



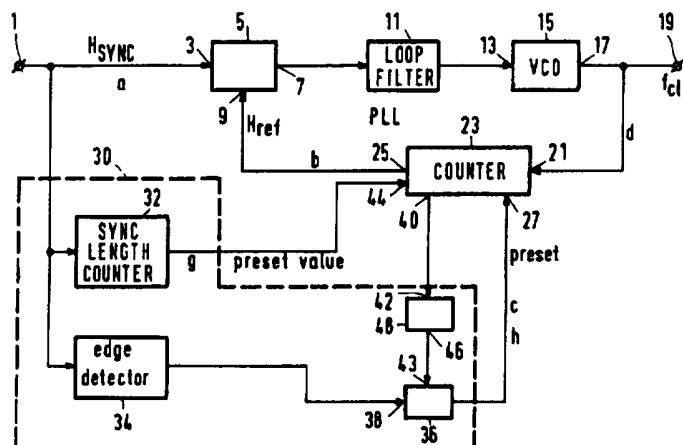
INTERNATIONAL APPLICATION PUBLISHED UNDER THE PATENT COOPERATION TREATY (PCT)

| | | |
|---|------------------|--|
| <p>(51) International Patent Classification ⁶ : H04N 5/12</p> | <p>A3</p> | <p>(11) International Publication Number: WO 96/26604 (43) International Publication Date: 29 August 1996 (29.08.96)</p> |
| <p>(21) International Application Number: PCT/IB96/00078 (22) International Filing Date: 29 January 1996 (29.01.96) (30) Priority Data: 95200403.4 20 February 1995 (20.02.95) EP (34) Countries for which the regional or international application was filed: NL et al. (71) Applicant: PHILIPS ELECTRONICS N.V. [NL/NL]; Groenewoudseweg 1, N-5621 BA Eindhoven (NL). (71) Applicant (for SE only): PHILIPS NORDEN AB [SE/SE]; Kottbygatan 5, Kista, S-164 85 Stockholm (SE). (72) Inventor: GEERLINGS, Jurgen, Holger, Titus; 47 Ambrose Road, Tadley, Hants RG26 6JS (GB). (74) Agent: VAN DER KRUK, Willem, L.; Internationaal Octrooibureau B.V., P.O. Box 220, NL-5600 AE Eindhoven (NL).</p> | | <p>(81) Designated States: JP, European patent (AT, BE, CH, DE, DK, ES, FR, GB, GR, IE, IT, LU, MC, NL, PT, SE). Published <i>With international search report.</i> <i>Before the expiration of the time limit for amending the claims and to be republished in the event of the receipt of amendments.</i> (88) Date of publication of the international search report: 31 October 1996 (31.10.96)</p> |

(54) Title: DEVICE FOR DERIVING A CLOCK SIGNAL FROM A SYNCHRONIZING SIGNAL AND A VIDEO RECORDER PROVIDED WITH THE DEVICE

(57) Abstract

A device for deriving a clock signal having a specific frequency (f_{cl}) from a synchronizing signal (H_{sync}) derived from an electrical signal, for example a video signal, comprises: an input terminal (1) for receiving the synchronizing signal; a phase comparator (5) having a first input coupled to the input terminal, a second input and an output; a voltage controlled oscillator (15) having an input coupled to the output of the phase comparator and an output; counter means (23) having a first input coupled to the output of the voltage controlled oscillator, a second input for receiving a preset control signal and an output coupled to the second input of the phase comparator; preset control signal generator means (30) having an input coupled to the input terminal and an output coupled to the second input of the counter means, the counter means being adapted to set its count value to a preset value in response to the preset control signal applied to its preset control signal input. The preset control signal generator means comprises: window signal generator means (48) for determining a window signal in response to a specified count value of the counter means; detector means (34, 36) for detecting whether at least one edge in the synchronizing signal falls outside a time interval defined by the window signal and for generating said preset control signal in response to said detection, said detector means having an input coupled to the input of the preset control signal generator means and an output coupled to the output of said preset control signal generator means.



FOR THE PURPOSES OF INFORMATION ONLY

Codes used to identify States party to the PCT on the front pages of pamphlets publishing international applications under the PCT.

| | | | | | |
|-----------|--------------------------|-----------|--|-----------|--------------------------|
| AM | Armenia | GB | United Kingdom | MW | Malawi |
| AT | Austria | GE | Georgia | MX | Mexico |
| AU | Australia | GN | Guinea | NE | Niger |
| BB | Barbados | GR | Greece | NL | Netherlands |
| BE | Belgium | HU | Hungary | NO | Norway |
| BF | Burkina Faso | IE | Ireland | NZ | New Zealand |
| BG | Bulgaria | IT | Italy | PL | Poland |
| BJ | Benin | JP | Japan | PT | Portugal |
| BR | Brazil | KE | Kenya | RO | Romania |
| BY | Belarus | KG | Kyrgystan | RU | Russian Federation |
| CA | Canada | KP | Democratic People's Republic of Korea | SD | Sudan |
| CF | Central African Republic | KR | Republic of Korea | SE | Sweden |
| CG | Congo | KZ | Kazakhstan | SG | Singapore |
| CH | Switzerland | LI | Liechtenstein | SI | Slovenia |
| CI | Côte d'Ivoire | LR | Liberia | SK | Slovakia |
| CM | Cameroon | LK | Sri Lanka | SN | Senegal |
| CN | China | LR | Liberia | SZ | Swaziland |
| CS | Czechoslovakia | LT | Lithuania | TD | Chad |
| CZ | Czech Republic | LU | Luxembourg | TG | Togo |
| DE | Germany | LV | Latvia | TJ | Tajikistan |
| DK | Denmark | MC | Monaco | TT | Trinidad and Tobago |
| EE | Estonia | MD | Republic of Moldova | UA | Ukraine |
| ES | Spain | MG | Madagascar | UG | Uganda |
| FI | Finland | ML | Mali | US | United States of America |
| FR | France | MN | Mongolia | UZ | Uzbekistan |
| GA | Gabon | MR | Mauritania | VN | Viet Nam |

INTERNATIONAL SEARCH REPORT

Internauonal application No.

PCT/IB 96/00078

A. CLASSIFICATION OF SUBJECT MATTER

IPC6: H04N 5/12

According to International Patent Classification (IPC) or to both national classification and IPC

B. FIELDS SEARCHED

Minimum documentation searched (classification system followed by classification symbols)

IPC6: H04N

Documentation searched other than minimum documentation to the extent that such documents are included in the fields searched

Electronic data base consulted during the international search (name of data base and, where practicable, search terms used)

C. DOCUMENTS CONSIDERED TO BE RELEVANT

| Category* | Citation of document, with indication, where appropriate, of the relevant passages | Relevant to claim No. |
|-----------|---|-----------------------|
| Y | US 5043966 A (B.A.M. ZWAANS), 27 August 1991 (27.08.91), figure 7, abstract -- | 1-3 |
| Y | EP 0555569 A1 (INTERNATIONAL BUSINESS MACHINES CORPORATION), 18 August 1993 (18.08.93), column 2, line 56 - column 3, line 36; column 3, line 48 - line 51, figure 1 -- ----- | 1-3 |

 Further documents are listed in the continuation of Box C.
 See patent family annex.

* Special categories of cited documents:

- "A" document defining the general state of the art which is not considered to be of particular relevance
- "E" earlier document but published on or after the international filing date
- "L" document which may throw doubts on priority claim(s) or which is cited to establish the publication date of another citation or other special reason (as specified)
- "O" document referring to an oral disclosure, use, exhibition or other means
- "P" document published prior to the international filing date but later than the priority date claimed

"T" later document published after the international filing date or priority date and not in conflict with the application but cited to understand the principle or theory underlying the invention

"X" document of particular relevance: the claimed invention cannot be considered novel or cannot be considered to involve an inventive step when the document is taken alone

"Y" document of particular relevance: the claimed invention cannot be considered to involve an inventive step when the document is combined with one or more other such documents, such combination being obvious to a person skilled in the art

"&" document member of the same patent family

Date of the actual completion of the international search

20 Sept 1996

Date of mailing of the international search report

23.09.1996

Name and mailing address of the ISA/

Swedish Patent Office
Box 5055, S-102 42 STOCKHOLM
Facsimile No. +46 8 666 02 86

Authorized officer

Bengt Jonsson
Telephone No. +46 8 782 25 00

INTERNATIONAL SEARCH REPORT

Information on patent family members

05/09/96

International application No.

PCT/IB 96/00078

| Patent document cited in search report | Publication date | Patent family member(s) | Publication date |
|---|---------------------|---|--|
| US-A- 5043966 | 27/08/91 | DE-T- 68906305 EP-A,B- 0343724 JP-A- 2025183 NL-A- 8801340 | 25/11/93 29/11/89 26/01/90 18/12/89 |
| EP-A1- 0555569 | 18/08/93 | CA-A- 2089307 JP-A- 6006758 US-A- 5450137 | 12/08/94 14/01/94 12/09/95 |