



US00D810294S

(12) **United States Design Patent**
Messinger

(10) **Patent No.:** **US D810,294 S**

(45) **Date of Patent:** **** Feb. 13, 2018**

(54) **BONE IMPLANT**

(71) Applicant: **Betzalel Messinger**, Bet Shemesh (IL)

(72) Inventor: **Betzalel Messinger**, Bet Shemesh (IL)

(**) Term: **15 Years**

(21) Appl. No.: **29/548,526**

(22) Filed: **Dec. 15, 2015**

(51) **LOC (11) Cl.** **24-02**

(52) **U.S. Cl.**
USPC **D24/155**

(58) **Field of Classification Search**
USPC D24/155-157
CPC A61C 8/00; A61C 8/0089; A61C 8/0069;
A61C 8/0054; A61C 8/0096; A61C
8/0039; A61C 8/0063; A61C 8/006; A61C
8/0001; A61C 8/0012; A61C 8/0075;
A61C 8/0083; A61C 13/225
See application file for complete search history.

(56) **References Cited**

U.S. PATENT DOCUMENTS

D317,200 S *	5/1991	Jorneus	D24/156
5,788,494 A *	8/1998	Phimmasone	A61C 9/002
			433/173
D428,653 S *	7/2000	Bergstrom	D24/156
6,126,445 A *	10/2000	Willoughby	A61C 8/0001
			433/172
D577,122 S *	9/2008	Aldecoa	D24/156

D620,117 S *	7/2010	Dawson	D24/156
D665,910 S *	8/2012	Hung	D24/156
D666,295 S *	8/2012	Hung	D24/156
D717,435 S *	11/2014	Park	D24/156
D717,436 S *	11/2014	Park	D24/156
D765,856 S *	9/2016	Schoene	D24/156
2010/0330530 A1 *	12/2010	Menzel	A61C 8/0018
			433/173

* cited by examiner

Primary Examiner — Charles Hanson

(74) *Attorney, Agent, or Firm* — Mark M. Friedman

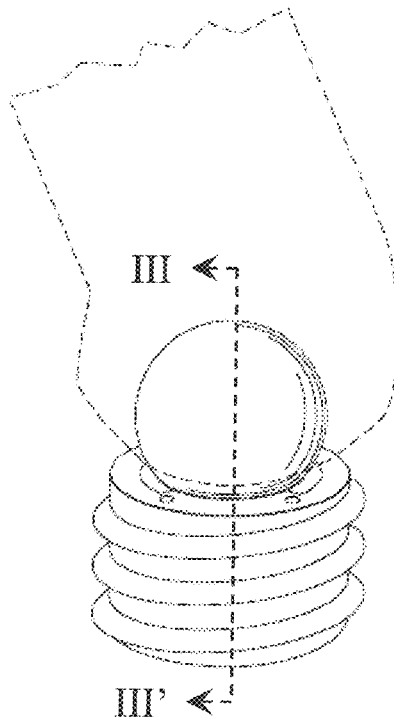
(57) **CLAIM**

The ornamental design for the bone implant, as shown and described.

DESCRIPTION

FIG. 1 is a from isometric view of a bone implant showing my design;
 FIG. 2 is a front view thereof;
 FIG. 3 is a cross-sectional view thereof taken along line III-III' of FIG. 1;
 FIG. 4 is a cross-sectional view thereof taken along line IV-IV' of FIG. 5;
 FIG. 5 is a top view thereof;
 FIG. 6 is a bottom view thereof; and,
 FIG. 7 is a bottom isometric view thereof.
 Any broken line illustration of environmental structure in the drawings is not part of the design sought to be patented.

1 Claim, 3 Drawing Sheets



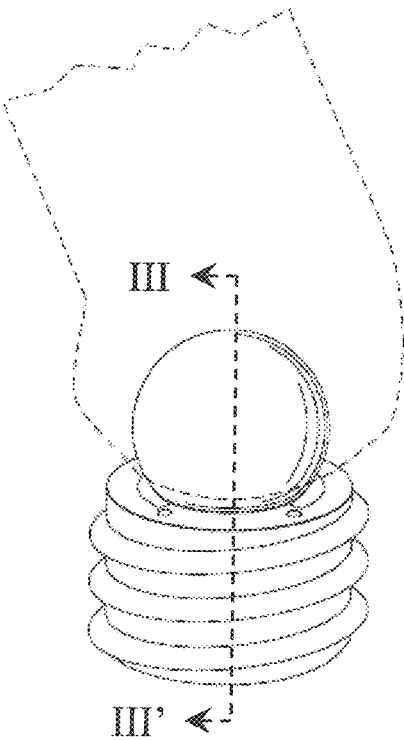


Fig. 1

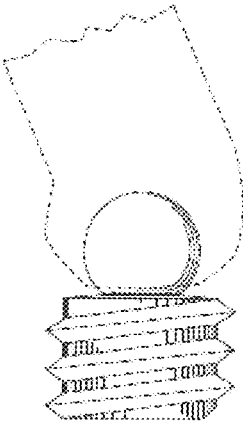


Fig. 2

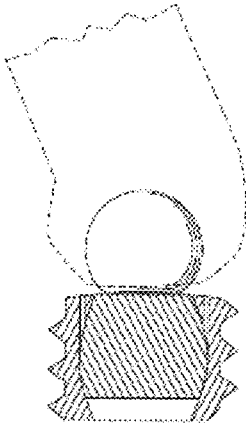


Fig. 3

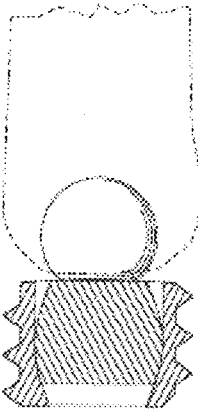


Fig. 4

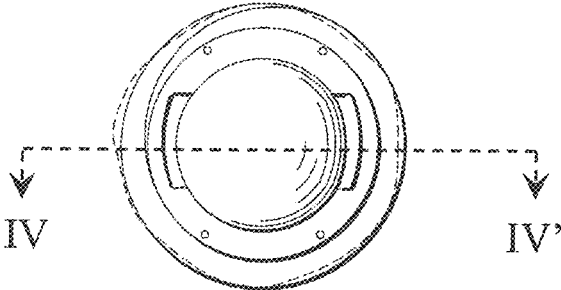


Fig. 5

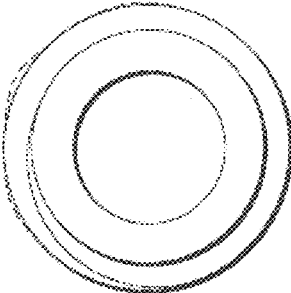


Fig. 6

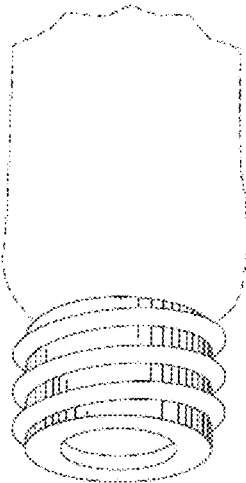


Fig. 7