



US00D660690S

(12) **United States Design Patent**
Mixides

(10) **Patent No.:** **US D660,690 S**

(45) **Date of Patent:** **** May 29, 2012**

(54) **CLIP**

(75) Inventor: **Anthony Mixides**, London (GB)

(73) Assignee: **Arcade International Limited**, London (GB)

(**) Term: **14 Years**

(21) Appl. No.: **29/387,470**

(22) Filed: **Mar. 14, 2011**

(51) **LOC (9) Cl.** **14-03**

(52) **U.S. Cl.** **D8/396**

(58) **Field of Classification Search** D8/354,
D8/356, 371, 394-396; D19/65, 86; D24/128;
248/74.2, 215, 227.1, 49, 300, 301, 316.7,
248/51, 489; 24/570, 3.12; D3/203.2, 203.3;
D21/392

See application file for complete search history.

(56) **References Cited**

U.S. PATENT DOCUMENTS

1,044,772	A *	11/1912	Gilbough	362/396
2,723,431	A *	11/1955	Di Renzo	24/301
3,033,412	A *	5/1962	Fox	220/23.4
3,253,084	A *	5/1966	Taylor	174/138 G
3,521,332	A *	7/1970	Kramer	403/188
3,596,859	A *	8/1971	MacDonald	248/214
D253,457	S *	11/1979	Sandel	D8/395
4,244,542	A *	1/1981	Mathews	248/49
4,306,697	A *	12/1981	Mathews	248/68.1
D262,689	S *	1/1982	Beck	D8/396
D267,231	S *	12/1982	Guem, Jr.	D8/395
D295,724	S *	5/1988	Shioda	D8/396
D295,725	S *	5/1988	Shioda	D8/396
D296,074	S *	6/1988	Seyfarth	D8/380
D298,739	S *	11/1988	Richards, Jr.	D8/395
4,883,290	A *	11/1989	Landa	280/814
D340,378	S *	10/1993	Schon	D6/580
5,288,047	A *	2/1994	Pan	248/229.26
D363,017	S *	10/1995	Noble	D8/395

D363,211	S *	10/1995	Noble	D8/395
D375,890	S *	11/1996	Takai	D8/380
5,697,591	A *	12/1997	Cooper	248/229.16
5,806,669	A *	9/1998	Kim	206/228
D440,005	S *	4/2001	Blanton	D26/138
7,886,406	B2 *	2/2011	Chang	16/252
D639,892	S *	6/2011	Hendricks	D22/109

* cited by examiner

Primary Examiner — John Windmuller

(74) *Attorney, Agent, or Firm* — Reinhart Boerner Van Deuren s.c.

(57) **CLAIM**

The ornamental design for a clip, as shown and described.

DESCRIPTION

FIG. 1 is an isometric view of a clip showing my design from a first end, the top, and a first side;

FIG. 2 is a top plan view of the clip illustrated in FIG. 1;

FIG. 3 is a bottom plan view of the clip illustrated in FIGS. 1 and 2;

FIG. 4 is a first side elevational view of the clip illustrated in FIGS. 1 through 3;

FIG. 5 is a second side elevational view of the clip illustrated in FIGS. 1 through 4 from a second side of the clip opposite the first side illustrated in FIG. 4;

FIG. 6 is an isometric view of the clip illustrated in FIGS. 1 through 5 from the top, the first side, and the first end;

FIG. 7 is an isometric view of the clip illustrated in FIGS. 1 through 6 from the top, the second side, and a second end opposite the first end;

FIG. 8 is an isometric view of the clip illustrated in FIGS. 1 through 7 from the side and above, with a bottle upon which the clip is mounted and a firework supported by the clip shown in phantom for illustrative purposes only and forming no part of the claimed design; and,

FIG. 9 is an end elevational view of the clip illustrated in FIGS. 1 through 8 from the first end.

1 Claim, 2 Drawing Sheets

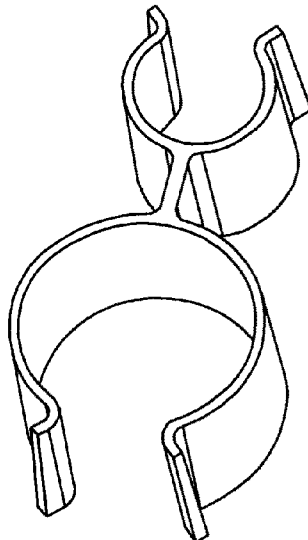


FIG. 1

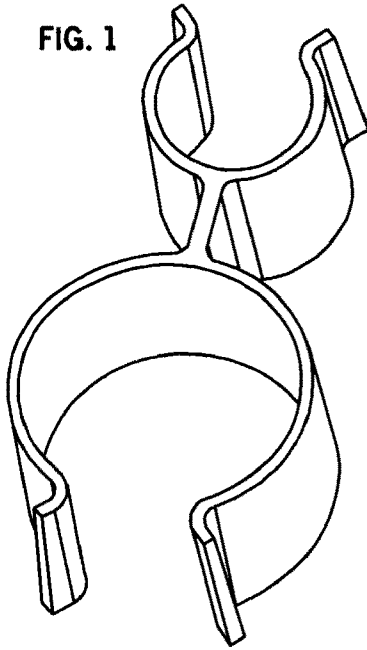


FIG. 2

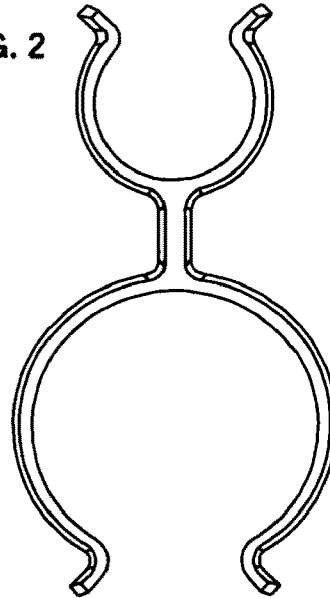


FIG. 3

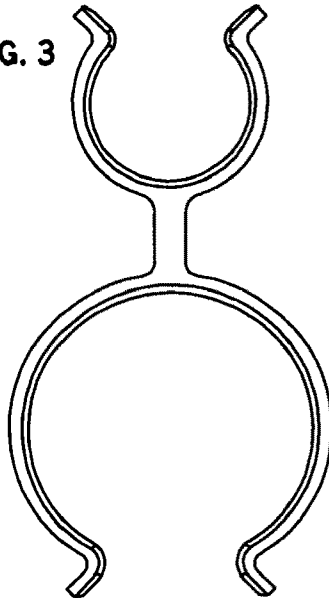


FIG. 4

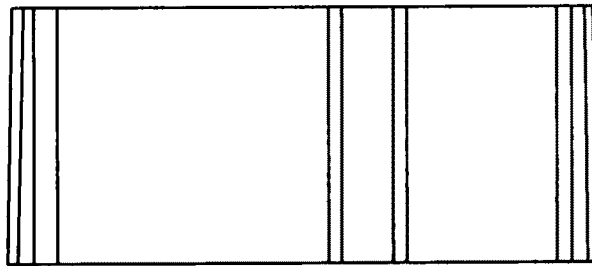


FIG. 5

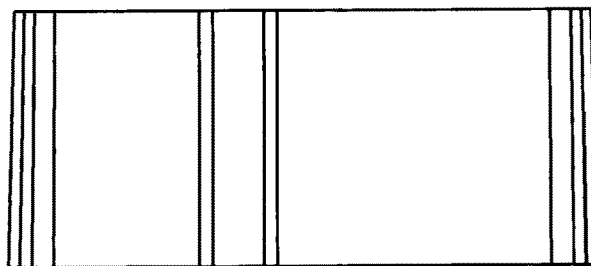


FIG. 6

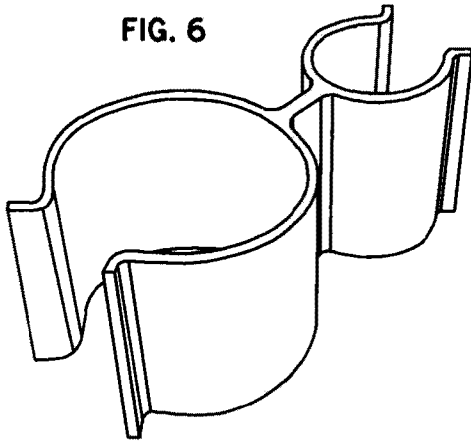


FIG. 7

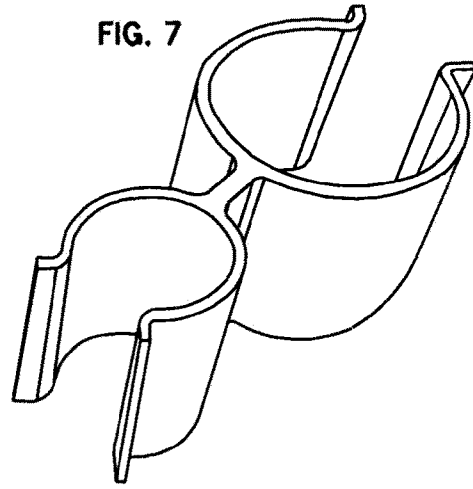


FIG. 8

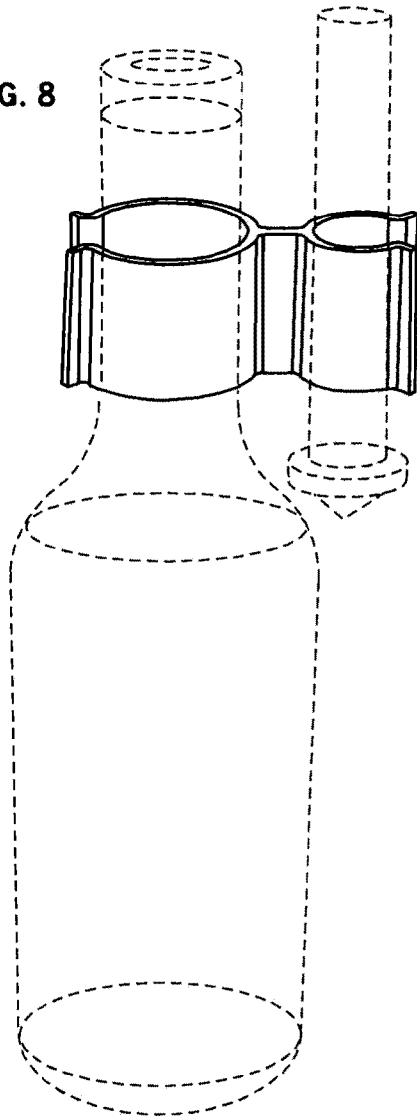


FIG. 9

