



(12) **United States Design Patent**  
**Forbes et al.**

(10) **Patent No.:** **US D758,598 S**  
(45) **Date of Patent:** **\*\* Jun. 7, 2016**

- (54) **KNEE BRACE**
- (71) Applicant: **OSSUR HF**, Reykjavik (IS)
- (72) Inventors: **James Forbes**, Costa Mesa, CA (US);  
**Brice Robertson**, Sunnyvale, CA (US)
- (73) Assignee: **OSSUR HF**, Reykjavik (IS)
- (\*\*) Term: **14 Years**
- (21) Appl. No.: **29/493,914**
- (22) Filed: **Jun. 16, 2014**

3,945,046 A 3/1976 Stromgren  
 4,064,874 A \* 12/1977 Valin ..... A61F 5/0123  
 2/22  
 4,084,584 A 4/1978 Detty  
 (Continued)

**FOREIGN PATENT DOCUMENTS**

CA 2 038 948 A1 2/1991  
 DE 30 28 381 A1 2/1982  
 (Continued)

**OTHER PUBLICATIONS**

Catalog: Ossur, "Ossur is Orthopaedic Solutions", www.ossur.com, 9 pages 2008.

(Continued)

**Related U.S. Application Data**

- (60) Division of application No. 29/435,121, filed on Oct. 19, 2012, now Pat. No. Des. 710,018, which is a continuation-in-part of application No. 29/397,987, filed on Jul. 25, 2011, now abandoned.
- (51) **LOC (10) Cl.** ..... **24-04**
- (52) **U.S. Cl.**  
USPC ..... **D24/190**
- (58) **Field of Classification Search**  
USPC ..... D24/188-190; D29/121.1  
CPC ..... A61F 2005/0176; A61F 5/0123; A61F  
13/085  
See application file for complete search history.

*Primary Examiner* — George D Kirschbaum  
*Assistant Examiner* — Jennifer Watkins  
 (74) *Attorney, Agent, or Firm* — Workman Nydegger

(57) **CLAIM**  
 The ornamental design for a knee brace, as shown and described.

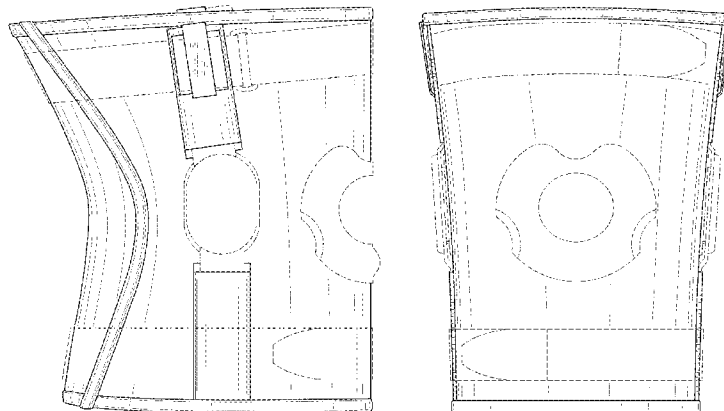
**DESCRIPTION**

FIG. 1 is a first side elevational view of a second embodiment of a knee brace, showing our design.  
 FIG. 2 is a front elevational view of the knee brace embodiment of FIG. 1.  
 FIG. 3 is a rear elevational view of the knee brace embodiment of FIG. 1.  
 FIG. 4 is a second side elevational view of the knee brace embodiment of FIG. 1.  
 FIG. 5 is a top view of the knee brace embodiment of FIG. 1; and,  
 FIG. 6 is a bottom view of the knee brace embodiment of FIG. 1.  
 The broken lines are included for the purpose of illustrating environmental structure and form no part of the claimed design.

(56) **References Cited**  
**U.S. PATENT DOCUMENTS**

116,236 A	6/1871	Stites
663,749 A	12/1900	Gorse
940,585 A	11/1909	Drennan
2,188,718 A	1/1940	Jung
2,524,326 A	10/1950	Murphy
3,046,981 A	7/1962	Biggs, Jr. et al.
3,084,685 A	4/1963	Lewis
3,406,406 A	10/1968	Lutz
3,789,842 A	2/1974	Froimson

**1 Claim, 3 Drawing Sheets**



(56)

References Cited

U.S. PATENT DOCUMENTS

4,099,269 A 7/1978 Porner  
 4,116,236 A 9/1978 Albert  
 4,201,203 A 5/1980 Applegate  
 4,287,885 A 9/1981 Applegate  
 4,296,744 A 10/1981 Palumbo  
 4,370,978 A \* 2/1983 Palumbo ..... A61F 13/062  
 602/26  
 4,425,912 A 1/1984 Harper  
 4,445,505 A 5/1984 Labour et al.  
 4,474,573 A 10/1984 Detty  
 4,479,272 A 10/1984 Beldzisky  
 4,607,628 A 8/1986 Dashefsky  
 4,632,106 A 12/1986 Gamm  
 4,822,371 A 4/1989 Jolly et al.  
 4,870,956 A 10/1989 Fatool et al.  
 4,908,037 A 3/1990 Ross  
 4,941,462 A 7/1990 Lindberg  
 5,024,216 A 6/1991 Shiono  
 5,139,477 A 8/1992 Peters  
 5,154,690 A 10/1992 Shiono  
 5,168,577 A 12/1992 Detty  
 5,263,923 A 11/1993 Fujimoto  
 5,277,697 A 1/1994 France et al.  
 5,367,708 A 11/1994 Fujimoto  
 5,382,223 A 1/1995 Springs  
 5,399,153 A 3/1995 Caprio, Jr. et al.  
 5,407,421 A \* 4/1995 Goldsmith ..... A61F 5/012  
 128/882  
 5,417,646 A 5/1995 Gauvry  
 5,419,161 A 5/1995 Bodenschatz et al.  
 5,462,517 A 10/1995 Mann  
 5,474,524 A 12/1995 Carey  
 5,593,454 A 1/1997 Helmy  
 5,603,122 A 2/1997 Kania  
 5,643,185 A 7/1997 Watson et al.  
 5,695,452 A 12/1997 Grim et al.  
 5,759,167 A 6/1998 Shields, Jr. et al.  
 5,792,084 A 8/1998 Wilson et al.  
 5,823,981 A 10/1998 Grim et al.  
 5,865,166 A 2/1999 Fitzpatrick et al.  
 5,865,776 A 2/1999 Springs  
 5,865,777 A 2/1999 Detty  
 D406,677 S 3/1999 Koschmann et al.  
 5,925,101 A 7/1999 Bayless et al.  
 5,944,682 A 8/1999 Milana-Panopoulos  
 6,063,048 A 5/2000 Bodenschatz et al.  
 6,080,121 A 6/2000 Madow et al.  
 6,149,690 A 11/2000 Belzidsky  
 6,238,360 B1 \* 5/2001 Gildersleeve ..... A61F 5/012  
 602/16  
 6,287,269 B1 9/2001 Osti et al.  
 6,551,264 B1 4/2003 Cawley et al.  
 6,592,539 B1 7/2003 Einarsson et al.  
 D510,140 S 9/2005 Brown  
 7,004,919 B2 2/2006 Gaylord et al.  
 7,060,045 B2 6/2006 Mason et al.

7,083,586 B2 8/2006 Simmons et al.  
 7,273,464 B2 9/2007 Reinhardt  
 D573,713 S 7/2008 Mueller et al.  
 7,615,022 B2 11/2009 Nordt, III et al.  
 7,708,708 B2 5/2010 Nordt, III et al.  
 7,713,225 B2 5/2010 Ingimundarson et al.  
 D618,358 S 6/2010 Avitable et al.  
 7,749,181 B2 7/2010 Simmons et al.  
 7,819,830 B2 10/2010 Sindel et al.  
 7,862,528 B2 1/2011 Scott  
 7,862,529 B2 1/2011 Brown  
 7,867,183 B2 1/2011 Kazmierczak et al.  
 D634,851 S \* 3/2011 Chiang ..... D24/190  
 7,959,590 B2 6/2011 Scott  
 8,025,632 B2 \* 9/2011 Einarsson ..... A41D 13/1281  
 602/23  
 8,328,747 B2 \* 12/2012 Matsunaga ..... A61F 5/0106  
 602/16  
 D683,465 S 5/2013 Forbes et al.  
 D683,859 S 6/2013 Forbes et al.  
 D710,018 S \* 7/2014 Forbes ..... D24/190  
 D716,954 S \* 11/2014 Forbes ..... D24/190  
 D716,955 S \* 11/2014 Forbes ..... D24/190  
 8,911,389 B2 \* 12/2014 Reinhardt ..... A61F 5/0109  
 602/26  
 9,113,998 B2 \* 8/2015 Romo ..... A61F 5/0125  
 2001/0007929 A1 7/2001 Schlomski  
 2003/0083605 A1 5/2003 Edmund  
 2004/0153017 A1 8/2004 Simmons et al.  
 2004/0225245 A1 11/2004 Nelson  
 2005/0038367 A1 \* 2/2005 McCormick ..... A61F 5/0106  
 602/26  
 2006/0069337 A1 3/2006 Livolsi et al.  
 2006/0094999 A1 5/2006 Cropper  
 2008/0139985 A1 6/2008 Gilmour  
 2008/0300524 A1 12/2008 Scott  
 2009/0131844 A1 5/2009 Dean et al.  
 2009/0156973 A1 6/2009 Scott  
 2009/0312681 A1 12/2009 McSpadden et al.  
 2011/0137220 A1 6/2011 Vollbrecht et al.  
 2012/0165713 A1 6/2012 Forbes et al.

FOREIGN PATENT DOCUMENTS

DE 34 16 231 A1 11/1985  
 DE 35 19 677 A1 12/1986  
 EP 0 498 062 A1 8/1992  
 EP 0 835 645 A1 4/1998  
 EP 1 114 630 A1 7/2001  
 FR 2 606 998 A1 5/1988  
 WO 81/01240 A1 5/1981  
 WO 91/01704 A1 2/1991  
 WO 2006/073353 A1 7/2006

OTHER PUBLICATIONS

Partial International Search Report from International Application  
 No. PCT/US2011/065749, mailed Apr. 2, 2012.

\* cited by examiner

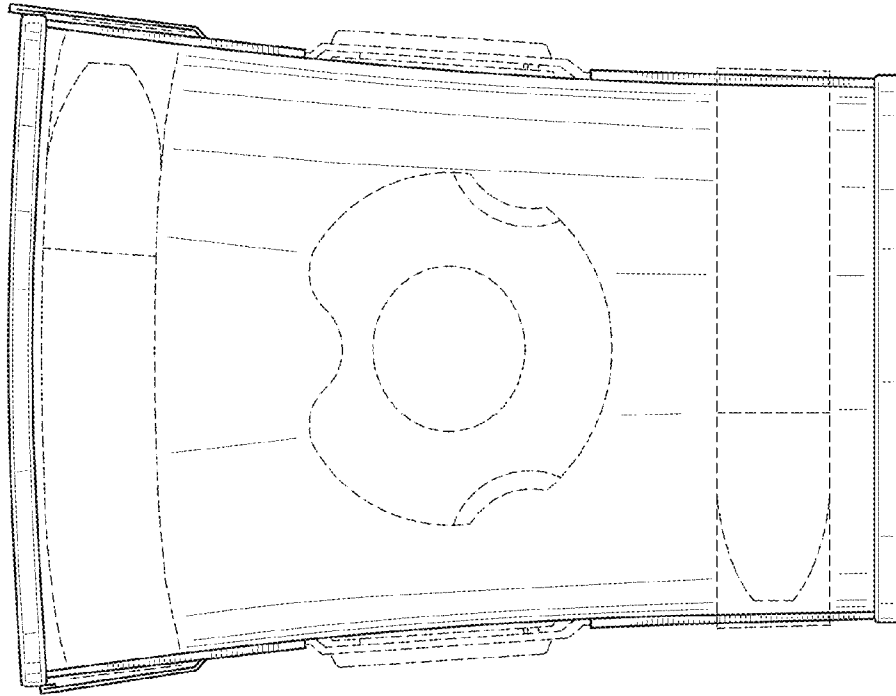


FIG. 2

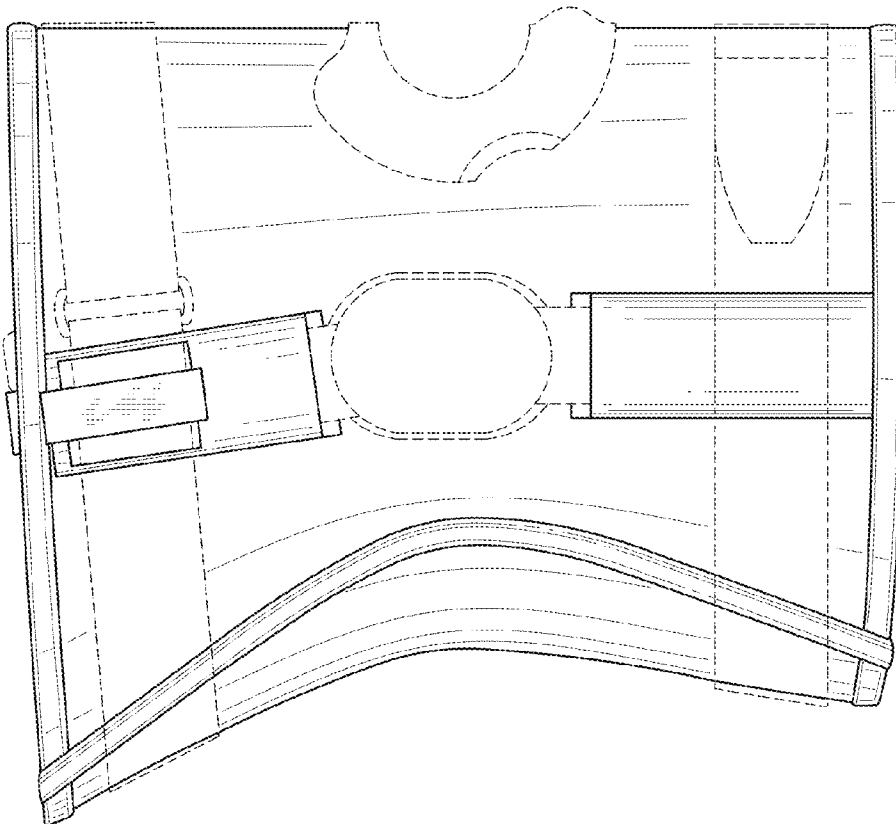


FIG. 1

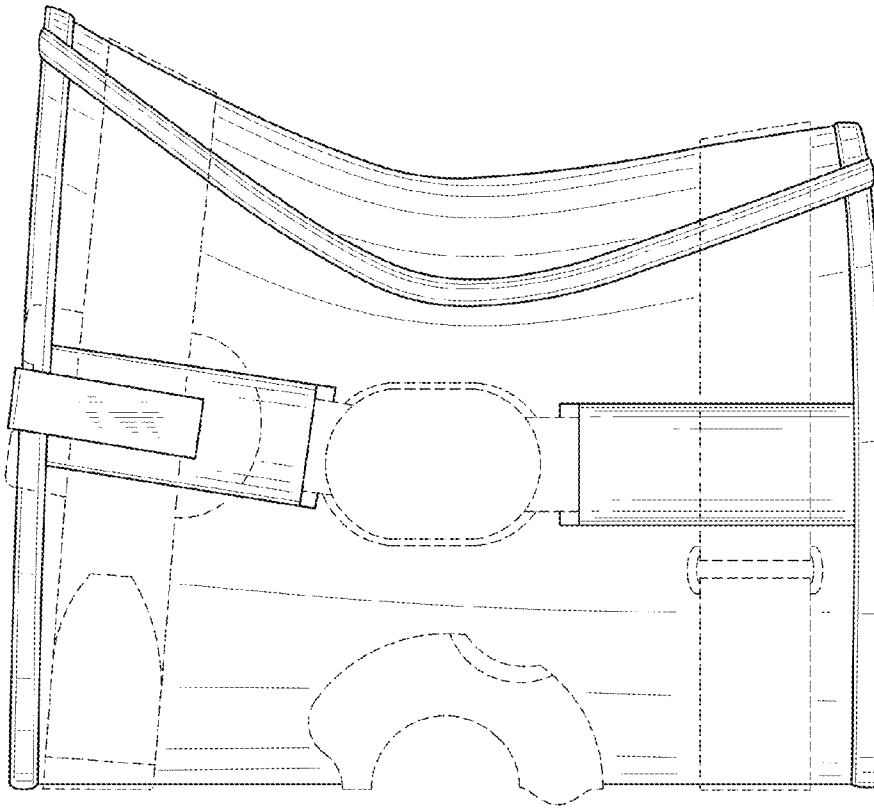


FIG. 4

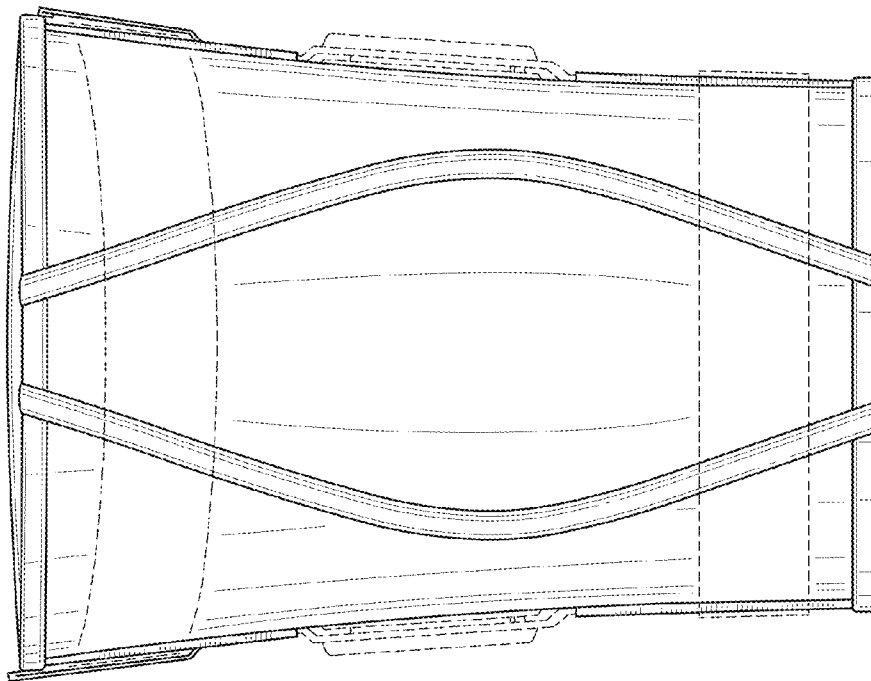


FIG. 3

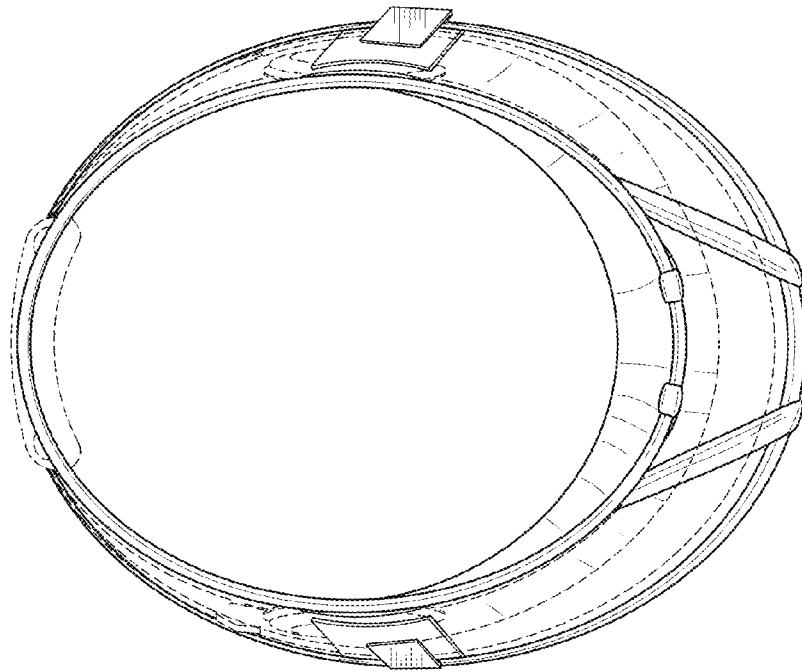


FIG. 6

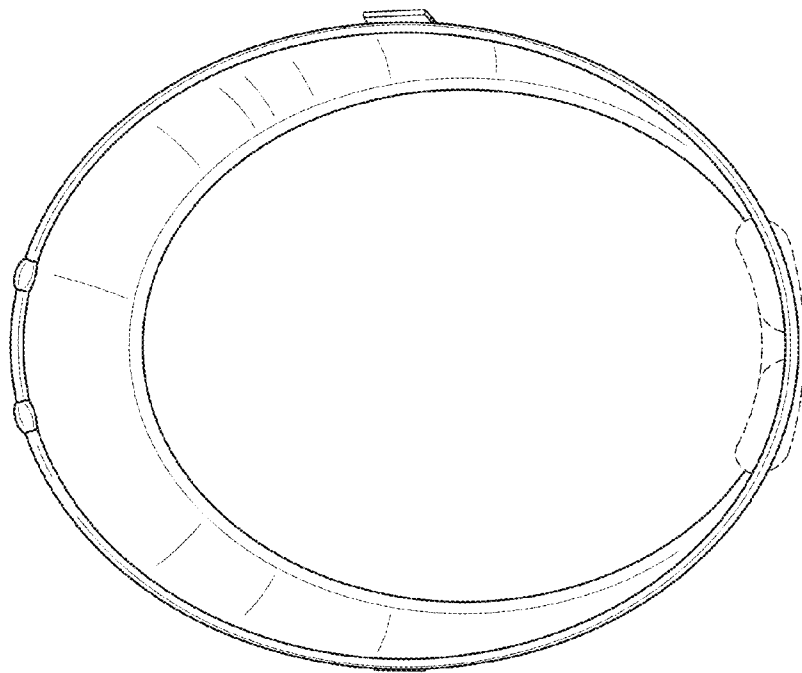


FIG. 5