



US00D577680S

(12) **United States Design Patent**
Shen et al.

(10) **Patent No.:** **US D577,680 S**

(45) **Date of Patent:** **** Sep. 30, 2008**

(54) **ELECTRICAL CONNECTOR**

(75) Inventors: **Guo-Jian Shen**, Kunshan (CN); **Koichi Iino**, Yokohama (JP)

(73) Assignee: **Hon Hai Precision Ind. Co., Ltd.**, Taipei Hsien (TW)

(**) Term: **14 Years**

(21) Appl. No.: **29/291,293**

(22) Filed: **Aug. 22, 2007**

(51) **LOC (8) Cl.** **13-03**

(52) **U.S. Cl.** **D13/147**

(58) **Field of Classification Search** D13/133,
D13/147, 153, 154, 184; 439/79, 607, 608,
439/609, 610, 660, 680, 681, 682, 686

See application file for complete search history.

(56) **References Cited**

U.S. PATENT DOCUMENTS

- D409,571 S * 5/1999 Sato et al. D13/147
- D455,127 S * 4/2002 Wu D13/147
- D488,447 S * 4/2004 Kuroki D13/147
- D489,039 S * 4/2004 Kawase et al. D13/147
- D489,687 S * 5/2004 Kawase et al. D13/147

- D490,377 S * 5/2004 Sato D13/147
- D513,494 S * 1/2006 Huang D13/147
- D517,489 S * 3/2006 Kawase et al. D13/147

* cited by examiner

Primary Examiner—Daniel D Bui
(74) *Attorney, Agent, or Firm*—Wei Te Chung

(57) **CLAIM**

The ornamental design for an electrical connector, as shown.

DESCRIPTION

FIG. 1 is a front, top and right side perspective view of an electrical connector showing our new design;

FIG. 2 is a front elevational view thereof;

FIG. 3 is a rear elevational view thereof;

FIG. 4 is a left side elevational view thereof;

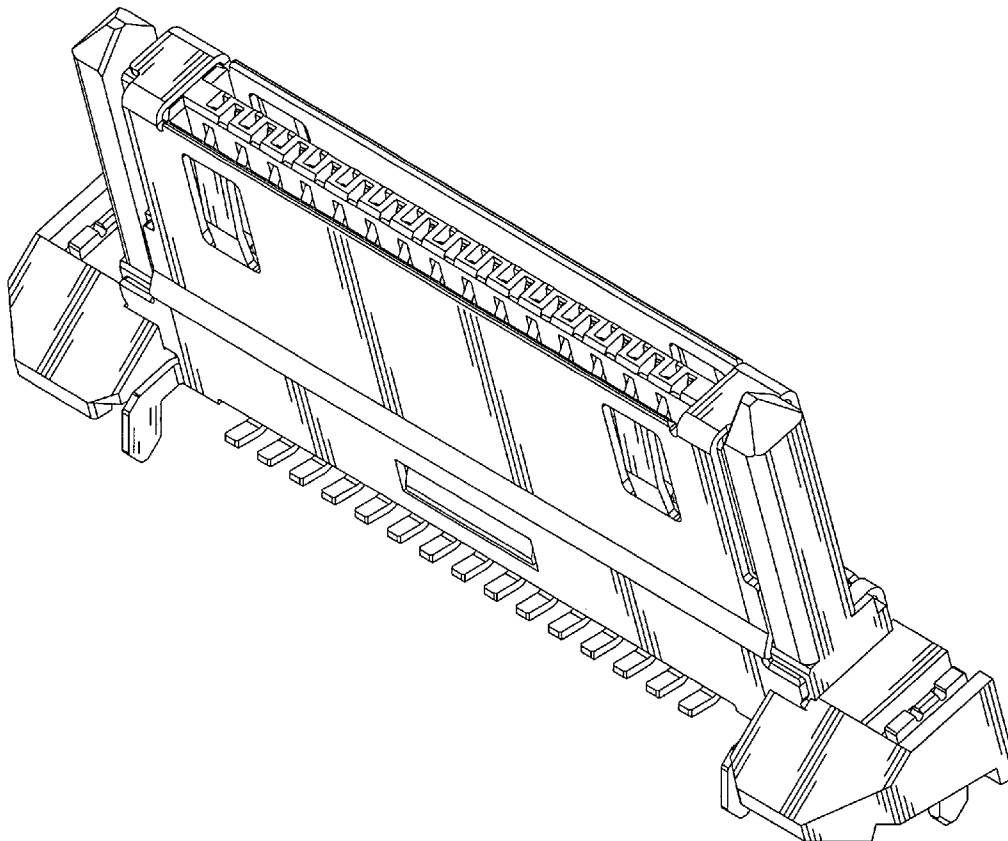
FIG. 5 is a right side elevational view thereof;

FIG. 6 is a top plan view thereof; and,

FIG. 7 is a bottom plan view thereof.

The broken line showing unclaimed internal elements is for illustrative purposes only and forms no part of the claimed design.

1 Claim, 7 Drawing Sheets



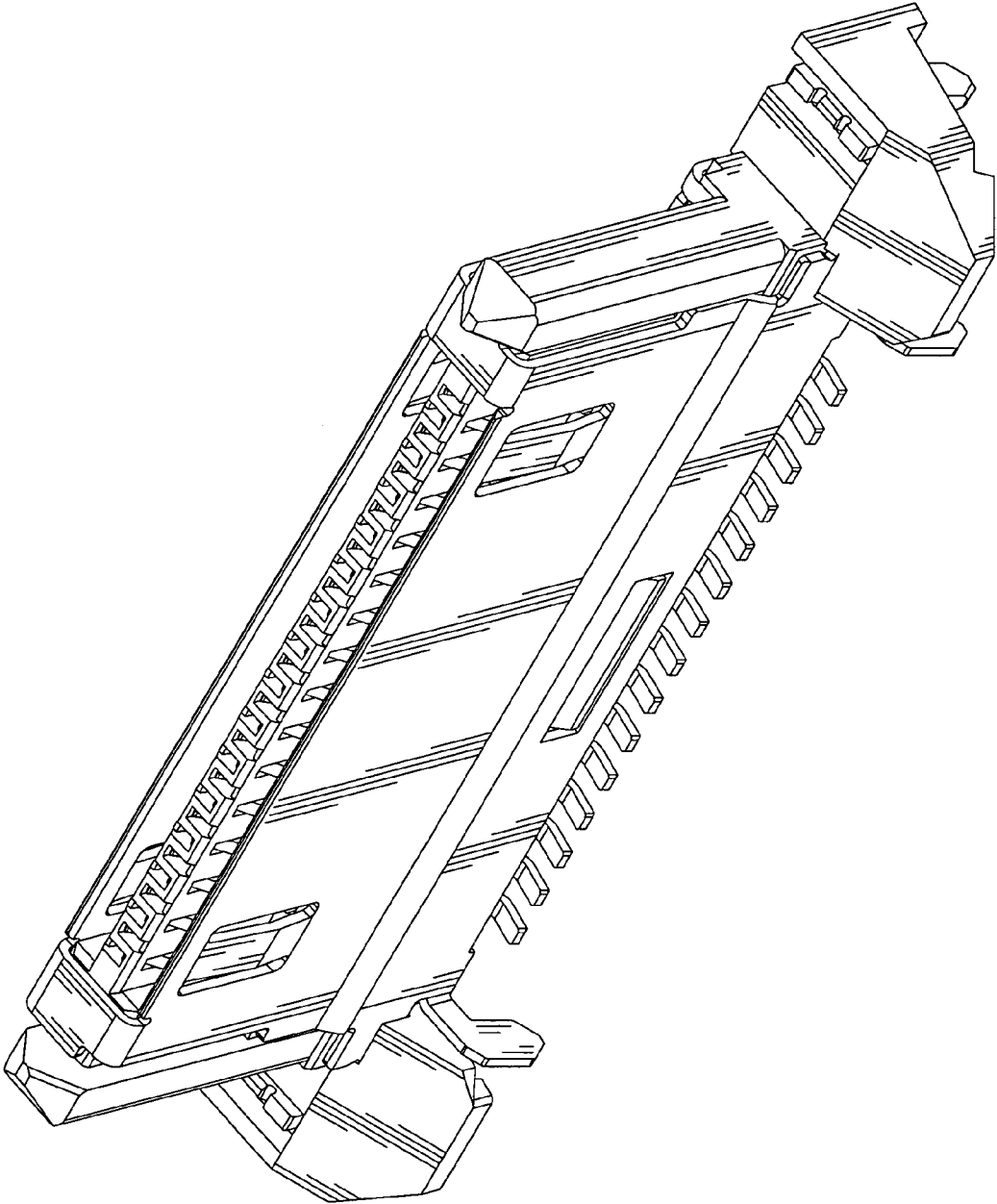


FIG. 1

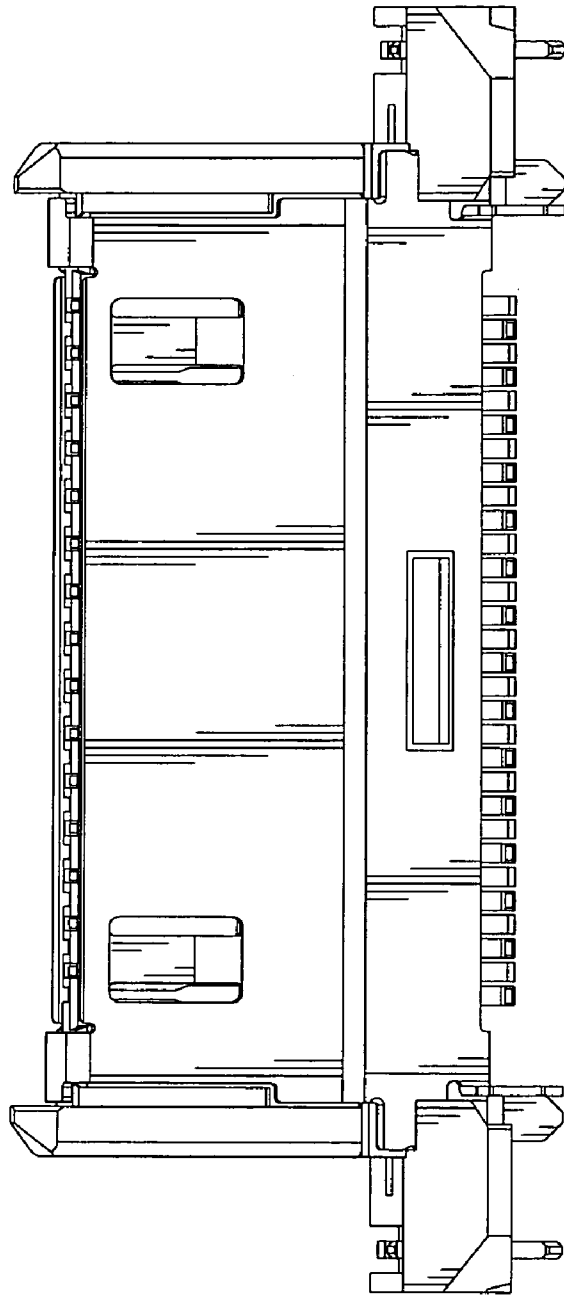


FIG. 2

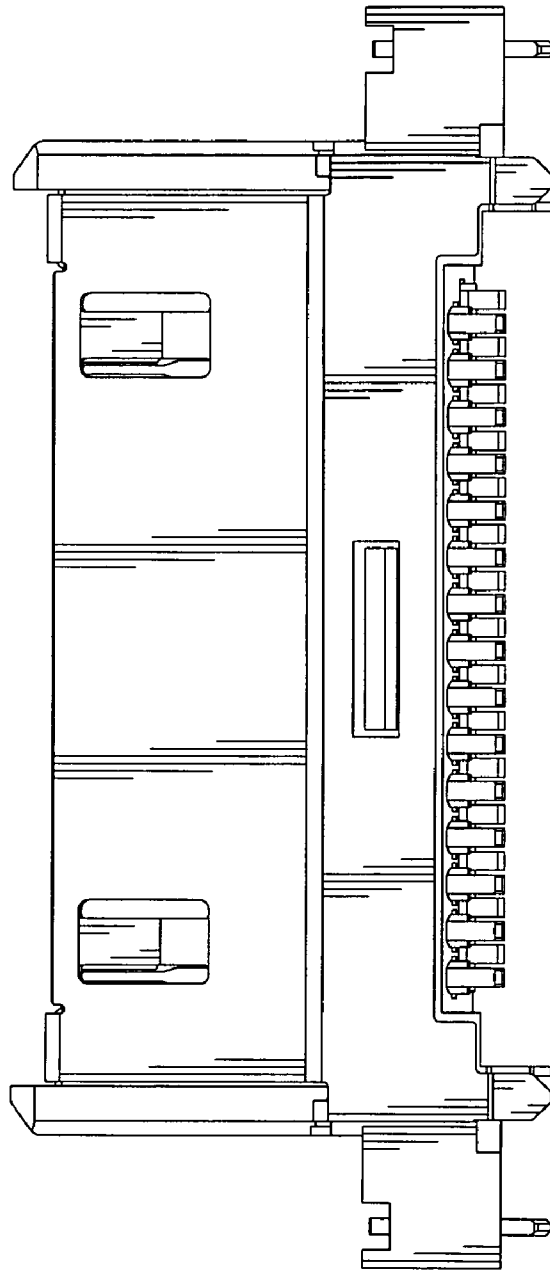


FIG. 3

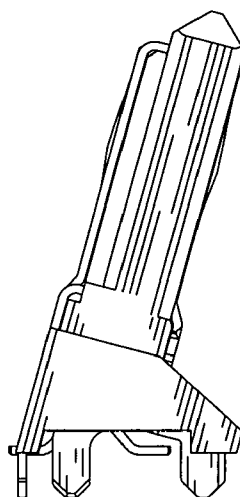


FIG. 4

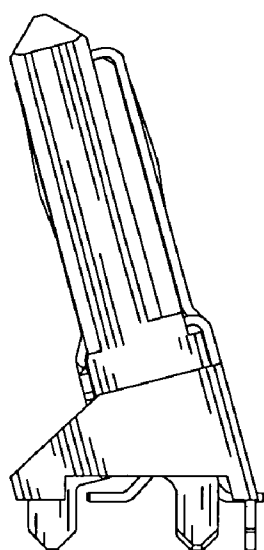


FIG. 5

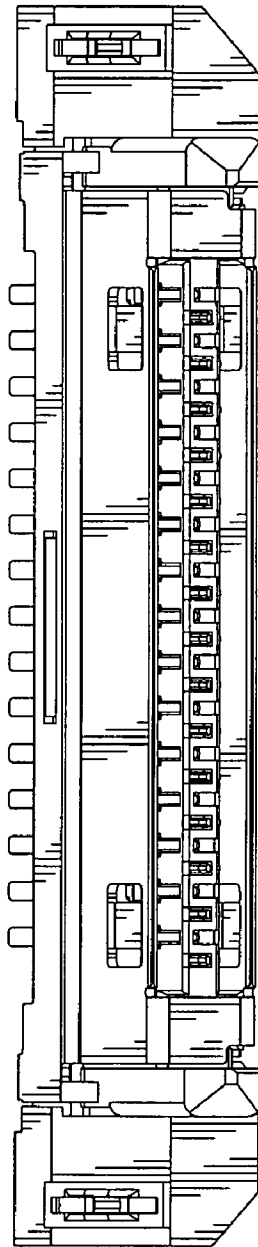


FIG. 6

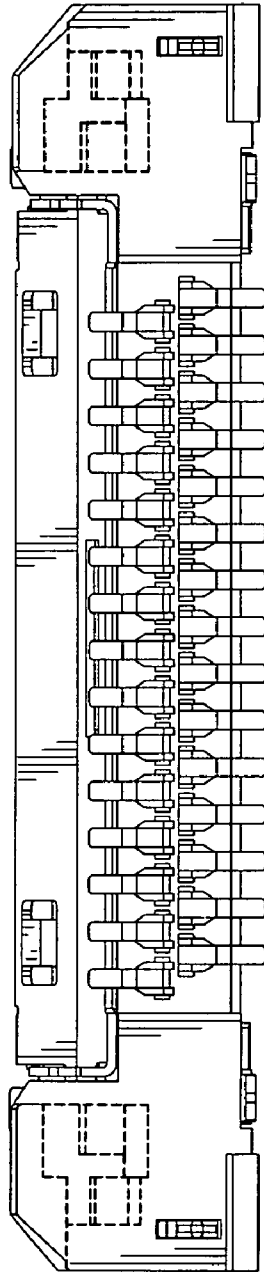


FIG. 7