



(51) International Patent Classification:  
A61J 3/07 (2006.01)

GAMBERINI, Ernesto [IT/IT]; Via Valleverde, 43/2, I-40067 Rastignano (IT).

(21) International Application Number:  
PCT/IB2010/001452

(74) Agent: JORIO, Paolo; c/o Studio Torta S.r.l., Via Viotti, 9, I-10121 Torino (IT).

(22) International Filing Date:  
15 June 2010 (15.06.2010)

(81) Designated States (unless otherwise indicated, for every kind of national protection available): AE, AG, AL, AM, AO, AT, AU, AZ, BA, BB, BG, BH, BR, BW, BY, BZ, CA, CH, CL, CN, CO, CR, CU, CZ, DE, DK, DM, DO, DZ, EC, EE, EG, ES, FI, GB, GD, GE, GH, GM, GT, HN, HR, HU, ID, IL, IN, IS, JP, KE, KG, KM, KN, KP, KR, KZ, LA, LC, LK, LR, LS, LT, LU, LY, MA, MD, ME, MG, MK, MN, MW, MX, MY, MZ, NA, NG, NI, NO, NZ, OM, PE, PG, PH, PL, PT, RO, RS, RU, SC, SD, SE, SG, SK, SL, SM, ST, SV, SY, TH, TJ, TM, TN, TR, TT, TZ, UA, UG, US, UZ, VC, VN, ZA, ZM, ZW.

(25) Filing Language: Italian

(26) Publication Language: English

(30) Priority Data:  
BO2009A000388 16 June 2009 (16.06.2009) IT

(71) Applicant (for all designated States except US): MG 2-S.r.l. [IT/IT]; Via Del Savena, 18, Località Pian di Macina, I-Pianoro (IT).

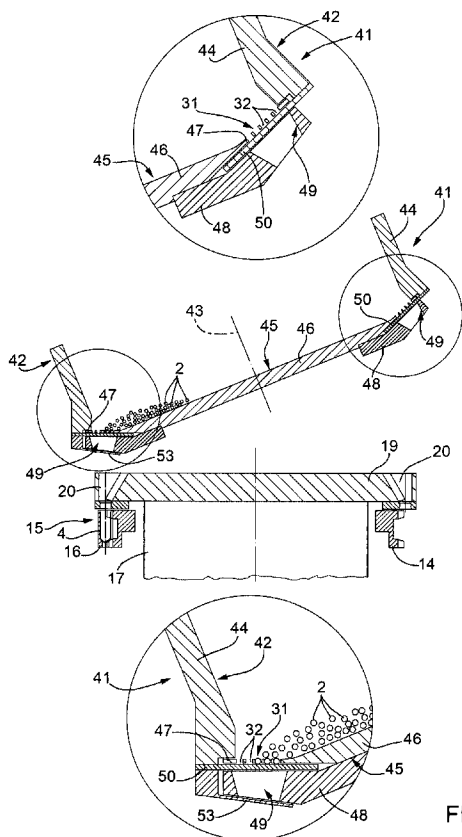
(72) Inventors; and

(75) Inventors/Applicants (for US only): FRABETTI, Davide [IT/IT]; Via Aledo, 14, I-40052 Baricella (IT).

(84) Designated States (unless otherwise indicated, for every kind of regional protection available): ARIPO (BW, GH, GM, KE, LR, LS, MW, MZ, NA, SD, SL, SZ, TZ, UG, ZM, ZW), Eurasian (AM, AZ, BY, KG, KZ, MD, RU, TJ, TM), European (AL, AT, BE, BG, CH, CY, CZ, DE, DK,

[Continued on next page]

(54) Title: FEEDING ASSEMBLY FOR METERING TABLETS INTO CAPSULES



(57) Abstract: A given number of tablets (2) are first loaded into relative metering holes (32) in a dispenser plate (24; 41) mounted to rotate about a longitudinal axis (25; 43) tilted with respect to a vertical direction (10), and are then unloaded into the bottom shell (4) of a capsule (3) from a feed channel (20) formed through a vibrating feed disk (19) mounted to rotate about a substantially vertical longitudinal axis (9).

FIG. 5



EE, ES, FI, FR, GB, GR, HR, HU, IE, IS, IT, LT, LU,  
LV, MC, MK, MT, NL, NO, PL, PT, RO, SE, SI, SK,  
SM, TR), OAPI (BF, BJ, CF, CG, CI, CM, GA, GN, GQ,  
GW, ML, MR, NE, SN, TD, TG).

— *before the expiration of the time limit for amending the  
claims and to be republished in the event of receipt of  
amendments (Rule 48.2(h))*

**Published:**

— *with international search report (Art. 21(3))*

**(88) Date of publication of the international search report:**

21 April 2011

# INTERNATIONAL SEARCH REPORT

International application No PCT/IB2010/001452
---

**A. CLASSIFICATION OF SUBJECT MATTER**  
 INV. A61J3/07  
 ADD.

According to International Patent Classification (IPC) or to both national classification and IPC

**B. FIELDS SEARCHED**

Minimum documentation searched (classification system followed by classification symbols)  
 A61J

Documentation searched other than minimum documentation to the extent that such documents are included in the fields searched

Electronic data base consulted during the international search (name of data base and, where practical, search terms used)

EPO-Internal

**C. DOCUMENTS CONSIDERED TO BE RELEVANT**

Category*	Citation of document, with indication, where appropriate, of the relevant passages	Relevant to claim No.
A	EP 1 982 687 A1 (MG2 S R L [IT]) 22 October 2008 (2008-10-22) figures 1,2 -----	1
A	DE 100 27 008 A1 (BOSCH GMBH ROBERT [DE]) 6 December 2001 (2001-12-06) paragraphs [0010] - [0019]; figures 1,2 -----	1
A	US 5 320 146 A (STEVIE JOHN W [US]) 14 June 1994 (1994-06-14) figures 1-4 -----	1
A	US 6 814 111 B1 (OLIVERIO FRANK G [US] ET AL) 9 November 2004 (2004-11-09) claim 6 -----	1

Further documents are listed in the continuation of Box C.

See patent family annex.

\* Special categories of cited documents :

- "A" document defining the general state of the art which is not considered to be of particular relevance
- "E" earlier document but published on or after the international filing date
- "L" document which may throw doubts on priority claim(s) or which is cited to establish the publication date of another citation or other special reason (as specified)
- "O" document referring to an oral disclosure, use, exhibition or other means
- "P" document published prior to the international filing date but later than the priority date claimed

- "T" later document published after the international filing date or priority date and not in conflict with the application but cited to understand the principle or theory underlying the invention
- "X" document of particular relevance; the claimed invention cannot be considered novel or cannot be considered to involve an inventive step when the document is taken alone
- "Y" document of particular relevance; the claimed invention cannot be considered to involve an inventive step when the document is combined with one or more other such documents, such combination being obvious to a person skilled in the art.
- "&" document member of the same patent family

Date of the actual completion of the international search

28 January 2011

Date of mailing of the international search report

09/02/2011

Name and mailing address of the ISA/

European Patent Office, P.B. 5818 Patentlaan 2  
 NL - 2280 HV Rijswijk  
 Tel. (+31-70) 340-2040,  
 Fax: (+31-70) 340-3016

Authorized officer

BirIanga Pérez, J

# INTERNATIONAL SEARCH REPORT

Information on patent family members

International application No  
PCT/IB2010/001452

Patent document cited in search report	Publication date	Patent family member(s)	Publication date	
EP 1982687	A1	22-10-2008	CN 101288625 A	22-10-2008
			JP 2008264549 A	06-11-2008
			US 2008256908 A1	23-10-2008
-----				
DE 10027008	A1	06-12-2001	CN 1325811 A	12-12-2001
			IT MI20011128 A1	29-11-2002
			US 2002002809 A1	10-01-2002
-----				
US 5320146	A	14-06-1994	DE 4490471 T0	21-12-1995
			WO 9416947 A1	04-08-1994
-----				
US 6814111	B1	09-11-2004	NONE	
-----				