

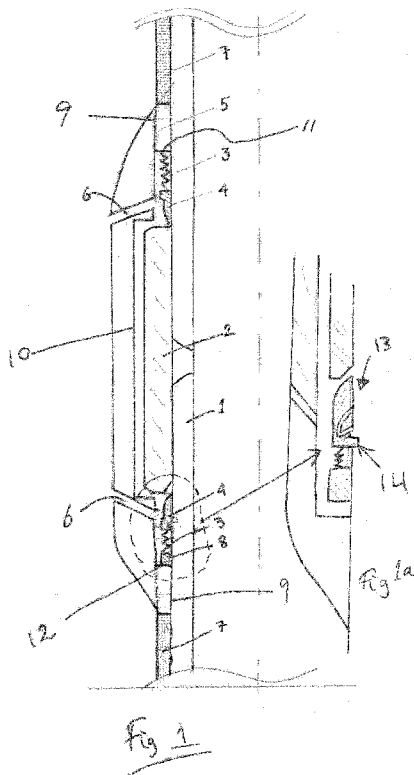


- (51) International Patent Classification:  
E21B 17/00 (2006.01)
- (21) International Application Number:  
PCT/EP2014/059178
- (22) International Filing Date:  
6 May 2014 (06.05.2014)
- (25) Filing Language: English
- (26) Publication Language: English
- (30) Priority Data:  
20130657 8 May 2013 (08.05.2013) NO
- (71) Applicant: ROXAR FLOW MEASUREMENT AS  
[NO/NO]; Postboks 112, N-4065 Stavanger (NO).
- (72) Inventor: BAUSTAD, Terje; Dronningåsen 75, N-4032 Stavanger (NO).
- (74) Agent: PROTECTOR IP CONSULTANTS AS;  
Oscarsgate 20, N-0352 Oslo (NO).

- (81) Designated States (unless otherwise indicated, for every kind of national protection available): AE, AG, AL, AM, AO, AT, AU, AZ, BA, BB, BG, BH, BN, BR, BW, BY, BZ, CA, CH, CL, CN, CO, CR, CU, CZ, DE, DK, DM, DO, DZ, EC, EE, EG, ES, FI, GB, GD, GE, GH, GM, GT, HN, HR, HU, ID, IL, IN, IR, IS, JP, KE, KG, KN, KP, KR, KZ, LA, LC, LK, LR, LS, LT, LU, LY, MA, MD, ME, MG, MK, MN, MW, MX, MY, MZ, NA, NG, NI, NO, NZ, OM, PA, PE, PG, PH, PL, PT, QA, RO, RS, RU, RW, SA, SC, SD, SE, SG, SK, SL, SM, ST, SV, SY, TH, TJ, TM, TN, TR, TT, TZ, UA, UG, US, UZ, VC, VN, ZA, ZM, ZW.
- (84) Designated States (unless otherwise indicated, for every kind of regional protection available): ARIPO (BW, GH, GM, KE, LR, LS, MW, MZ, NA, RW, SD, SL, SZ, TZ, UG, ZM, ZW), Eurasian (AM, AZ, BY, KG, KZ, RU, TJ, TM), European (AL, AT, BE, BG, CH, CY, CZ, DE, DK, EE, ES, FI, FR, GB, GR, HR, HU, IE, IS, IT, LT, LU, LV, MC, MK, MT, NL, NO, PL, PT, RO, RS, SE, SI, SK, SM, TR), OAPI (BF, BJ, CF, CG, CI, CM, GA, GN, GQ, GW, KM, ML, MR, NE, SN, TD, TG).

[Continued on next page]

(54) Title: CABLE PROTECTING DEVICE



(57) Abstract: This invention relates to a cable protecting device (5) for protecting cables (7) extending over a collar (2) on a pipeline (1), said collar extending around the circumference of the pipe and extending a known length outside said pipeline circumference, the collar having a first and second end surface, the cable protecting device (5) having a length in the direction of the pipeline being longer than the collar (2), and comprising a first recess along the inner surface for enclosing the cable (7) to be protected and a second recess in said inner surface for containing at least a part of the collar (2), the ends of said device at least partially covering the corresponding parts of the collar ends. The length of the second recess corresponds essentially to the length of the collar, each end of said second recess being provided with engaging means (4) adapted to engage with the corresponding end surface of the collar, thus fixing the protecting device (5) to the collar.

WO 2014/180816 A3



**Published:**

**(88) Date of publication of the international search report:**

9 April 2015

- *with international search report (Art. 21(3))*
- *before the expiration of the time limit for amending the claims and to be republished in the event of receipt of amendments (Rule 48.2(h))*

**INTERNATIONAL SEARCH REPORT**

International application No  
PCT/EP2014/059178

**A. CLASSIFICATION OF SUBJECT MATTER**  
INV. E21B17/00  
ADD.  
  
According to International Patent Classification (IPC) or to both national classification and IPC

**B. FIELDS SEARCHED**  
Minimum documentation searched (classification system followed by classification symbols)  
E21B  
  
Documentation searched other than minimum documentation to the extent that such documents are included in the fields searched

Electronic data base consulted during the international search (name of data base and, where practicable, search terms used)  
EPO-Internal, WPI Data

**C. DOCUMENTS CONSIDERED TO BE RELEVANT**

Category*	Citation of document, with indication, where appropriate, of the relevant passages	Relevant to claim No.
A	US 2011/006512 A1 (JAMES JODY [US] ET AL) 13 January 2011 (2011-01-13) page 2, paragraph 23; figure 3 -----	1-8
A	GB 2 415 932 A (SCHLUMBERGER HOLDINGS [VG]) 11 January 2006 (2006-01-11) figures 2,7 -----	1-8
A	GB 2 398 807 A (SCHLUMBERGER HOLDINGS [VG]) 1 September 2004 (2004-09-01) cited in the application figures 2,7 -----	1-8
A	GB 2 274 294 A (BAKER HUGHES INC [US]) 20 July 1994 (1994-07-20) cited in the application figure 1 -----	1-8
	-/--	

Further documents are listed in the continuation of Box C.       See patent family annex.

\* Special categories of cited documents :

<p>"A" document defining the general state of the art which is not considered to be of particular relevance</p> <p>"E" earlier application or patent but published on or after the international filing date</p> <p>"L" document which may throw doubts on priority claim(s) or which is cited to establish the publication date of another citation or other special reason (as specified)</p> <p>"O" document referring to an oral disclosure, use, exhibition or other means</p> <p>"P" document published prior to the international filing date but later than the priority date claimed</p>	<p>"T" later document published after the international filing date or priority date and not in conflict with the application but cited to understand the principle or theory underlying the invention</p> <p>"X" document of particular relevance; the claimed invention cannot be considered novel or cannot be considered to involve an inventive step when the document is taken alone</p> <p>"Y" document of particular relevance; the claimed invention cannot be considered to involve an inventive step when the document is combined with one or more other such documents, such combination being obvious to a person skilled in the art</p> <p>"&amp;" document member of the same patent family</p>
---	---

Date of the actual completion of the international search  28 January 2015	Date of mailing of the international search report  09/02/2015
--	--

Name and mailing address of the ISA/ European Patent Office, P.B. 5818 Patentlaan 2 NL - 2280 HV Rijswijk Tel. (+31-70) 340-2040, Fax: (+31-70) 340-3016	Authorized officer  Morrish, Susan
--	--

## INTERNATIONAL SEARCH REPORT

International application No  
PCT/EP2014/059178

C(Continuation). DOCUMENTS CONSIDERED TO BE RELEVANT		
Category*	Citation of document, with indication, where appropriate, of the relevant passages	Relevant to claim No.
A	US 2009/078020 A1 (BAXTER IAIN [GB]) 26 March 2009 (2009-03-26) cited in the application figure 2A	1-8
A	----- WO 2006/073309 A1 (RESLINK AS [NO]; ROALDSNES KJARTAN [NO]) 13 July 2006 (2006-07-13) cited in the application figures 1,2 -----	1-8

# INTERNATIONAL SEARCH REPORT

Information on patent family members

International application No PCT/EP2014/059178
---

Patent document cited in search report	Publication date	Publication date	Patent family member(s)	Publication date
US 2011006512	A1	13-01-2011	NONE	
<hr style="border-top: 1px dashed black;"/>				
GB 2415932	A	11-01-2006	GB 2415932 A	11-01-2006
			WO 2006005895 A1	19-01-2006
<hr style="border-top: 1px dashed black;"/>				
GB 2398807	A	01-09-2004	GB 2398807 A	01-09-2004
			WO 2004076803 A1	10-09-2004
<hr style="border-top: 1px dashed black;"/>				
GB 2274294	A	20-07-1994	CA 2113292 A1	14-07-1994
			GB 2274294 A	20-07-1994
			US 5343942 A	06-09-1994
<hr style="border-top: 1px dashed black;"/>				
US 2009078020	A1	26-03-2009	US 2009078020 A1	26-03-2009
			US 2010281943 A1	11-11-2010
			US 2013312477 A1	28-11-2013
<hr style="border-top: 1px dashed black;"/>				
WO 2006073309	A1	13-07-2006	BR PI0519720 A2	18-08-2009
			GB 2437443 A	24-10-2007
			NO 325203 B1	25-02-2008
			US 2009126943 A1	21-05-2009
			WO 2006073309 A1	13-07-2006
<hr style="border-top: 1px dashed black;"/>				