

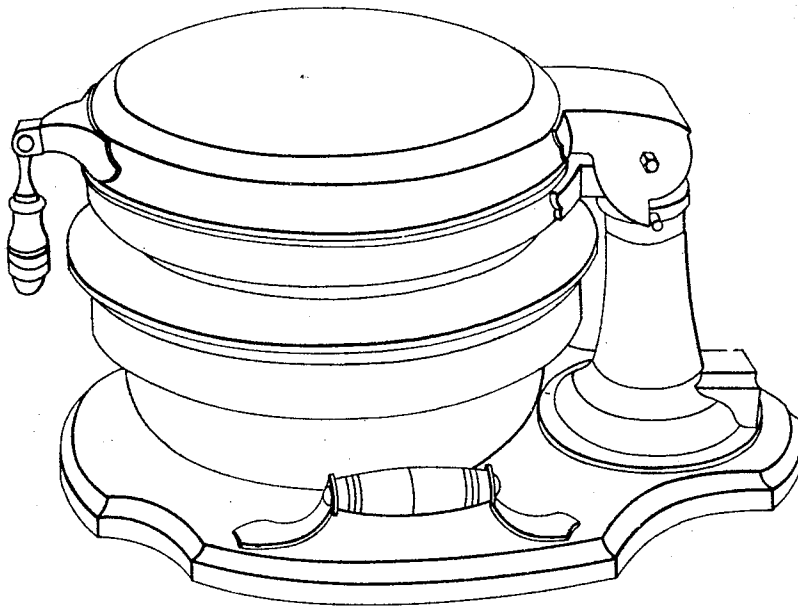
Feb. 17, 1931.

M. W. McARDLE
ELECTRIC WAFFLE IRON
Filed Nov. 13, 1930

Des. 83,332

2 Sheets-Sheet 1

Fig. 1.



Inventor.

Michael W. McArdle

By

Wilson, Dawell, McCanna & Rehm
Attys.

Feb. 17, 1931.

M. W. McARDLE
ELECTRIC WAFFLE IRON
Filed Nov. 13, 1930

Des. 83,332

2 Sheets-Sheet 2

Fig. 2.

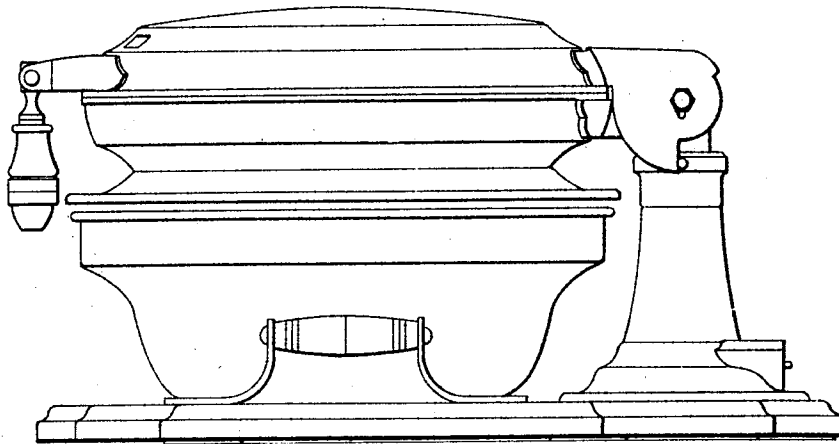
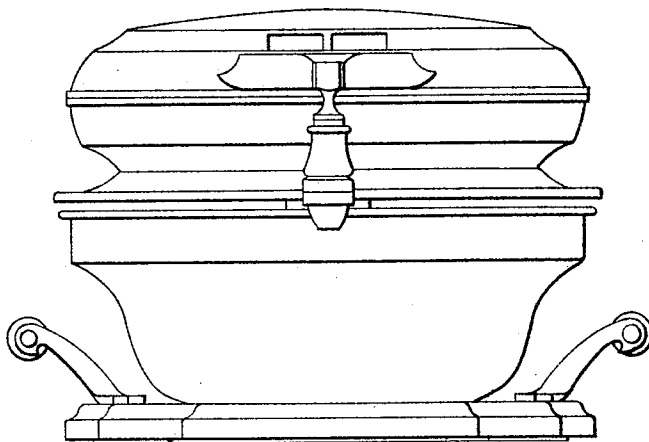


Fig. 3.



Inventor:
Michael W. McArdle
By
Wilson, Dawell, McCanna & Rehm
Attys

Patented Feb. 17, 1931

Des. 83,332

UNITED STATES PATENT OFFICE

MICHAEL W. McARDLE, OF CHICAGO, ILLINOIS

DESIGN FOR AN ELECTRIC WAFFLE IRON

Application filed November 13, 1930. Serial No. 37,639. Term of patent 14 years.

To all whom it may concern:

Be it known that I, MICHAEL W. McARDLE, a citizen of the United States, residing at Chicago, in the county of Cook and State of Illinois, have invented a new, original, and ornamental Design for Electric Waffle Iron, of which the following is a specification, reference being had to the accompanying drawing, forming part thereof.

In the drawing—

Figure 1 is a perspective view of an electric waffle iron, showing my new design; and Figs. 2 and 3 are front and side elevations, respectively, thereof.

I claim:

The ornamental design for an electric waffle iron, as shown.

MICHAEL W. McARDLE.