

[54] LINT REMOVER

[75] Inventor: Nicholas D. McKay, Grand Blanc, Mich.

[73] Assignee: Helmac Products Corporation, Flint, Mich.

[\*\*] Term: 14 Years

[21] Appl. No.: 290,725

[22] Filed: Aug. 6, 1981

[52] U.S. Cl. .... D4/23.1

[58] Field of Search ..... D4/23.1; 15/104 A

[56] References Cited

U.S. PATENT DOCUMENTS

D. 202,612	10/1965	Thomas, Jr. ....	D4/23.1
3,225,373	12/1965	Kisbany .....	15/104 A
3,363,276	1/1968	Thomas, Jr. ....	15/104 A
3,421,170	1/1969	Thomas, Jr. ....	15/104 A
3,623,179	11/1971	Roth .....	15/104 A
4,361,923	12/1982	McKay .....	15/104 A

Primary Examiner—Catherine E. Kemper  
Attorney, Agent, or Firm—Miller, Morriss & Pappas

[57] CLAIM

The ornamental design for a lint remover, as shown and described.

DESCRIPTION

FIG. 1 is an exploded perspective view of the lint remover showing my new design.

FIG. 2 is a side elevational view thereof.

FIG. 3 is a cross-sectional view thereof taken on line 3—3 of FIG. 2 with the lint remover tape roll shown in phantom-line.

FIG. 4 is a left end view of the lint remover as shown in FIG. 2.

FIG. 5 is a right end view of the lint remover as shown in FIG. 2.

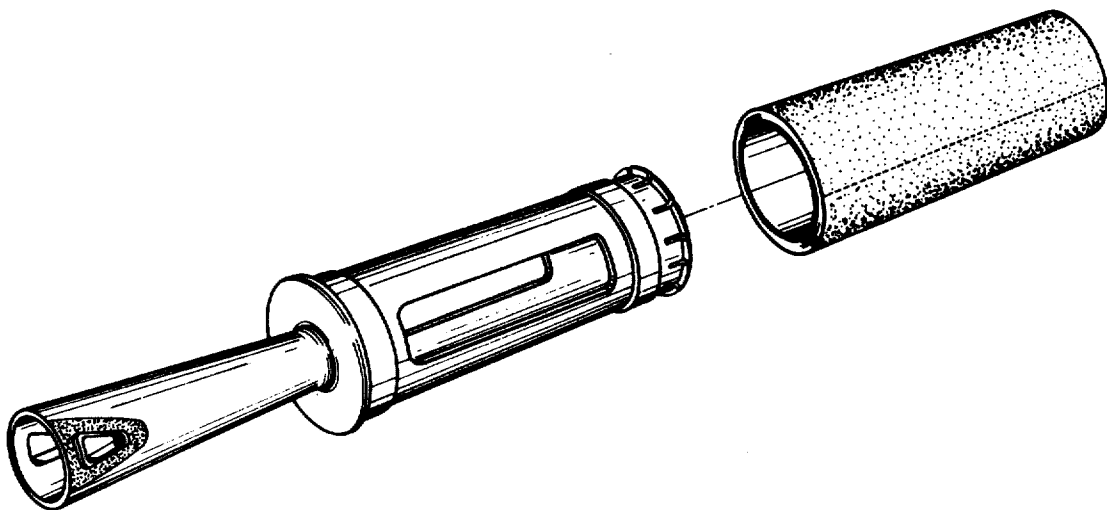
FIG. 6 is a cross-sectional view thereof taken on line 6—6 of FIG. 2.

FIG. 7 is an exploded perspective view of a lint remover showing a second embodiment of my new design.

FIG. 8 is a side elevational view of the second embodiment of my new design shown in FIG. 7 with the lint remover tape roll thereon.

FIG. 9 is a cross-sectional view of the second embodiment of my new design taken on line 9—9 of FIG. 8 and showing the lint remover tape roll in phantom-line thereon.

FIG. 10 is a left end view of the second embodiment of my new design shown in FIG. 8.



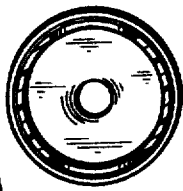
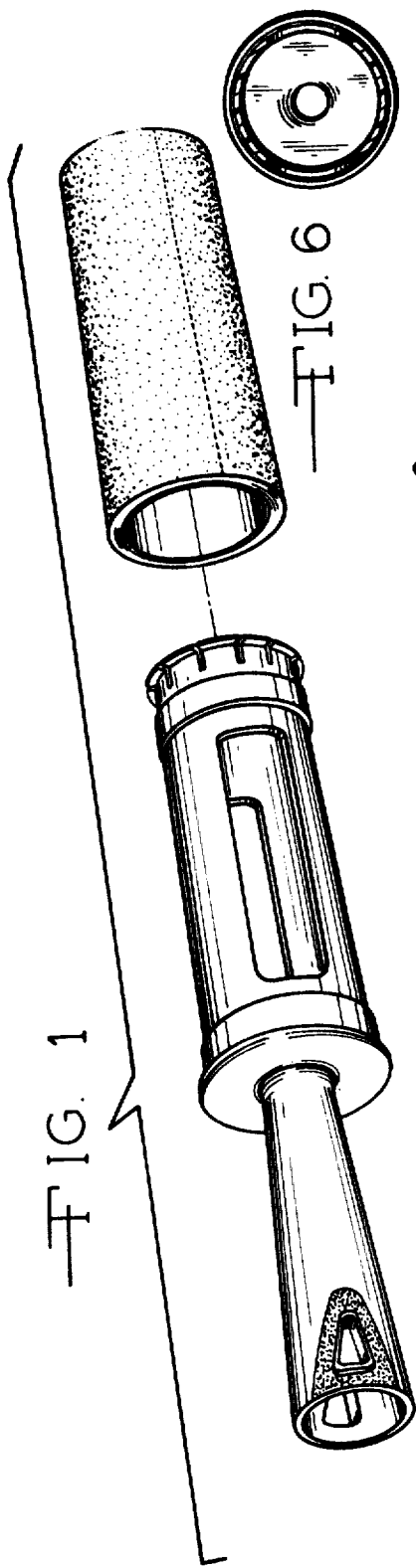


FIG. 6

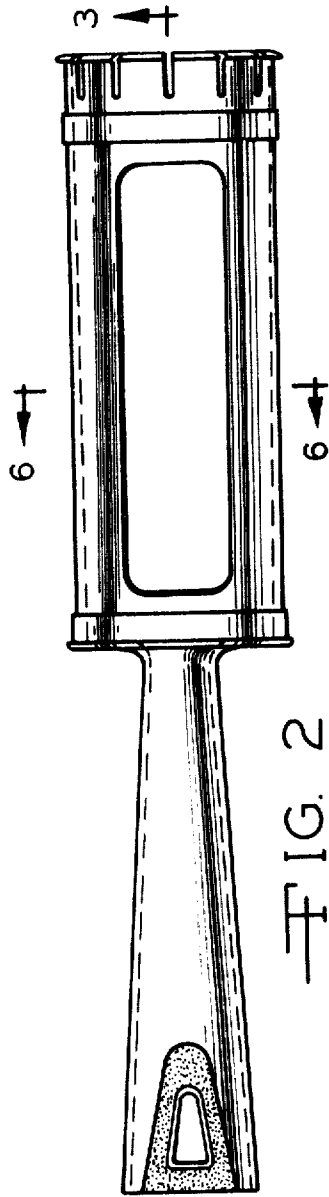


FIG. 2

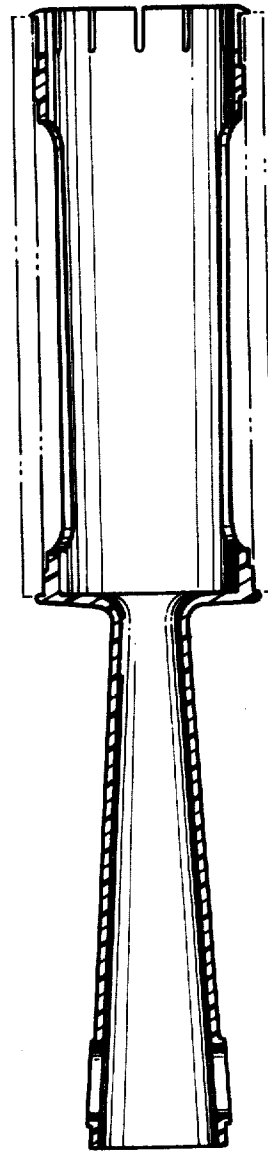


FIG. 3

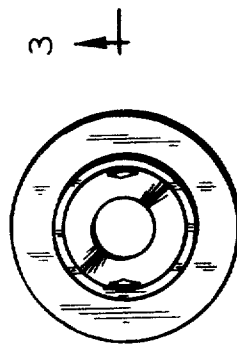


FIG. 4

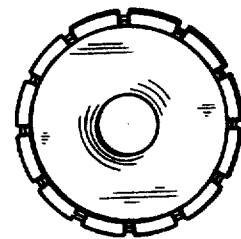


FIG. 5

