



(12) **United States Design Patent**
Strong et al.

(10) **Patent No.:** **US D588,693 S**
(45) **Date of Patent:** **** Mar. 17, 2009**

(54) **LIQUID DISPENSING SYRINGE**

(75) Inventors: **Warren N. Strong**, Hope, RI (US);
Michael A. Vidal, North Attleborough,
MA (US); **Terrence Woldorf**, Westport,
MA (US)

(73) Assignee: **Nordson Corporation**, Westlake, OH
(US)

(**) Term: **14 Years**

(21) Appl. No.: **29/280,974**

(22) Filed: **Jun. 12, 2007**

(51) **LOC (9) Cl.** **24-02**

(52) **U.S. Cl.** **D24/129; D24/112**

(58) **Field of Classification Search** D24/129,
D24/112-114; 604/68-70, 411
See application file for complete search history.

(56) **References Cited**

U.S. PATENT DOCUMENTS

2,830,586	A *	4/1958	Dann et al.	604/220
2,952,255	A *	9/1960	Hein, Jr.	604/210
3,149,717	A *	9/1964	Castelli	206/365
3,237,815	A	3/1966	Ogle	
4,067,332	A *	1/1978	O'Leary	604/152
D262,739	S *	1/1982	Nitshke	D24/130
4,708,270	A *	11/1987	Ruesch	222/386.5
D294,640	S *	3/1988	Wicken et al.	D24/114
D302,206	S *	7/1989	McAlister et al.	D24/130
D306,069	S *	2/1990	Kelly et al.	D24/114
D321,759	S *	11/1991	Buswell et al.	D24/130
D338,957	S *	8/1993	de Faire et al.	D24/130
5,509,903	A *	4/1996	Grendahl et al.	604/187
D401,324	S *	11/1998	Hjertman et al.	D24/114
D429,812	S *	8/2000	Hjertman et al.	D24/114
D431,864	S *	10/2000	Jansen	D24/129
D447,797	S *	9/2001	Odell et al.	D24/112

D447,799	S *	9/2001	Jun	D24/130
D543,278	S *	5/2007	Numata et al.	D24/130
2005/0029306	A1	2/2005	Brennan	
2006/0089594	A1 *	4/2006	Landau	604/68
2007/0000951	A1	1/2007	Springhom	

FOREIGN PATENT DOCUMENTS

GB 2020254 A 11/1979

OTHER PUBLICATIONS

European Patent Office, International Search Report and Written Opinion in PCT Application Serial No. PCT/US2007/070971, Nov. 6, 2007.

European Patent Office, Invitation to Pay Additional Fees and Partial Search Report in PCT Application Serial No. PCT/US2007/070971, Nov. 29, 2007.

* cited by examiner

Primary Examiner—Louis S Zarfaz

Assistant Examiner—Eric L Goodman

(74) *Attorney, Agent, or Firm*—Wood, Herron & Evans, L.L.P.

(57) **CLAIM**

The ornamental design for a liquid dispensing syringe, as shown and described.

DESCRIPTION

FIG. 1 is a perspective view of the liquid dispensing syringe showing my new design;

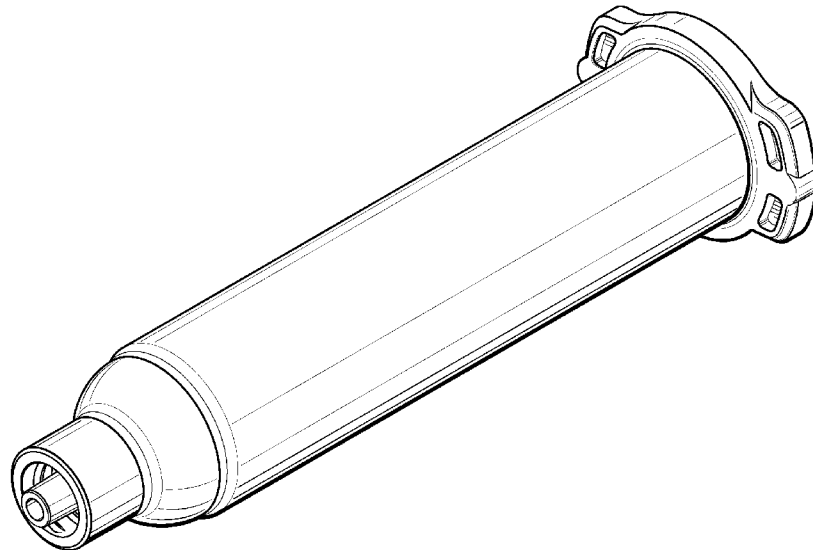
FIG. 2 is a front view, with the rear view being a mirror image thereof;

FIG. 3 is a right side view, with the left side view being a mirror image thereof;

FIG. 4 is a top view of thereof; and,

FIG. 5 is a bottom view thereof.

1 Claim, 3 Drawing Sheets



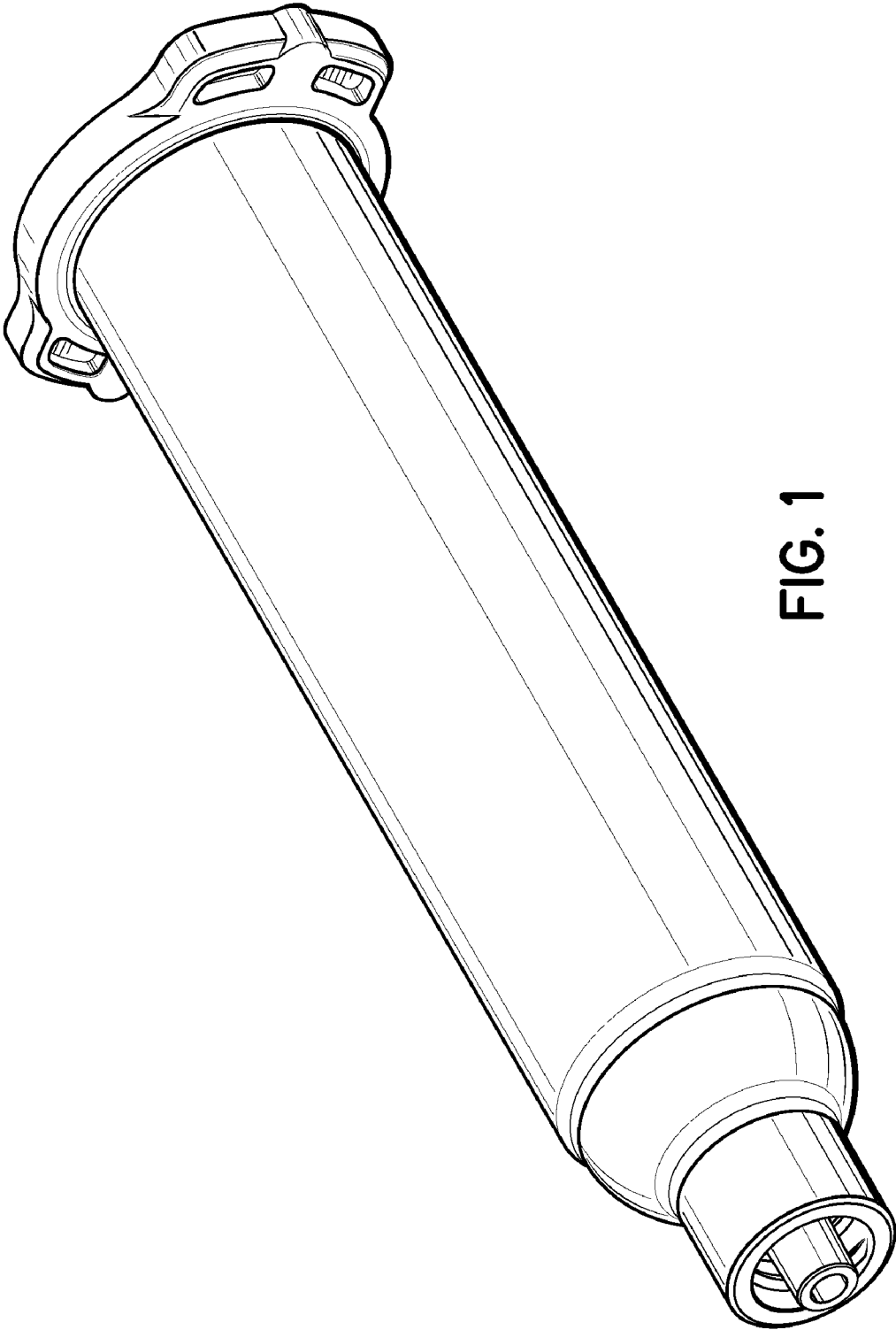


FIG. 1

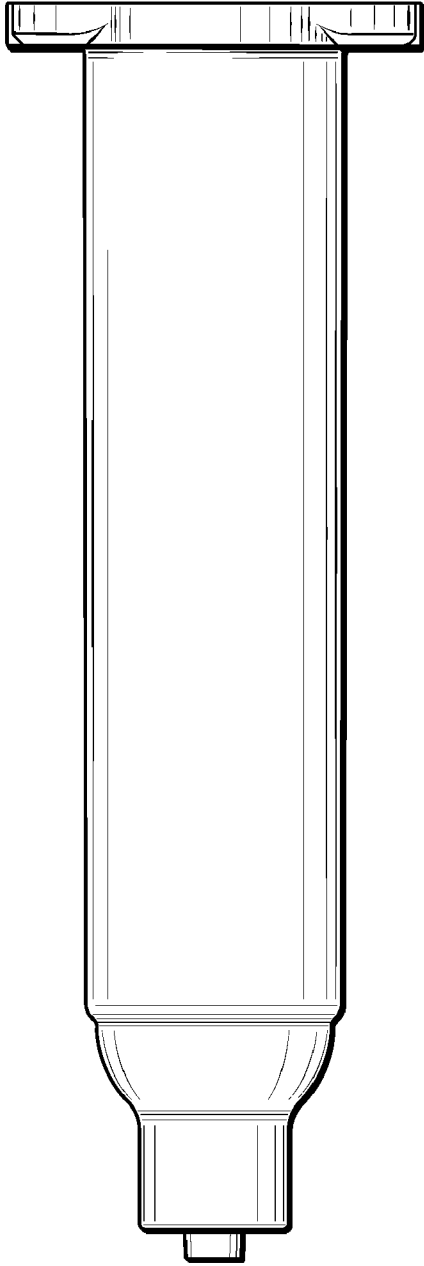


FIG. 2

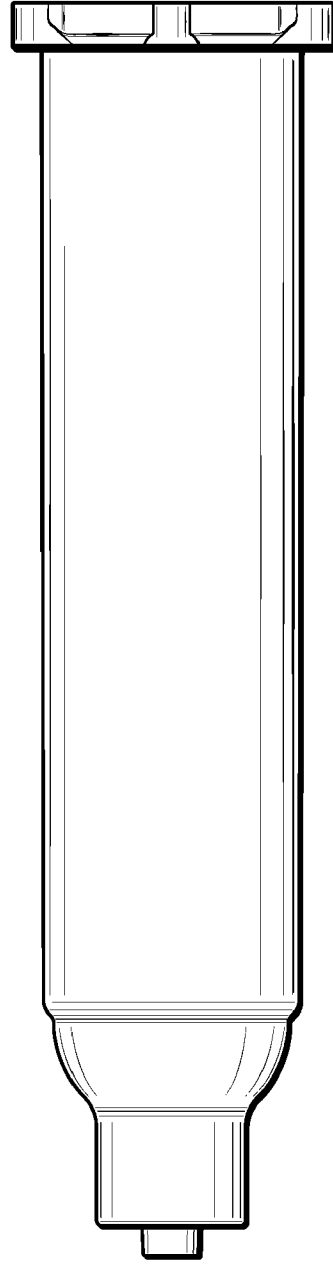


FIG. 3

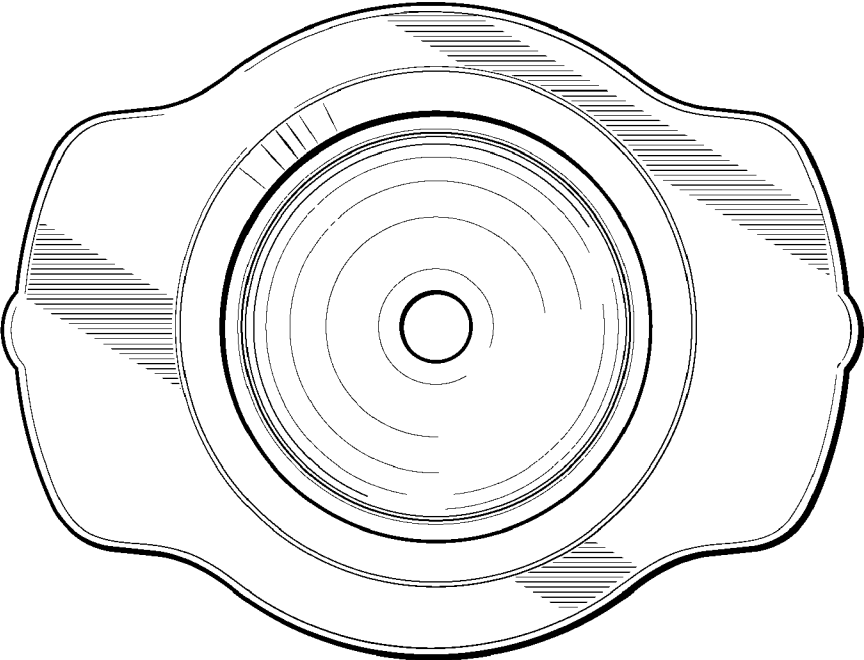


FIG. 4

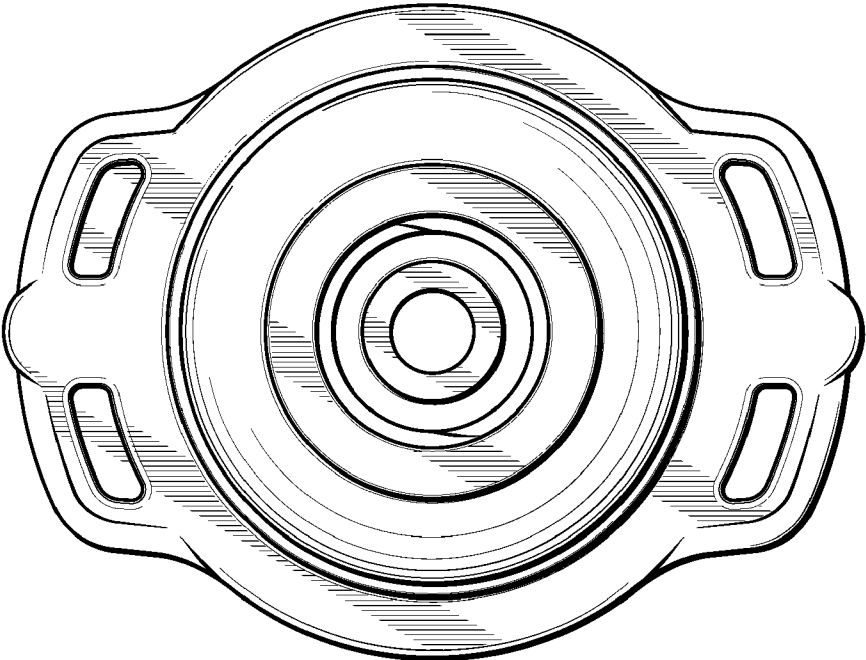


FIG. 5