



- (51) International Patent Classification:
A01K 15/02 (2006.01)
- (21) International Application Number:
PCT/US2017/030477
- (22) International Filing Date:
01 May 2017 (01.05.2017)
- (25) Filing Language: English
- (26) Publication Language: English
- (30) Priority Data:
62/330,099 30 April 2016 (30.04.2016) US
- (72) Inventor; and
- (71) Applicant: WILSON, Danny [US/US]; 8837 Villa La Jolla Drive, #13593, La Jolla, CA 92039 (US).
- (74) Agent: VIEIRA, Erik; Registered Agent, 8837 Villa La Jolla Drive, #13593, La Jolla, CA 92039 (US).
- (81) Designated States (unless otherwise indicated, for every kind of national protection available): AE, AG, AL, AM, AO, AT, AU, AZ, BA, BB, BG, BH, BN, BR, BW, BY, BZ, CA, CH, CL, CN, CO, CR, CU, CZ, DE, DJ, DK, DM, DO, DZ, EC, EE, EG, ES, FI, GB, GD, GE, GH, GM, GT, HN,

HR, HU, ID, IL, IN, IR, IS, JP, KE, KG, KH, KN, KP, KR, KW, KZ, LA, LC, LK, LR, LS, LU, LY, MA, MD, ME, MG, MK, MN, MW, MX, MY, MZ, NA, NG, NI, NO, NZ, OM, PA, PE, PG, PH, PL, PT, QA, RO, RS, RU, RW, SA, SC, SD, SE, SG, SK, SL, SM, ST, SV, SY, TH, TJ, TM, TN, TR, TT, TZ, UA, UG, US, UZ, VC, VN, ZA, ZM, ZW.

(84) Designated States (unless otherwise indicated, for every kind of regional protection available): ARIPO (BW, GH, GM, KE, LR, LS, MW, MZ, NA, RW, SD, SL, ST, SZ, TZ, UG, ZM, ZW), Eurasian (AM, AZ, BY, KG, KZ, RU, TJ, TM), European (AL, AT, BE, BG, CH, CY, CZ, DE, DK, EE, ES, FI, FR, GB, GR, HR, HU, IE, IS, IT, LT, LU, LV, MC, MK, MT, NL, NO, PL, PT, RO, RS, SE, SI, SK, SM, TR), OAPI (BF, BJ, CF, CG, CI, CM, GA, GN, GQ, GW, KM, ML, MR, NE, SN, TD, TG).

Declarations under Rule 4.17:
— of inventorship (Rule 4.17(iv))

Published:
— with international search report (Art. 21(3))
— before the expiration of the time limit for amending the claims and to be republished in the event of receipt of amendments (Rule 48.2(h))

(54) Title: A ANIMAL TRAINING APPARATUS AND METHOD

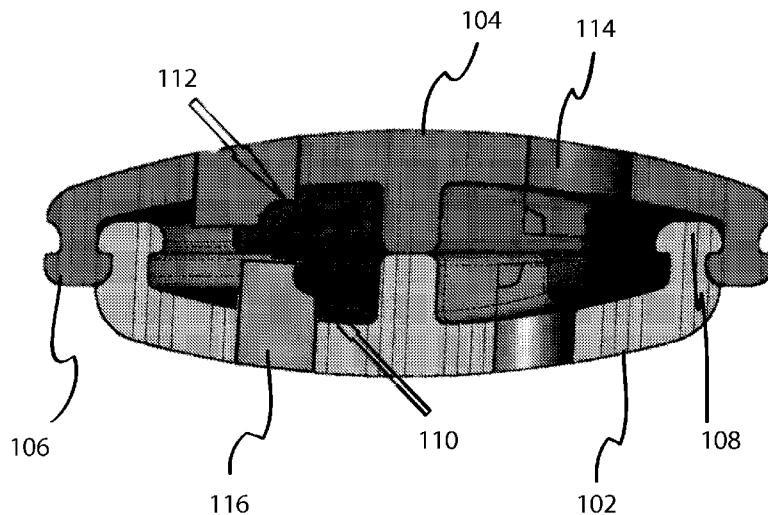


FIGURE 1a

(57) Abstract: A novel animal training apparatus and method for relieving various emotional and psychological issues in animals in captivity, including separation anxiety, boredom, depression and keeping the animal intellectually engaged by attempting to obtain a food treat from inside the animal training apparatus.



(88) Date of publication of the international search report:
18 January 2018 (18.01.2018)

INTERNATIONAL SEARCH REPORT

International application No.

PCT/US 17/30477

| A. CLASSIFICATION OF SUBJECT MATTER IPC(8) - A01K 15/02 (2017.01) CPC - A01K 15/025 | | | | |
|--|--|--|--|--|
| According to International Patent Classification (IPC) or to both national classification and IPC | | | | |
| B. FIELDS SEARCHED | | | | |
| Minimum documentation searched (classification system followed by classification symbols) See Search History Document | | | | |
| Documentation searched other than minimum documentation to the extent that such documents are included in the fields searched See Search History Document | | | | |
| Electronic data base consulted during the international search (name of data base and, where practicable, search terms used) See Search History Document | | | | |
| C. DOCUMENTS CONSIDERED TO BE RELEVANT | | | | |
| Category* | Citation of document, with indication, where appropriate, of the relevant passages | Relevant to claim No. | | |
| X | US 4,743,023 A (Collier) 10 May 1988 (10.05.1988), entire document, especially fig 1-4, 7a-b; col 2, ln 44-61; col 3, ln 1-10; col 4, ln 10-54; col 5, ln 22-66 | 1 | | |
| A | US 2014/0261195 A1 (Reiss et al.) 18 September 2014 (18.09.2014), entire document | 1 | | |
| A | US 5,819,690 A (Brown) 13 October 1998 (13.10.1998), entire document | 1 | | |
| A | US 5,009,193 A (Gordon) 23 April 1991 (23.04.1991), entire document | 1 | | |
| A | US 2011/0185980 A1 (Chefet et al.) 4 April 2011 (04.04.2011), entire document | 1 | | |
| A | US 2012/0137986 A1 (Shatoff et al.) 7 June 2012 (07.06.2012), entire document | 1 | | |
| A | US 2013/0333623 A1 (Vermeegen) 19 December 2013 (19.12.2013), entire document | 1 | | |
| <input type="checkbox"/> Further documents are listed in the continuation of Box C. <input type="checkbox"/> See patent family annex. | | | | |
| * Special categories of cited documents: <table border="0" style="width: 100%;"> <tr> <td style="width: 50%; vertical-align: top;"> "A" document defining the general state of the art which is not considered to be of particular relevance "E" earlier application or patent but published on or after the international filing date "L" document which may throw doubts on priority claim(s) or which is cited to establish the publication date of another citation or other special reason (as specified) "O" document referring to an oral disclosure, use, exhibition or other means "P" document published prior to the international filing date but later than the priority date claimed </td> <td style="width: 50%; vertical-align: top;"> "T" later document published after the international filing date or priority date and not in conflict with the application but cited to understand the principle or theory underlying the invention "X" document of particular relevance; the claimed invention cannot be considered novel or cannot be considered to involve an inventive step when the document is taken alone "Y" document of particular relevance; the claimed invention cannot be considered to involve an inventive step when the document is combined with one or more other such documents, such combination being obvious to a person skilled in the art "&" document member of the same patent family </td> </tr> </table> | | | "A" document defining the general state of the art which is not considered to be of particular relevance "E" earlier application or patent but published on or after the international filing date "L" document which may throw doubts on priority claim(s) or which is cited to establish the publication date of another citation or other special reason (as specified) "O" document referring to an oral disclosure, use, exhibition or other means "P" document published prior to the international filing date but later than the priority date claimed | "T" later document published after the international filing date or priority date and not in conflict with the application but cited to understand the principle or theory underlying the invention "X" document of particular relevance; the claimed invention cannot be considered novel or cannot be considered to involve an inventive step when the document is taken alone "Y" document of particular relevance; the claimed invention cannot be considered to involve an inventive step when the document is combined with one or more other such documents, such combination being obvious to a person skilled in the art "&" document member of the same patent family |
| "A" document defining the general state of the art which is not considered to be of particular relevance "E" earlier application or patent but published on or after the international filing date "L" document which may throw doubts on priority claim(s) or which is cited to establish the publication date of another citation or other special reason (as specified) "O" document referring to an oral disclosure, use, exhibition or other means "P" document published prior to the international filing date but later than the priority date claimed | "T" later document published after the international filing date or priority date and not in conflict with the application but cited to understand the principle or theory underlying the invention "X" document of particular relevance; the claimed invention cannot be considered novel or cannot be considered to involve an inventive step when the document is taken alone "Y" document of particular relevance; the claimed invention cannot be considered to involve an inventive step when the document is combined with one or more other such documents, such combination being obvious to a person skilled in the art "&" document member of the same patent family | | | |
| Date of the actual completion of the international search 13 October 2017 | | Date of mailing of the international search report 08 DEC 2017 | | |
| Name and mailing address of the ISA/US Mail Stop PCT, Attn: ISA/US, Commissioner for Patents P.O. Box 1450, Alexandria, Virginia 22313-1450 Facsimile No. 571-273-8300 | | Authorized officer: Lee W. Young PCT Helpdesk: 571-272-4300 PCT OSP: 571-272-7774 | | |