



US00D341464S

United States Patent [19]

[11] Patent Number: **Des. 341,464**

Beauchamp

[45] Date of Patent: **** Nov. 16, 1993**

[54] CONTAINER

4,848,580 7/1989 Wise 20/675 X

[75] Inventor: **Maurice Beauchamp**, St-Damien, Canada

OTHER PUBLICATIONS

Lewisystems, 1-1983, p. 20 as shown.
Sanko Co. Catalog 1984-1985, p. 38 as shown.

[73] Assignee: **IPL Inc.**, St-Damien, Canada

Primary Examiner—Prabhakar G. Deshmukh
Attorney, Agent, or Firm—Jean H. Dubuc

[**] Term: **14 Years**

[57] CLAIM

[21] Appl. No.: **933,521**

The ornamental design for a container, as shown and described.

[22] Filed: **Aug. 24, 1992**

[52] U.S. Cl. **D34/40**

[58] Field of Search **D34/40-46;**
D9/424, 425; 206/503-507, 509, 510, 518, 515,
499, 203; 220/1.5, 23.6, 23.8, 23.4, 668, 669,
675, 94 R, 908, DIG. 12, DIG. 15, DIG. 14

DESCRIPTION

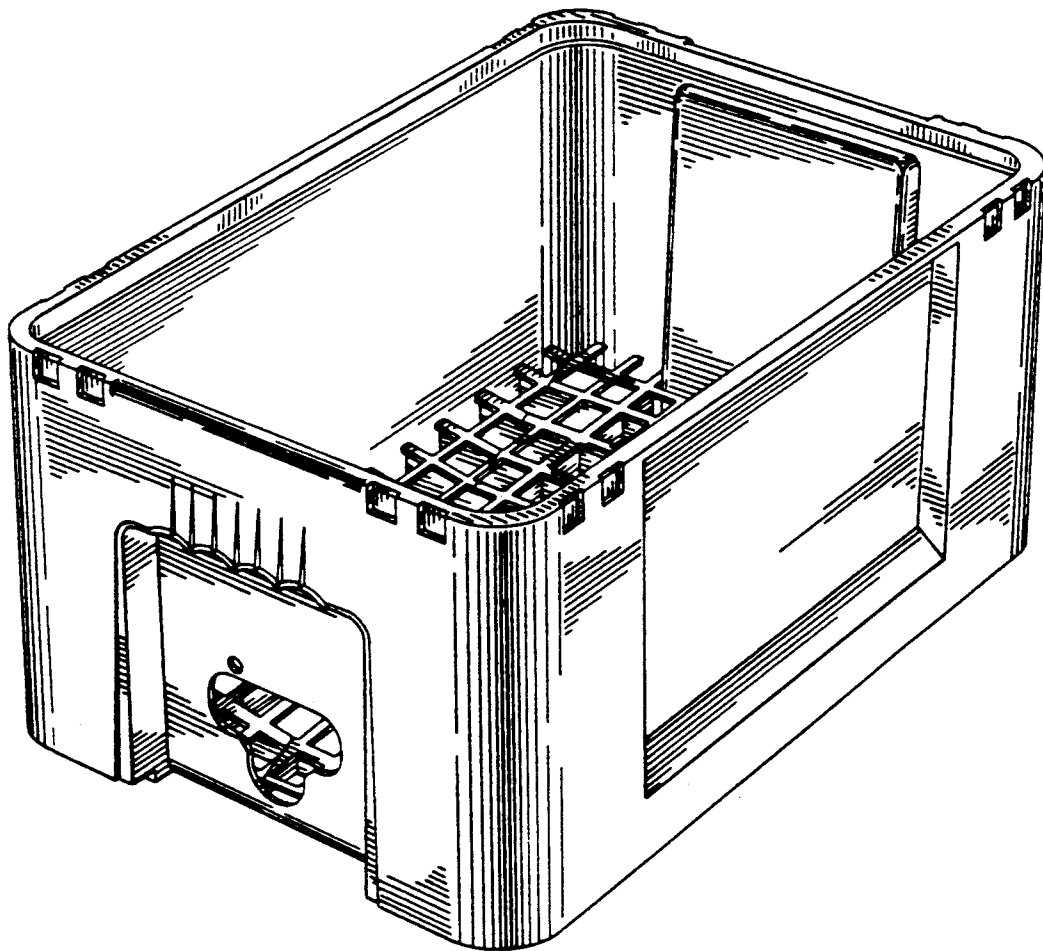
[56] References Cited

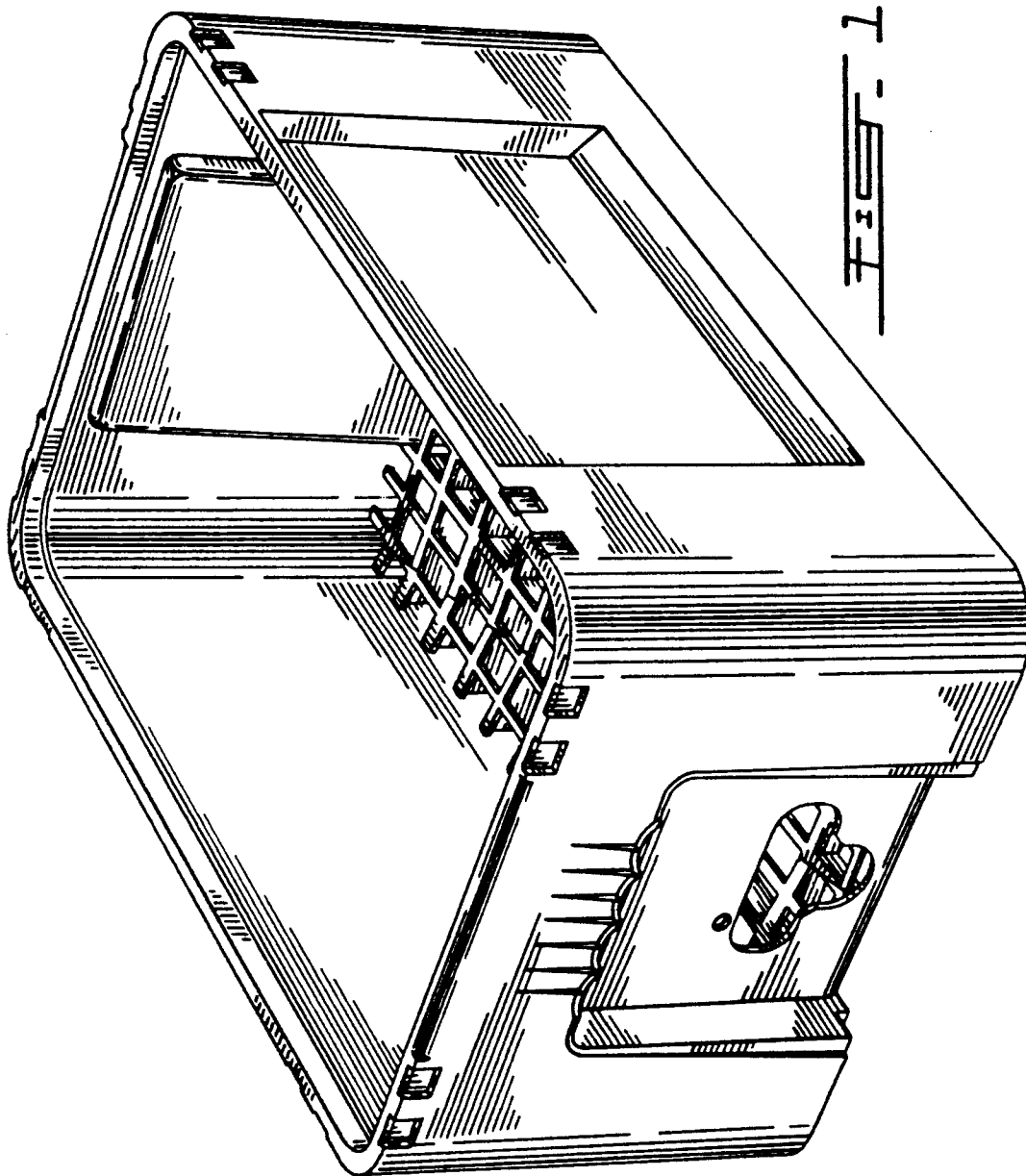
U.S. PATENT DOCUMENTS

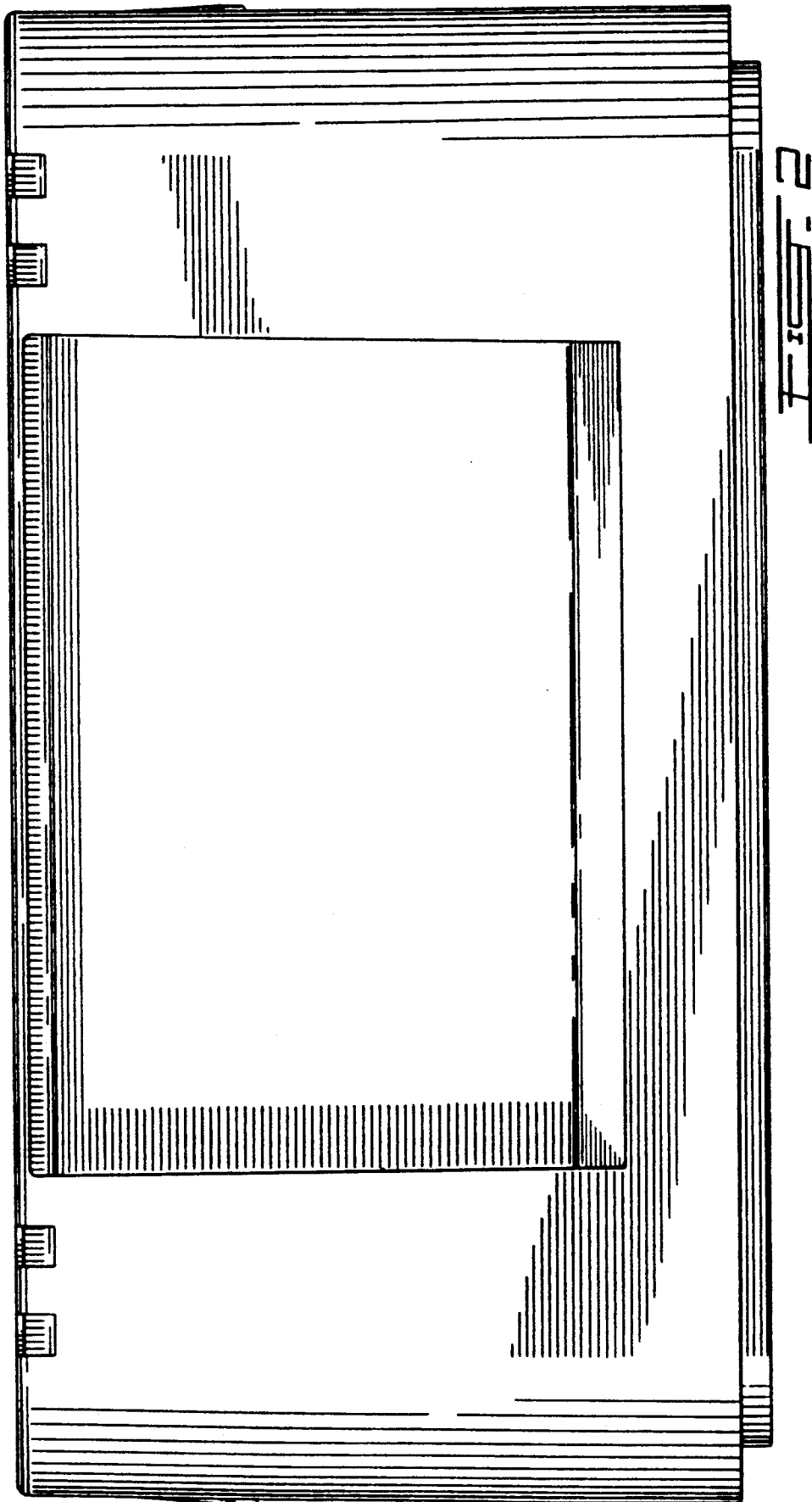
D. 224,366	7/1972	Rehrig	D34/44
D. 260,602	9/1981	O'Donnal	D34/45
D. 279,039	5/1985	Walden	D34/40
D. 291,018	7/1987	Lates	D34/46
D. 326,345	5/1992	Mandell et al.	D34/40
3,700,137	10/1972	Souza	206/506 X
3,759,416	9/1973	Constantine	206/505

FIG. 1 is a perspective view of a container showing my new design;
FIG. 2 is a front elevational view thereof; the rear elevational view being a mirror image thereof;
FIG. 3 is a left side elevational view thereof;
FIG. 4 is a right side elevational view thereof;
FIG. 5 is a bottom plan view thereof;
FIG. 6 is a top plan view thereof; and,
FIG. 7 is a sectional view taken along line 7-7 of FIG. 6.

FIGS. 2-7 inclusive are drawn to an enlarged scale for clarity.







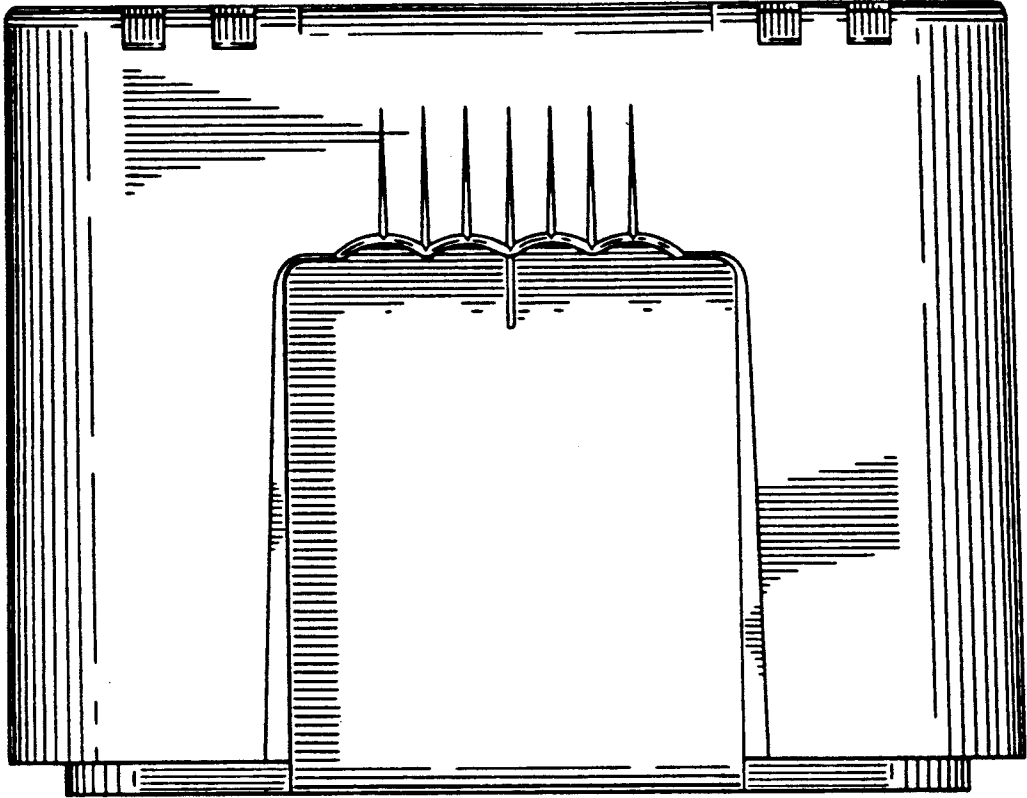


FIG. 3

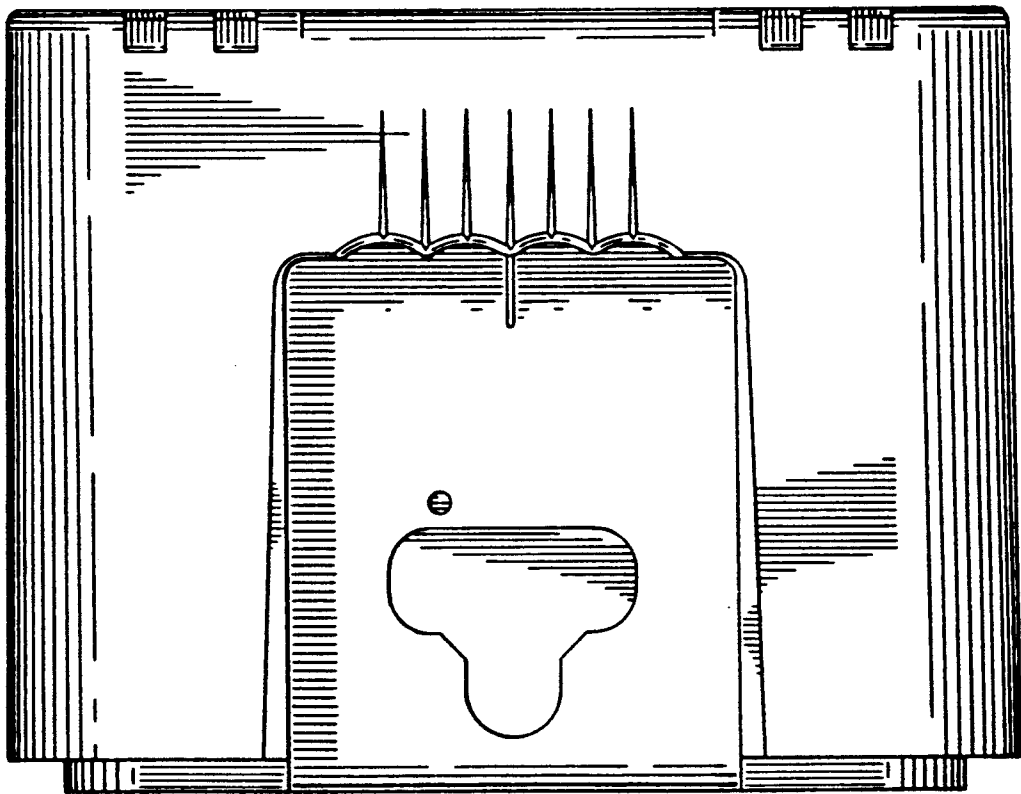


FIG. 4

