



US00D768862S

(12) **United States Design Patent**  
**Werner et al.**

(10) **Patent No.:** **US D768,862 S**

(45) **Date of Patent:** **\*\* Oct. 11, 2016**

(54) **DENTAL SCALER WITH DISPLAY**

(71) Applicant: **Dentsply International, Inc.**, York, PA (US)

(72) Inventors: **Peter H. Werner**, Columbia, PA (US); **Michael C. Dietrich**, East Petersburg, PA (US); **David J. Kierce**, York, PA (US); **Jeremy J. Kile**, York, PA (US); **Meghan E. Anderson**, Chicago, IL (US); **Jill C. Denna**, Kalamazoo, MI (US); **Clifford Krapfl**, Chicago, IL (US)

(73) Assignee: **Dentsply International, Inc.**, York, PA (US)

(\*\*) Term: **15 Years**

(21) Appl. No.: **29/530,701**

(22) Filed: **Jun. 18, 2015**

(51) **LOC (10) Cl.** ..... **24-02**

(52) **U.S. Cl.**  
USPC ..... **D24/176**

(58) **Field of Classification Search**  
USPC ..... D24/176-180; D10/46  
CPC ..... A61C 17/20; A61C 1/0007; A61C 1/02;  
A61C 1/0084; A61C 1/088  
See application file for complete search history.

(56) **References Cited**

**U.S. PATENT DOCUMENTS**

7,131,837 B2 \* 11/2006 Guaragno ..... A61C 17/20  
433/119  
D539,428 S \* 3/2007 Nakanishi ..... D24/177

D661,399 S \* 6/2012 Wang ..... D24/176  
8,314,605 B2 \* 11/2012 Pruckner ..... A61C 17/20  
324/120  
2007/0166662 A1 \* 7/2007 Lint ..... A61C 17/20  
433/101  
2009/0162810 A1 \* 6/2009 Werner ..... A61C 17/20  
433/119  
2016/0038257 A1 \* 2/2016 Eder ..... A61C 1/0061  
433/118

\* cited by examiner

*Primary Examiner* — Wan Laymon

(74) *Attorney, Agent, or Firm* — Baker & Hostetler LLP

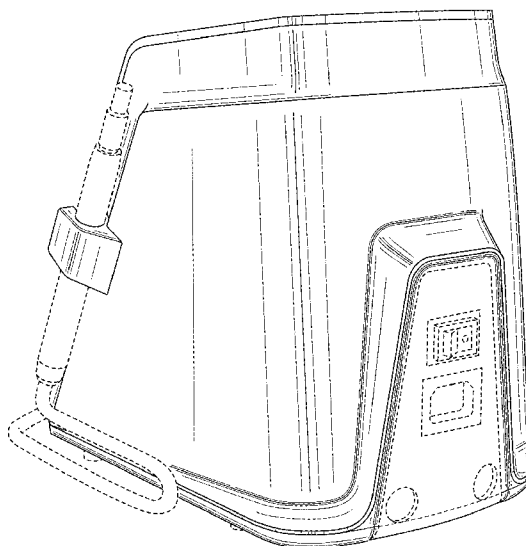
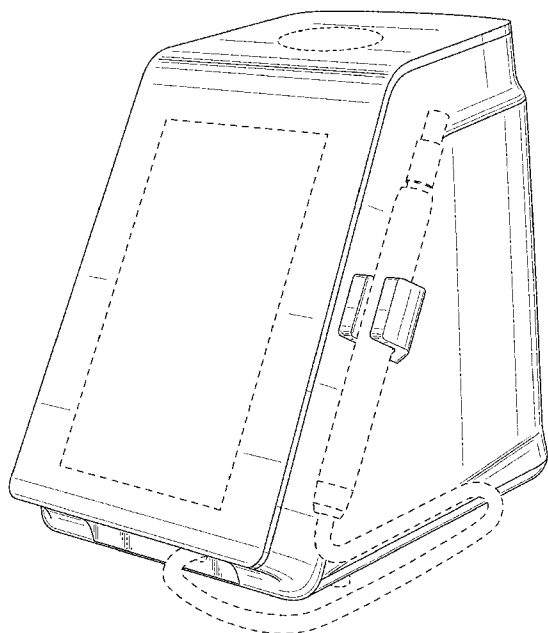
(57) **CLAIM**

The ornamental design for a dental scaler with display, as shown and described.

**DESCRIPTION**

FIG. 1 is a front perspective view of a dental scaler with display in accordance with our new design;  
FIG. 2 is a left-side view thereof;  
FIG. 3 is a front elevational view thereof;  
FIG. 4 is a rear perspective view thereof;  
FIG. 5 is a rear view thereof;  
FIG. 6 is a right-side view thereof;  
FIG. 7 is a top plan view thereof; and,  
FIG. 8 is a bottom plan view thereof.  
The broken lines showing various features in the figures represent portions of the dental scaler with display that form no part of the claimed design.

**1 Claim, 8 Drawing Sheets**



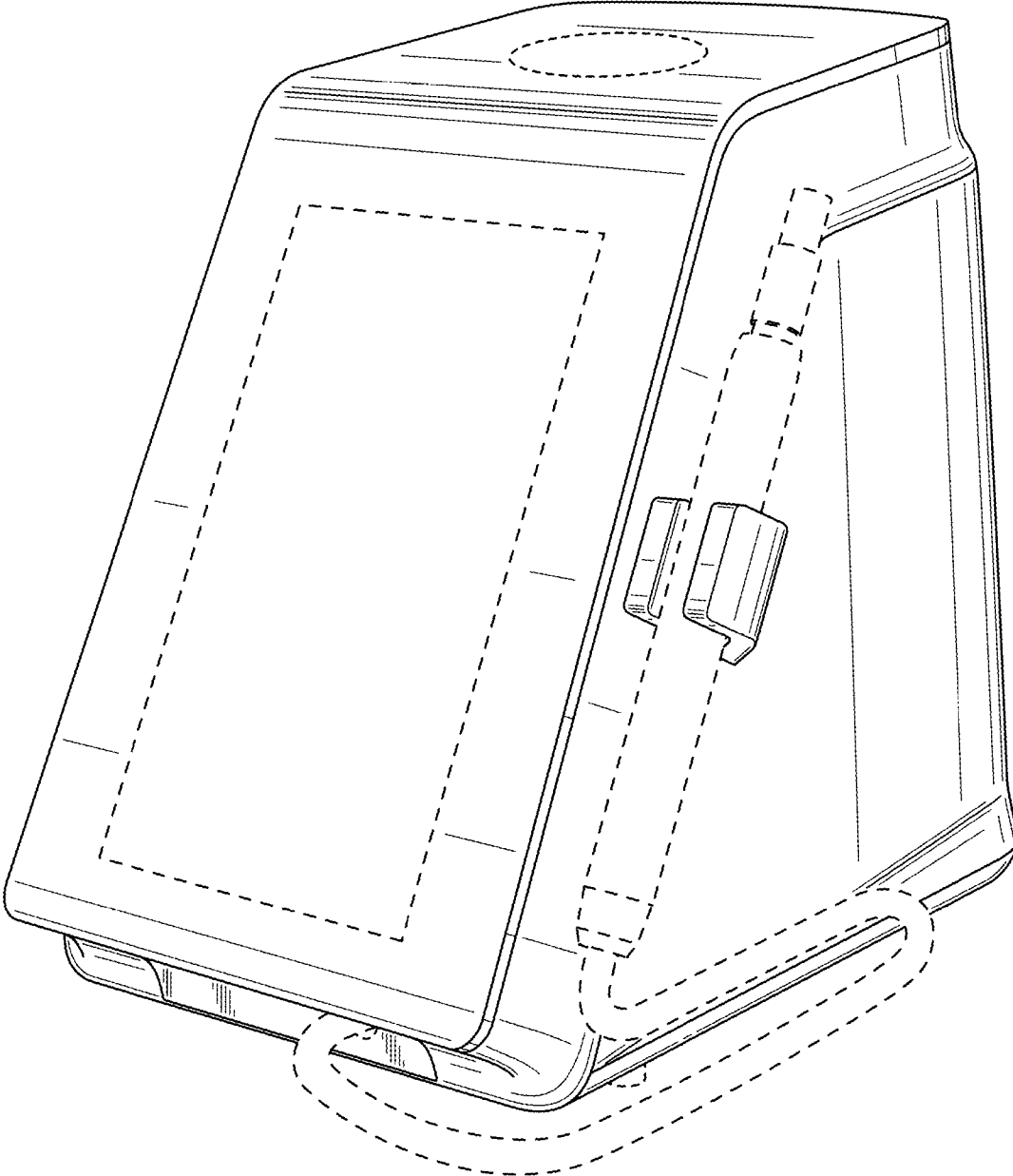


FIG. 1

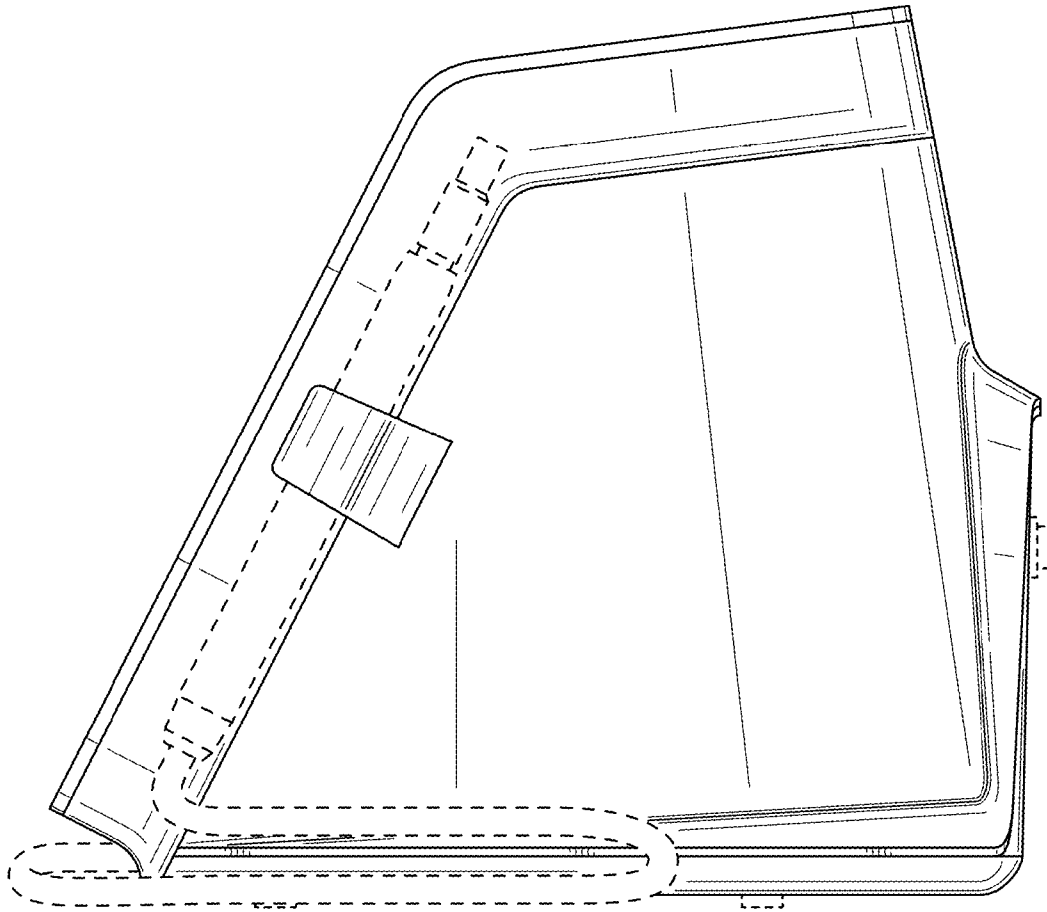


FIG. 2

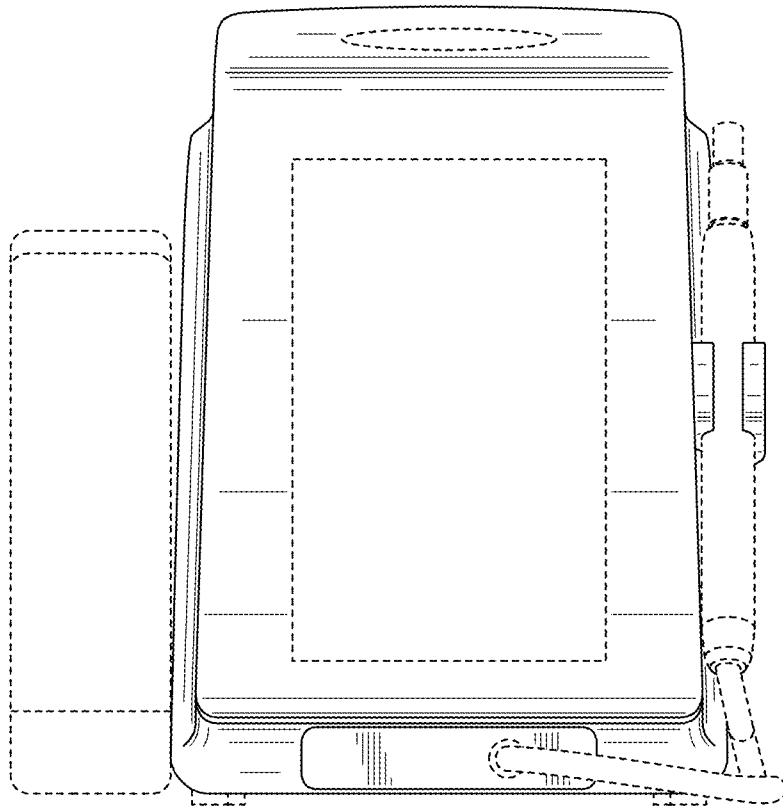


FIG. 3

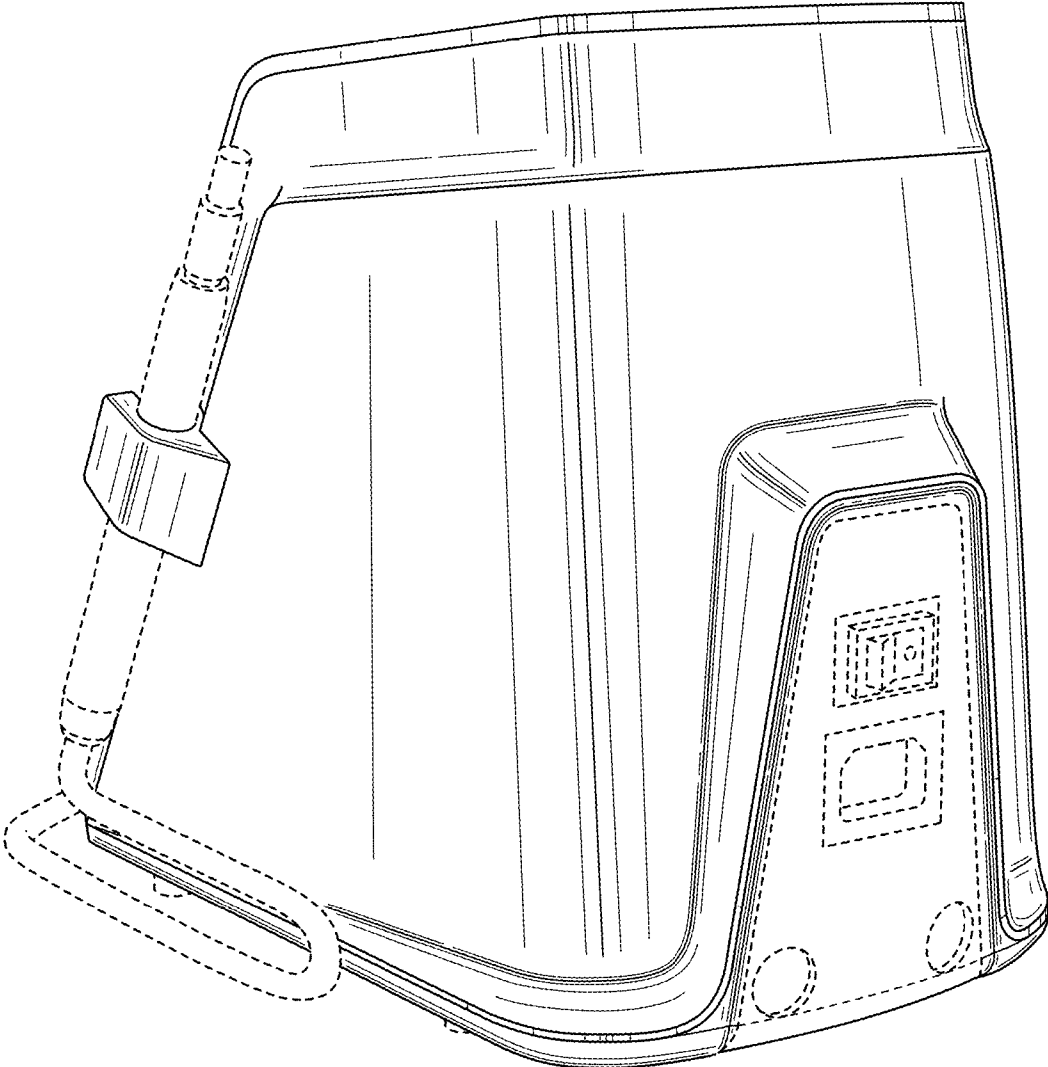


FIG. 4

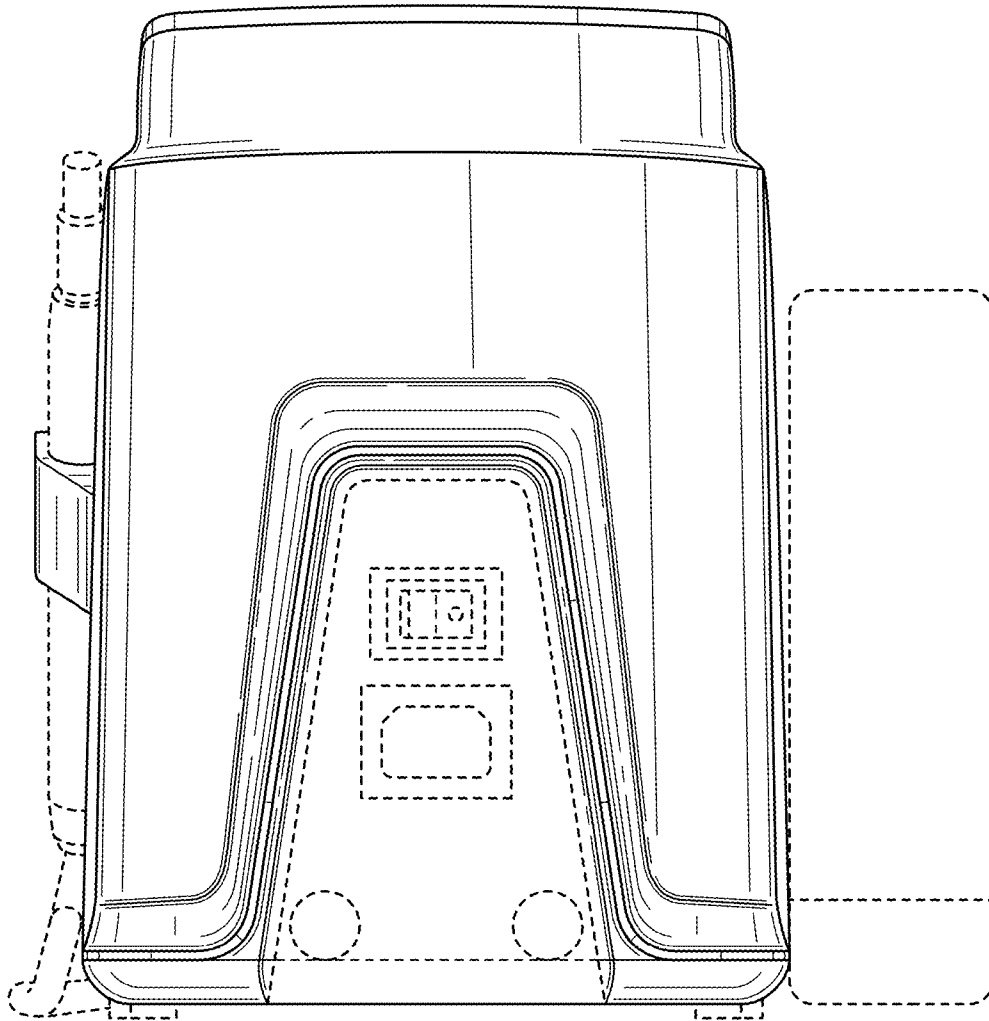


FIG. 5

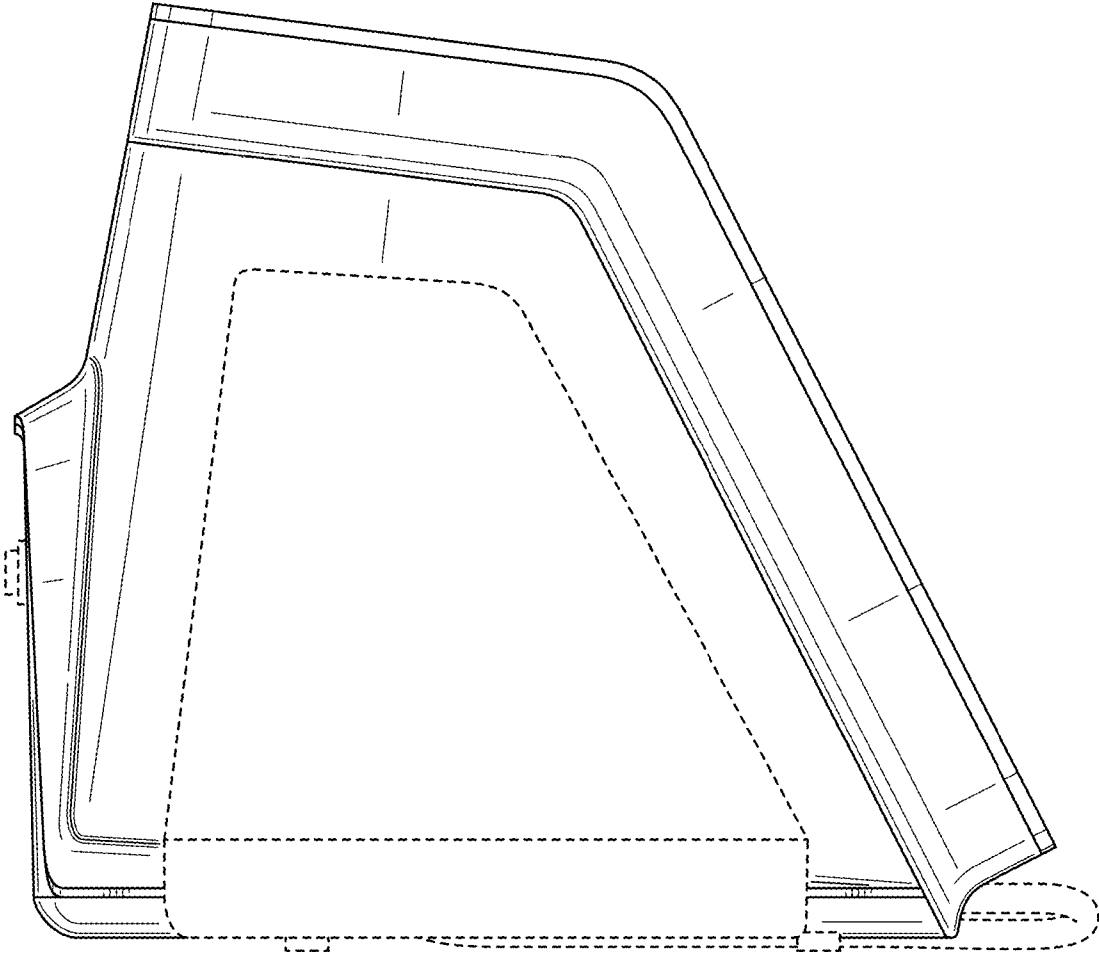


FIG. 6

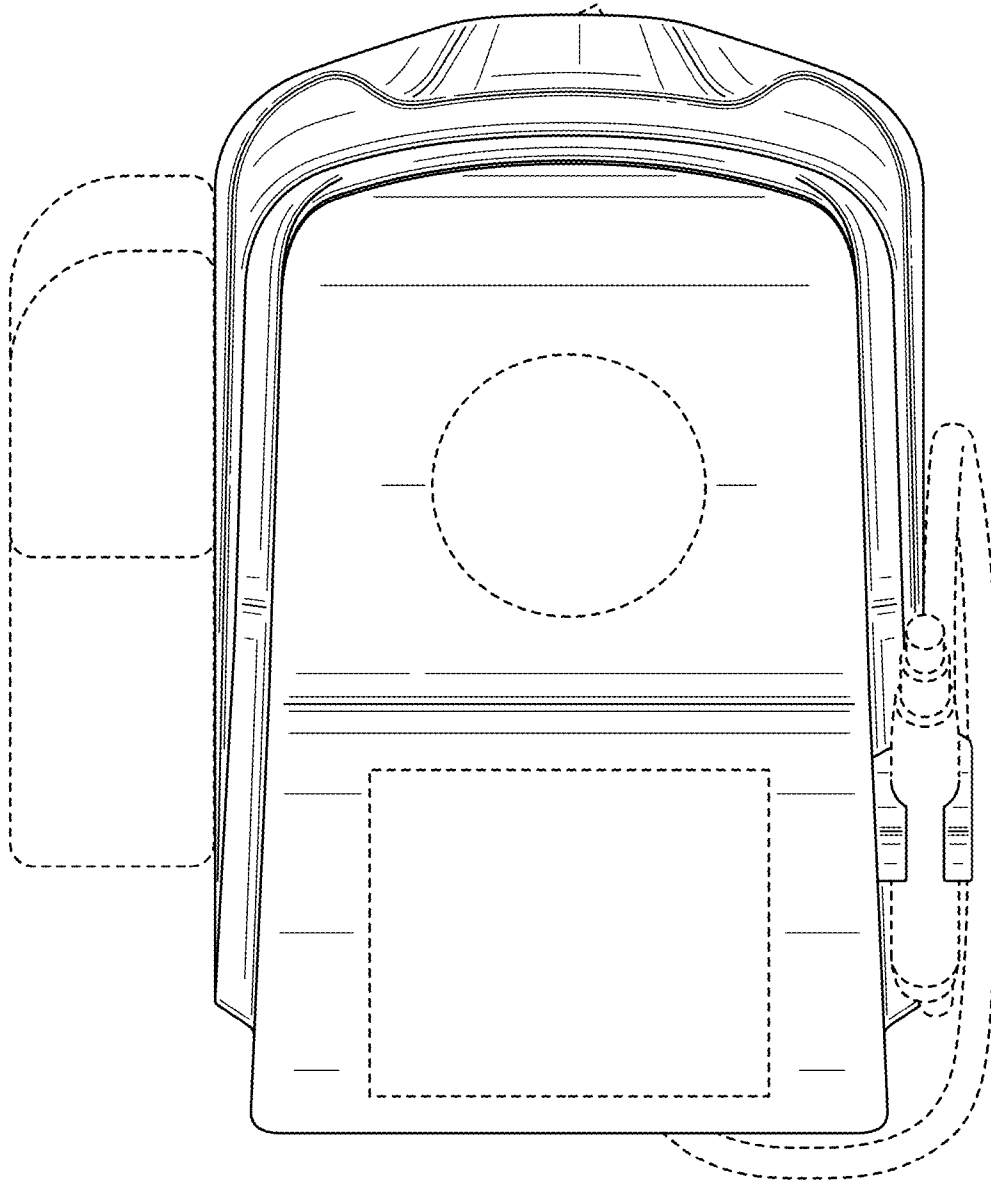


FIG. 7

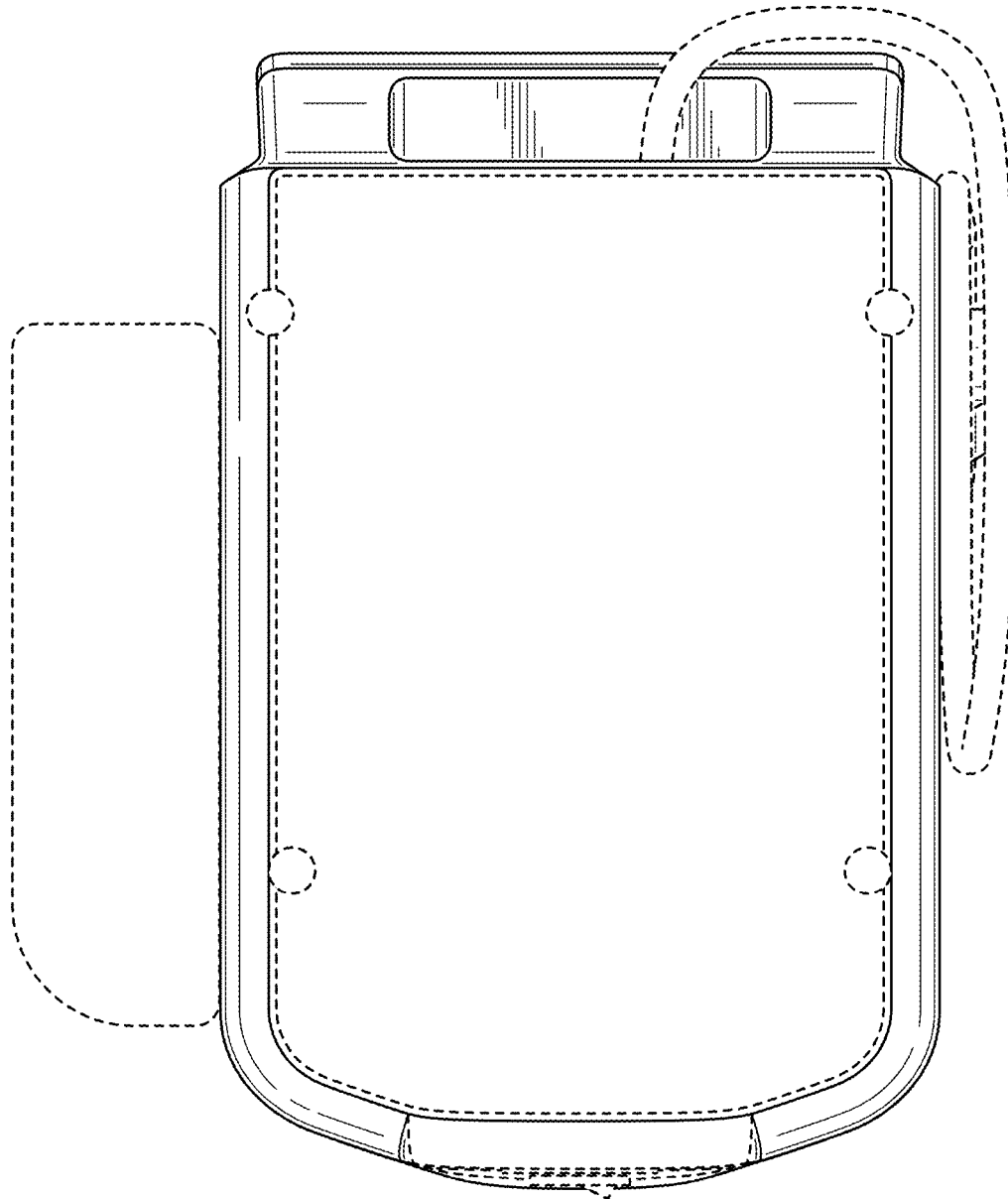


FIG. 8