



US00D324261S

United States Patent [19]

[11] Patent Number: **Des. 324,261**

Yvetot

[45] Date of Patent: **** Feb. 25, 1992**

- [54] TUB SHELL OR THE LIKE
- [75] Inventor: **Roger J. Yvetot**, Conflans Saint Honorine, France
- [73] Assignee: **Jacob Delafon**, Paris, France
- [**] Term: **14 Years**
- [21] Appl. No.: **398,363**
- [22] Filed: **Aug. 24, 1989**
- [52] U.S. Cl. **D23/281**
- [58] Field of Search **D23/270-283, D23/303-307; 4/513, 538-544, 546, 555, 559, 571-579, 584, 589, 590**

Pages 6-45 and 7-5 of the 1986 Kohler Co. K-400 catalog.
 Page 55 of a Kohler Co. catalog showing the "Greenwich" lavatory, undated (admitted prior art).

Primary Examiner—Susan J. Lucas
Attorney, Agent, or Firm—Quarles & Brady

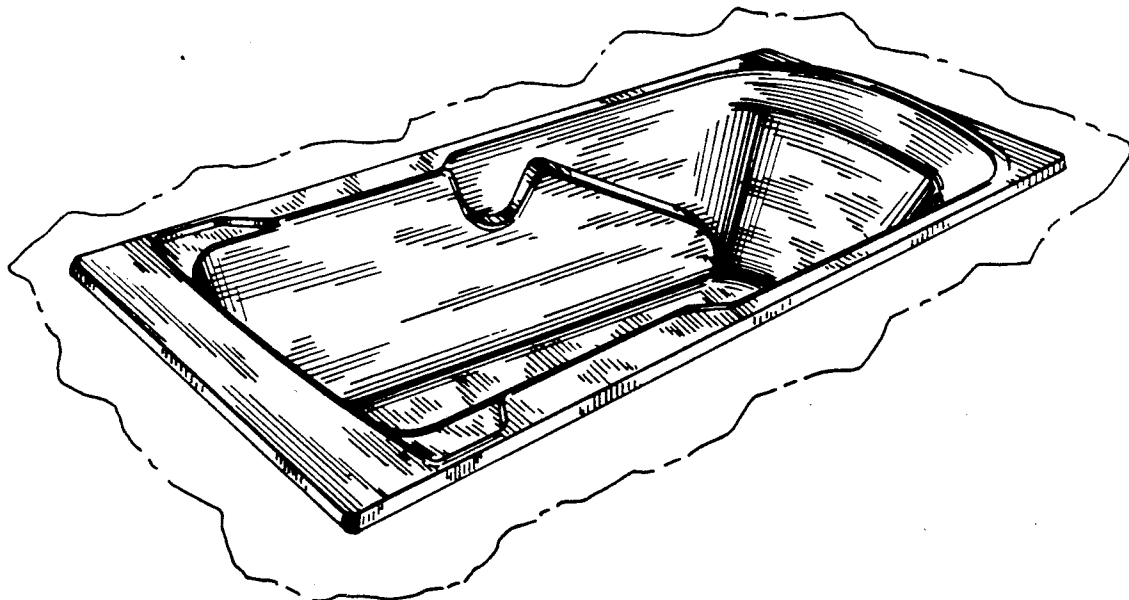
[57] CLAIM

The ornamental design for a tub shell or the like, as shown and described.

DESCRIPTION

FIG. 1 is a perspective view taken from the top, front and left side of a tub shell or the like showing my new design;
 FIG. 2 is an alternate perspective view taken from the top and left side thereof;
 FIG. 3 is a top plan view thereof;
 FIG. 4 is a cross-sectional view taken on line 4-4 of FIG. 3; and
 FIG. 5 is a cross-sectional view taken on line 5-5 of FIG. 3.
 The fragmentary broken line representations of decks in FIGS. 1 and 2, of holes in FIGS. 3 and 5, and of supporting members in FIGS. 4 and 5 are for the purpose of illustration only and form no part of the claimed design.

- [56] **References Cited**
- U.S. PATENT DOCUMENTS**
- D. 253,008 9/1979 Guigues D23/281
- OTHER PUBLICATIONS**
- Two pages of Jacob Delafon advertisements, undated, showing the Lyria, "Naema", Ibiza, and Eureka tubs (admitted prior art).



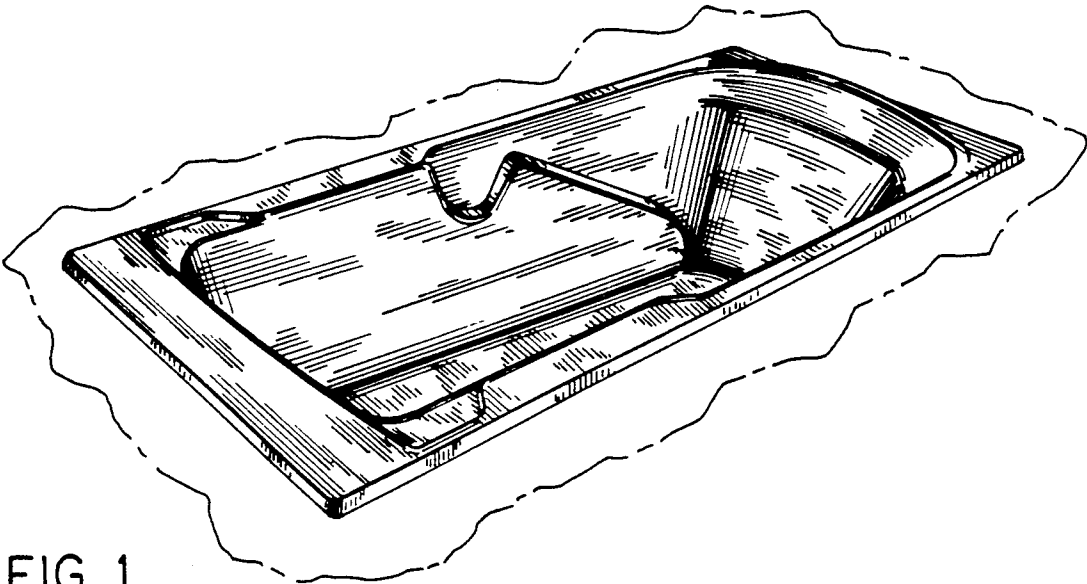


FIG. 1

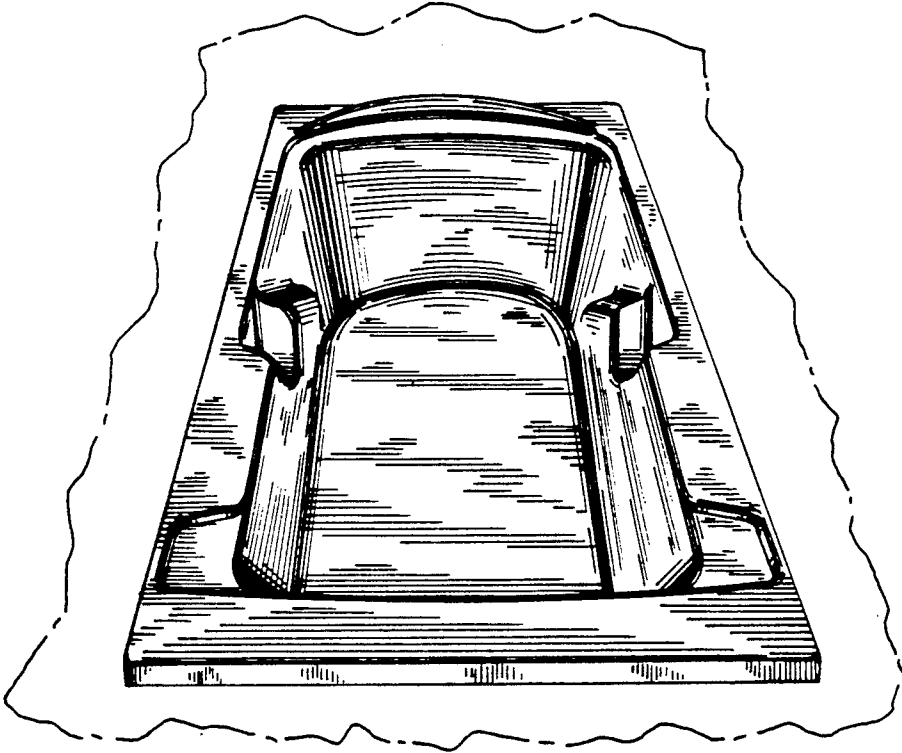


FIG. 2

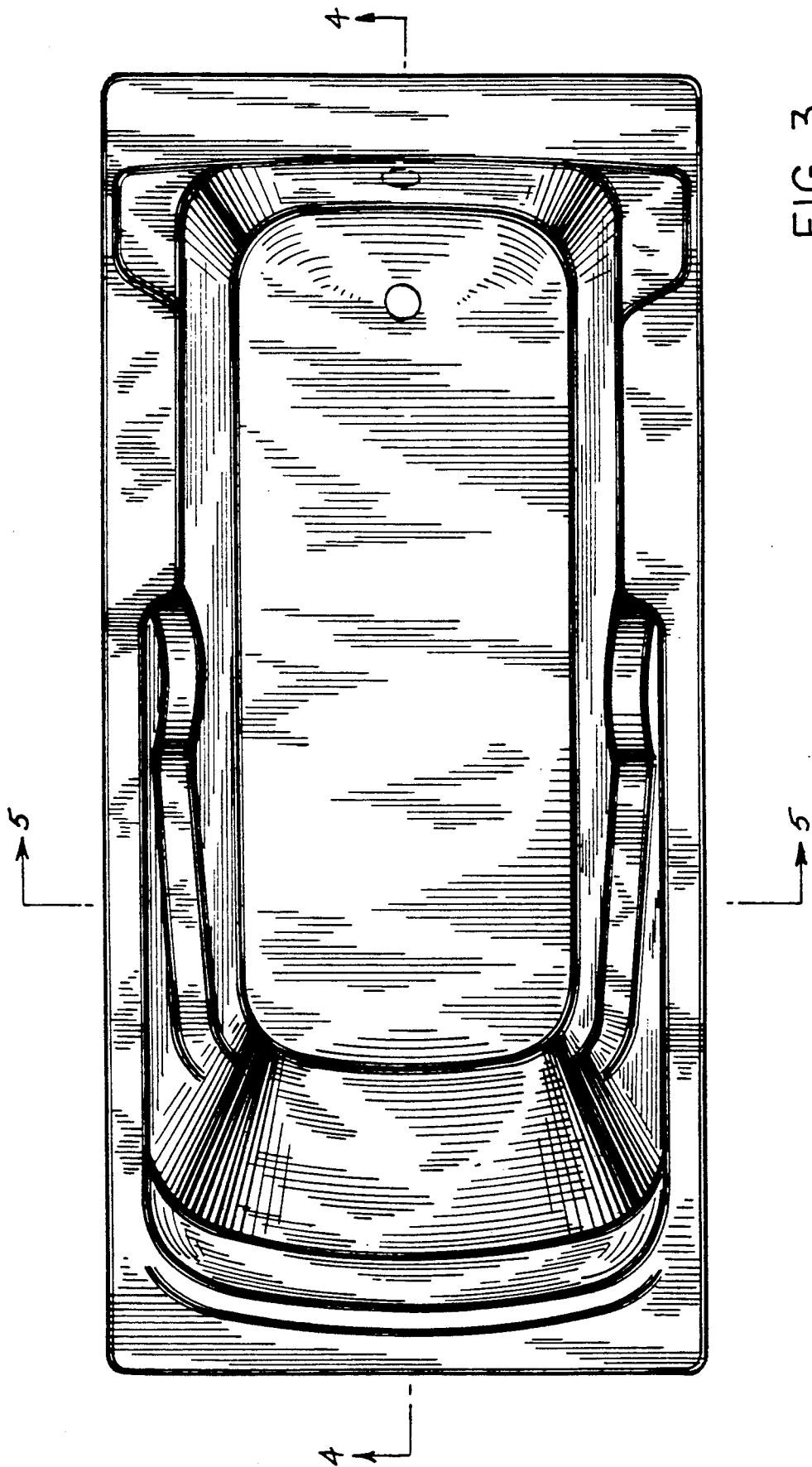


FIG. 3

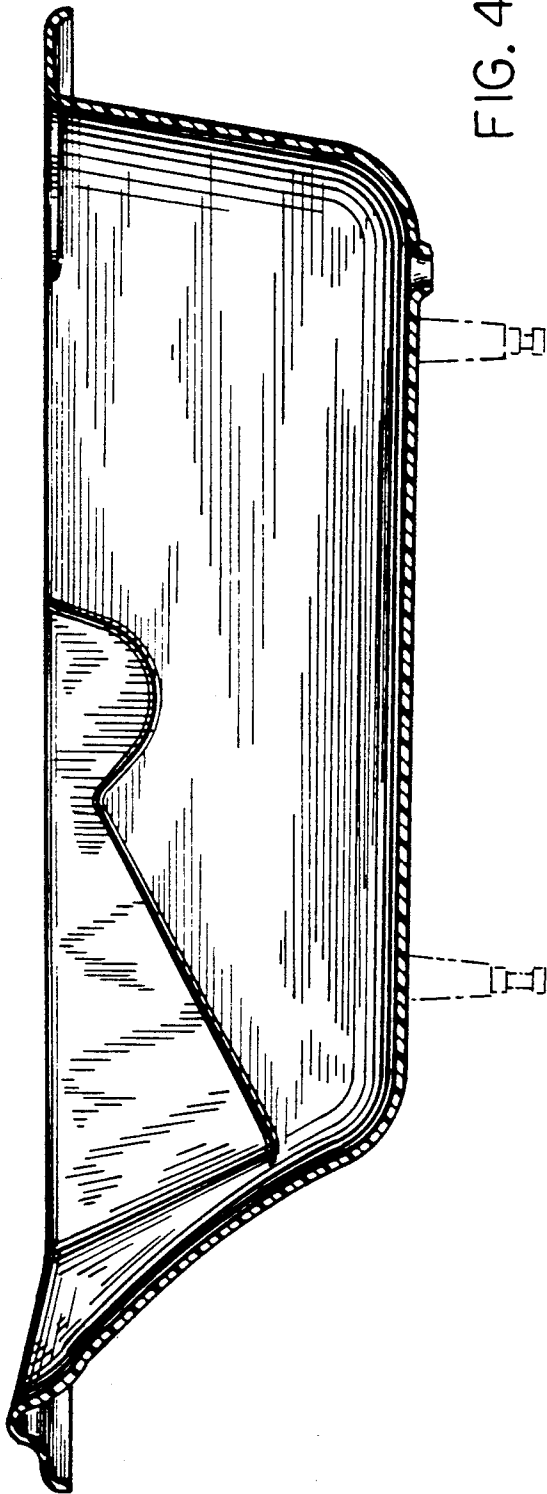


FIG. 4

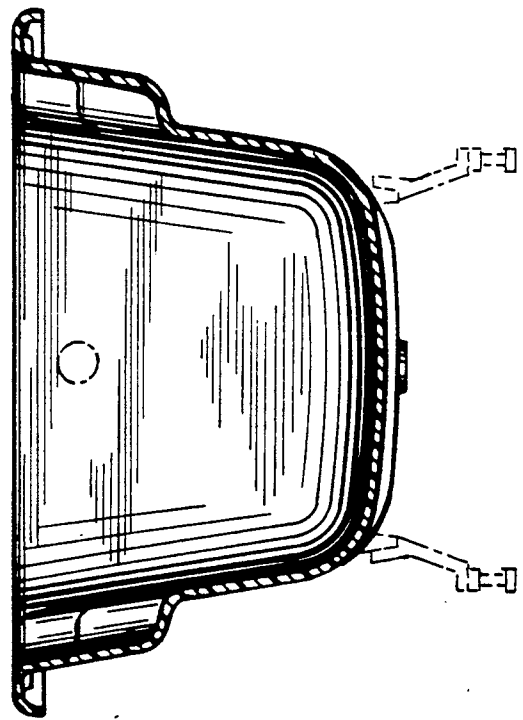


FIG. 5