



US00D711684S

(12) **United States Design Patent**  
**Perdomo**

(10) **Patent No.:** **US D711,684 S**

(45) **Date of Patent:** **\*\* Aug. 26, 2014**

(54) **HANDLE FOR MUG**

(71) Applicant: **Janine Perdomo**, Sunny Isles Beach, FL  
(US)

(72) Inventor: **Janine Perdomo**, Sunny Isles Beach, FL  
(US)

(73) Assignees: **Janine Perdomo**, Sunny Isles Beach, FL  
(US); **Nicholas I. Perdomo**, Sunny Isles  
Beach, FL (US)

(\*\*) Term: **14 Years**

(21) Appl. No.: **29/468,724**

(22) Filed: **Oct. 2, 2013**

(51) **LOC (10) Cl.** ..... **07-02**

(52) **U.S. Cl.**  
USPC ..... **D7/394**

(58) **Field of Classification Search**

USPC ..... D7/500, 509-511, 523, 532, 533, 538,  
D7/393, 394, 395, 396.2; D9/500;  
220/703, 710.5, 711, 592.16, 592.17,  
220/4.01; 215/387, 363; D8/107, 300, 315,  
D8/319, 320

See application file for complete search history.

(56) **References Cited**

U.S. PATENT DOCUMENTS

D406,985 S *	3/1999	Trombly .....	D7/536
D417,365 S *	12/1999	Huang .....	D7/511
D445,640 S *	7/2001	Cruz et al. ....	D7/392
D459,942 S *	7/2002	Miller .....	D7/394
D476,528 S *	7/2003	Janky et al. ....	D7/536
D567,589 S *	4/2008	Freeman .....	D7/536
D569,191 S *	5/2008	Germany .....	D7/536
D615,820 S *	5/2010	Wang Chen .....	D7/536

\* cited by examiner

*Primary Examiner* — Cynthia M Chin

(74) *Attorney, Agent, or Firm* — Cowan, Liebowitz &  
Latman, P.C.; Mark Montague, Esq.; Serge Krimnus, Esq.

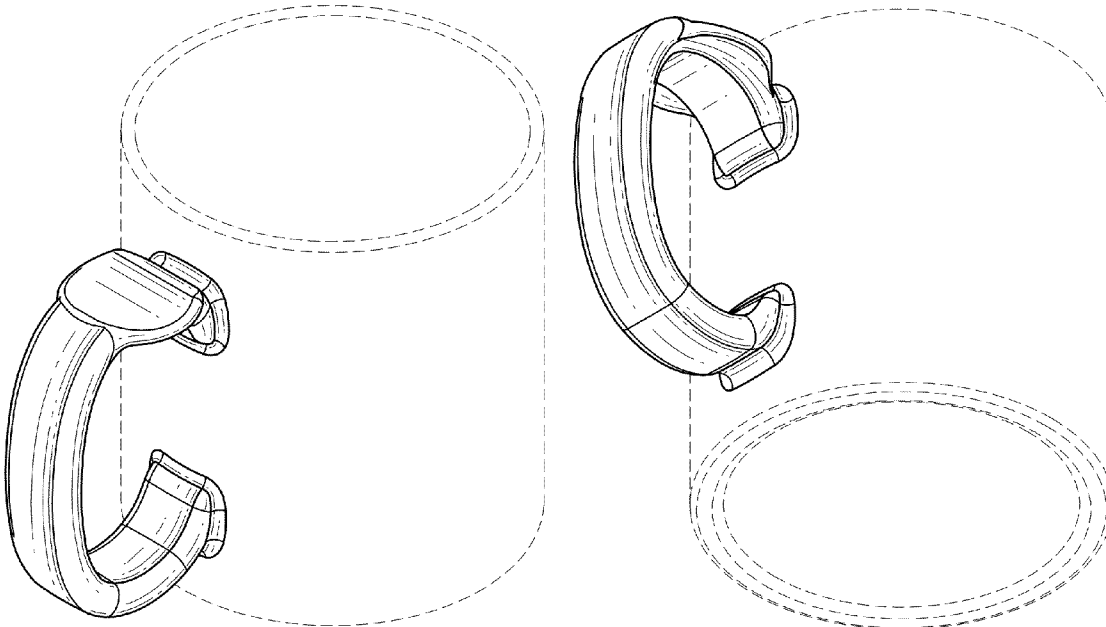
(57) **CLAIM**

The ornamental design for a handle for mug, as shown and  
described.

**DESCRIPTION**

FIG. 1 is a top perspective view of the handle for mug of the  
present invention;  
FIG. 2 is a bottom perspective view thereof;  
FIG. 3 is a front elevational view thereof, the rear side being  
a mirror image;  
FIG. 4 is a left side elevational view thereof;  
FIG. 5 is a top plan view thereof; and,  
FIG. 6 is a bottom plan view thereof.  
The broken lines shown are included for the purpose of illus-  
trating the environment in which the article resides and form  
no part of the claimed design.

**1 Claim, 3 Drawing Sheets**



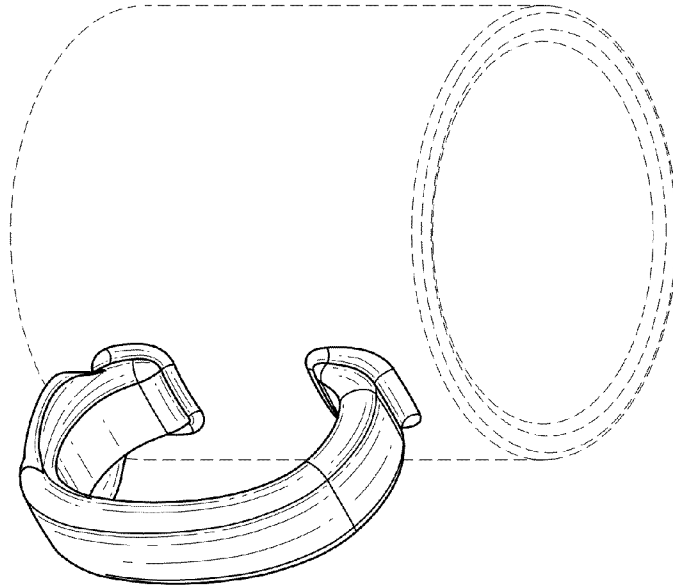


FIG. 2

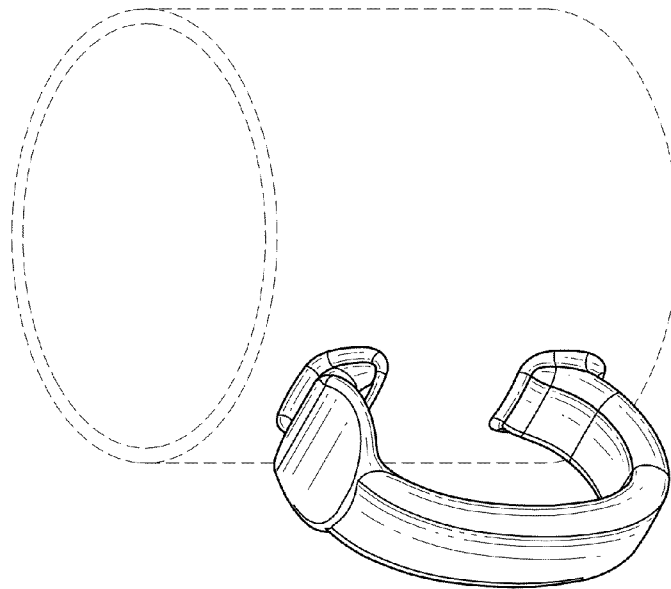


FIG. 1

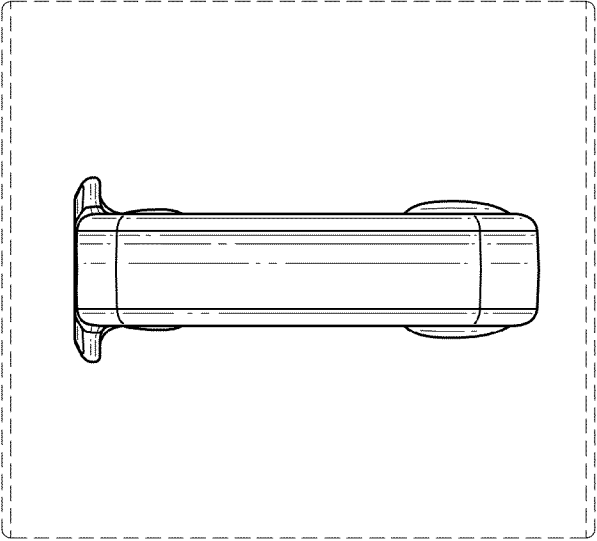


FIG. 4

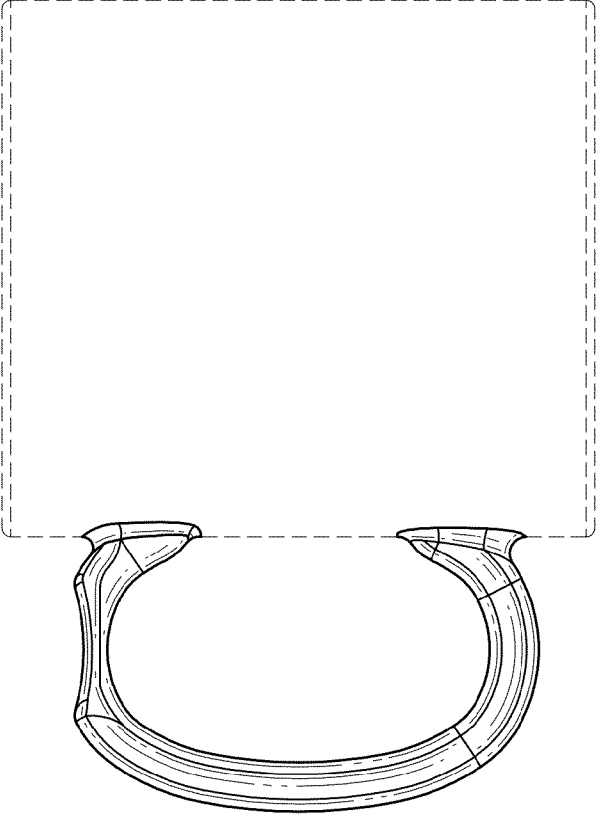


FIG. 3

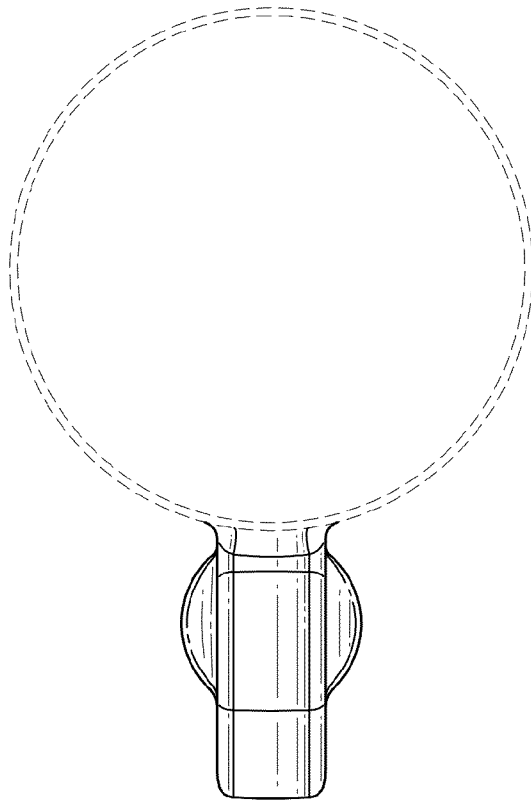


FIG. 6

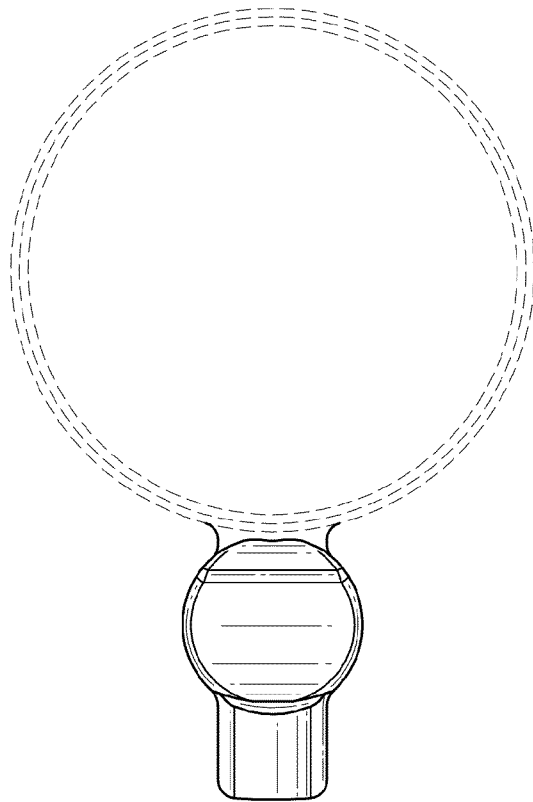


FIG. 5