



US00D517015S

(12) **United States Design Patent**  
**Riku**

(10) **Patent No.:** **US D517,015 S**

(45) **Date of Patent:** **\*\* \*Mar. 14, 2006**

(54) **ELECTRICAL CONNECTOR**

(75) Inventor: **Kazuya Riku, Tokyo (JP)**

(73) Assignee: **Tyco Electronics AMP K.K., Kanagawa-ken (JP)**

(\*) Notice: This patent is subject to a terminal disclaimer.

(\*\*) Term: **14 Years**

(21) Appl. No.: **29/219,326**

(22) Filed: **Dec. 14, 2004**

(30) **Foreign Application Priority Data**

Jun. 15, 2004 (JP) ..... 2004-017859

(51) **LOC (8) Cl.** ..... **13-03**

(52) **U.S. Cl.** ..... **D13/147**

(58) **Field of Classification Search** ..... D13/133,  
D13/184, 154, 199, 146-147; 439/79, 101,  
439/108, 344, 350, 352, 447, 557, 571, 573,  
439/540.1, 541.5, 607-608, 825

See application file for complete search history.

(56) **References Cited**

**U.S. PATENT DOCUMENTS**

5,259,768	A	*	11/1993	Brunker et al.	.....	439/60
D434,379	S	*	11/2000	Funatsu	.....	D13/147
6,149,468	A	*	11/2000	Meng	.....	439/637
6,210,240	B1	*	4/2001	Comerci et al.	.....	439/853

6,319,075	B1		11/2001	Clark et al.		
D452,481	S	*	12/2001	Shimojyo	.....	D13/147
D453,735	S	*	2/2002	Yoneyama et al.	.....	D13/147
D462,057	S	*	8/2002	Okamoto	.....	D13/147
D474,747	S	*	5/2003	Naganawa et al.	.....	D13/147
D474,749	S	*	5/2003	Naganawa et al.	.....	D13/147
D475,017	S	*	5/2003	Naganawa et al.	.....	D13/147
6,688,909	B1	*	2/2004	Espenshade et al.	.....	439/490
D492,258	S	*	6/2004	Naganawa et al.	.....	D13/147

\* cited by examiner

*Primary Examiner*—Stella Reid

*Assistant Examiner*—Daniel Bui

(74) *Attorney, Agent, or Firm*—Barley Snyder LLC

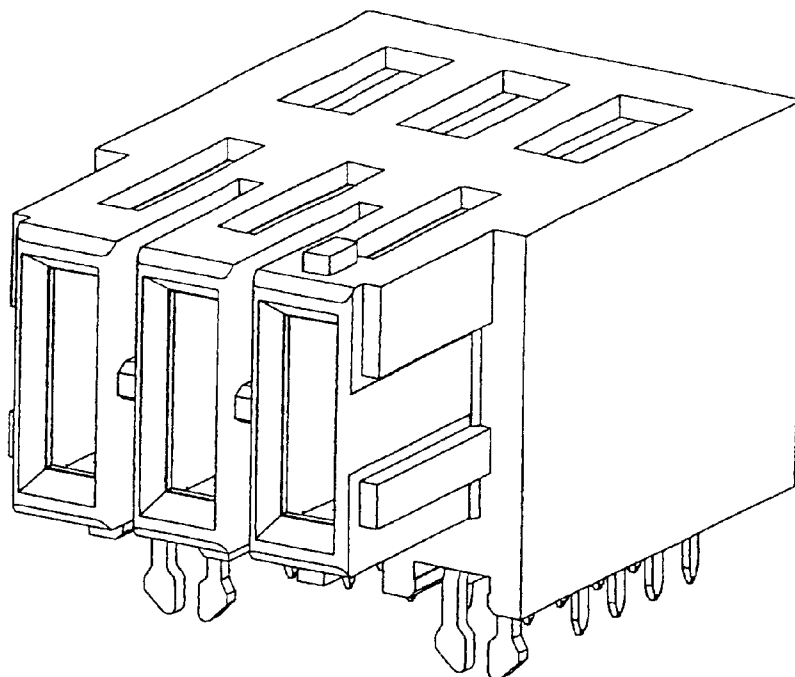
(57) **CLAIM**

The ornamental design for an electrical connector, as shown and described.

**DESCRIPTION**

FIG. 1 is a front elevation view of an electrical connector, showing my new design;  
 FIG. 2 is a top plan view thereof;  
 FIG. 3 is a bottom plan view thereof;  
 FIG. 4 is a right side elevation view thereof;  
 FIG. 5 is a left side elevation view thereof;  
 FIG. 6 is a rear elevation view thereof;  
 FIG. 7 is a cross sectional view thereof; taken along the line 7-7 in FIG. 1; and,  
 FIG. 8 is a top, front and right side perspective view thereof.

**1 Claim, 8 Drawing Sheets**



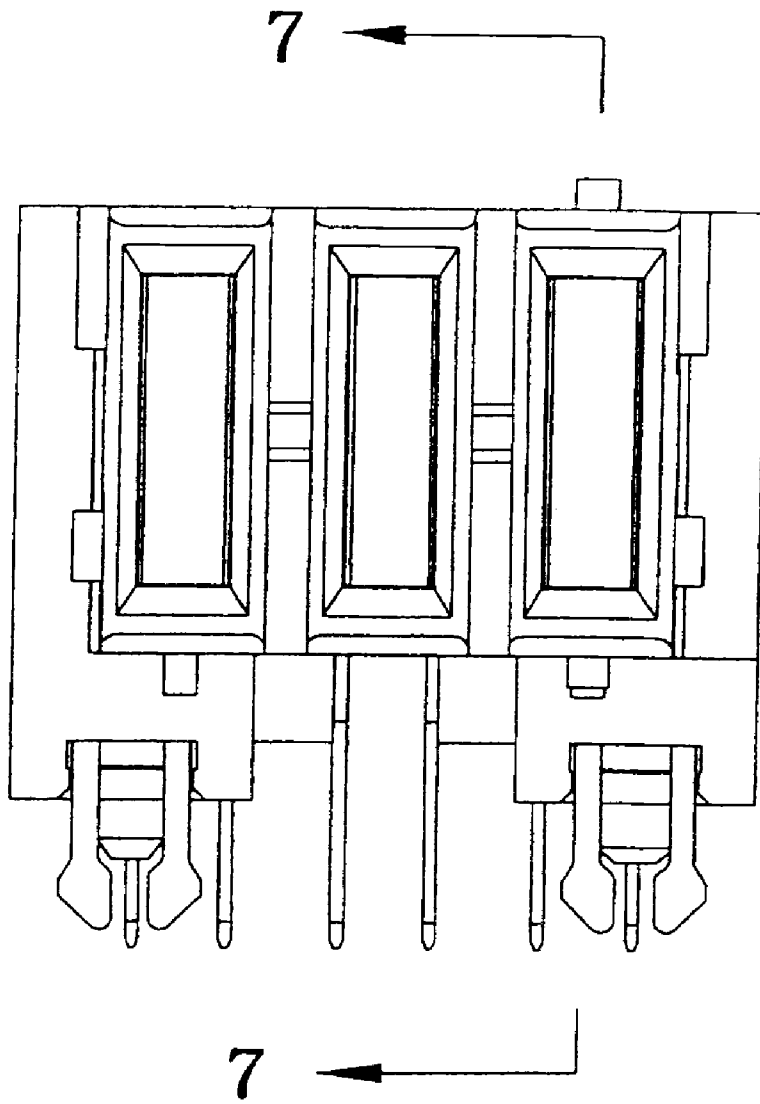


FIG. 1

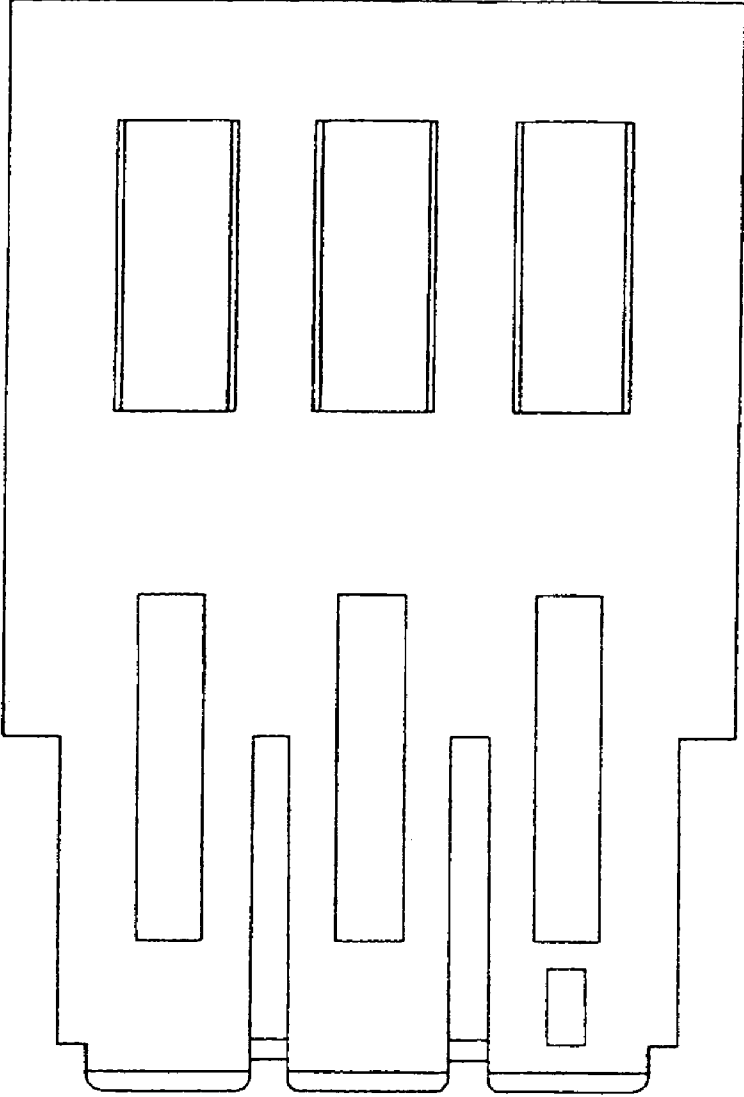


FIG. 2

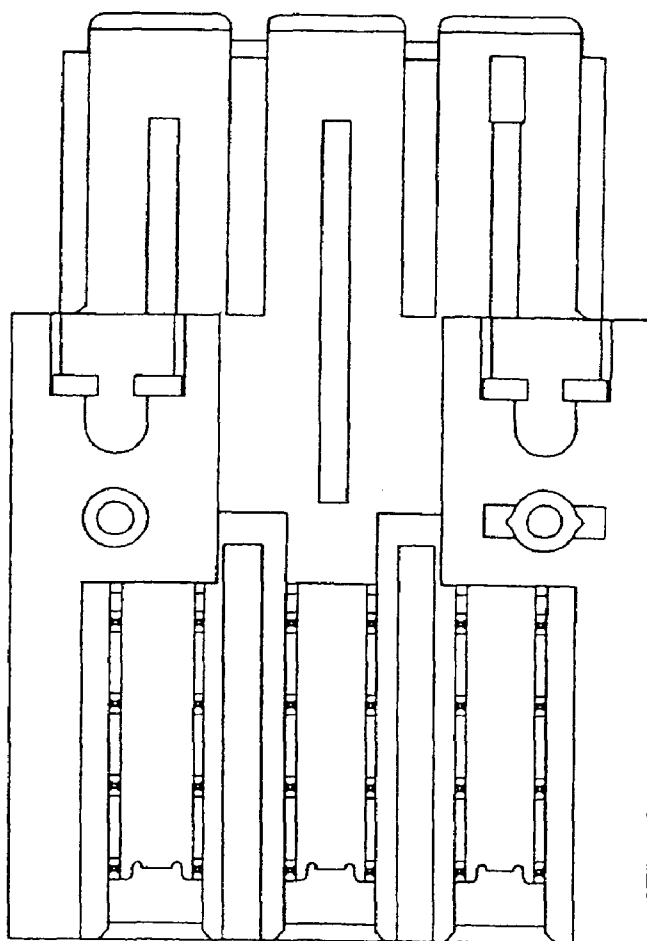


FIG. 3

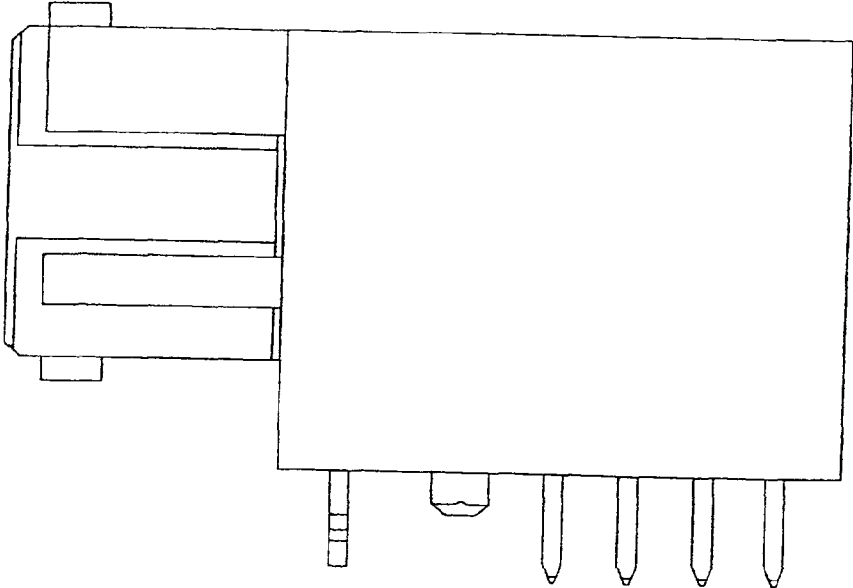


FIG. 4

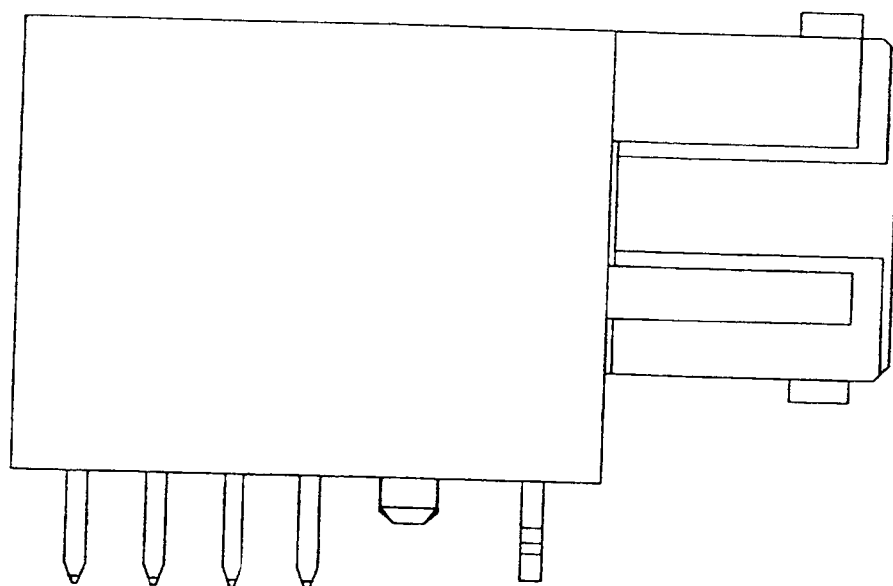


FIG. 5

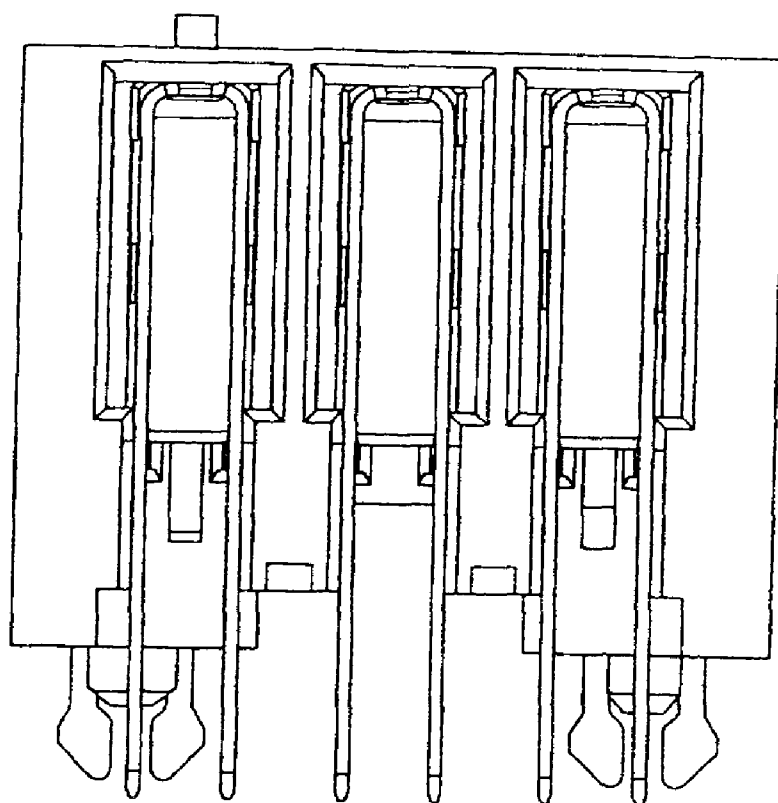


FIG. 6

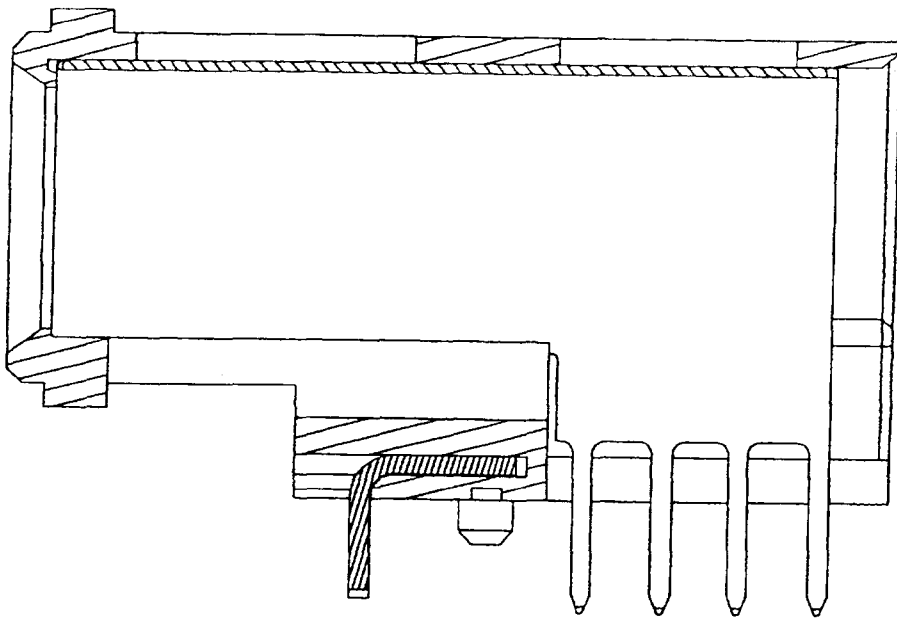


FIG. 7

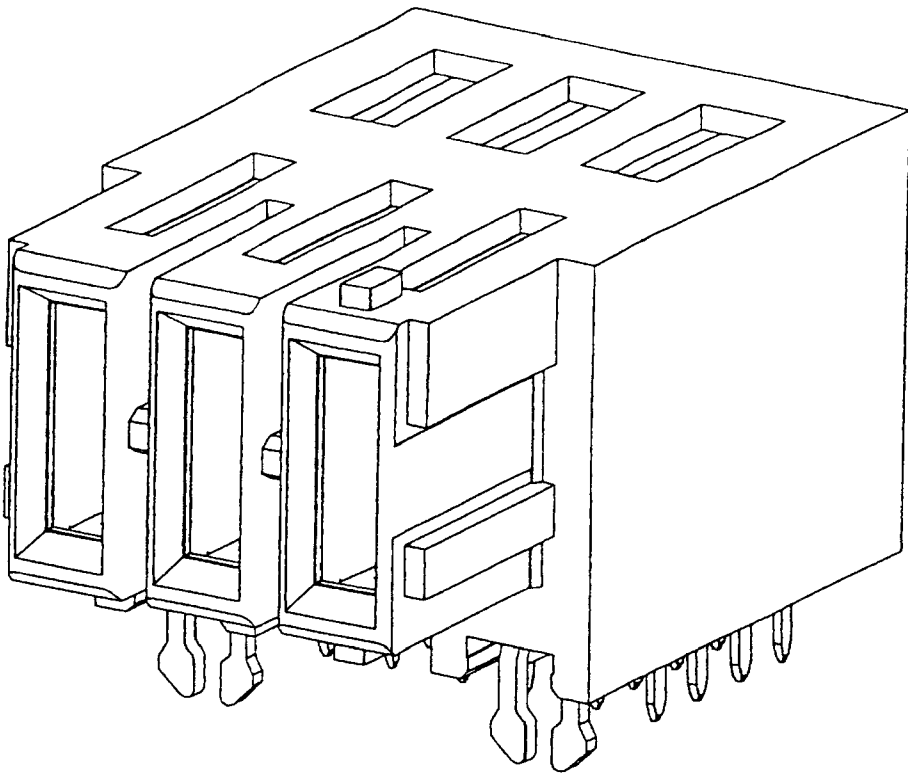


FIG. 8