

(19) World Intellectual Property Organization
International Bureau



(43) International Publication Date
5 February 2009 (05.02.2009)

PCT

(10) International Publication Number
WO 2009/017313 A3

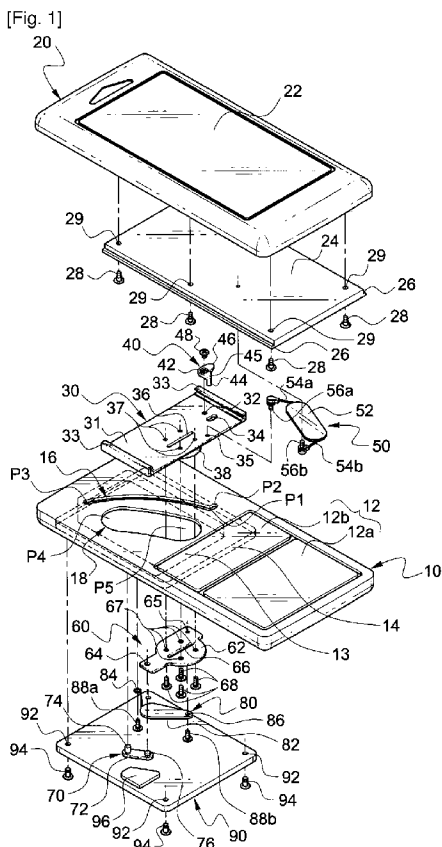
- (51) International Patent Classification:
H04B 1/38 (2006.01)
- (21) International Application Number:
PCT/KR2008/004132
- (22) International Filing Date: 14 July 2008 (14.07.2008)
- (25) Filing Language: English
- (26) Publication Language: English
- (30) Priority Data:
10-2007-0076385 30 July 2007 (30.07.2007) KR
- (71) Applicant (for all designated States except US): P & TEL
INC. [KR/KR]; 2, Mullae-dong 5-ga, Yeongdeungpo-gu,
Seoul 150-958 (KR).
- (71) Applicant and
- (72) Inventor: LEE, HanSang [KR/KR]; 2007, SK Leaders
View, 168, Dogok-dong, Gangnam-gu, Seoul 135-270
(KR).
- (74) Agent: PARK, HeeJin; 401, Miele Haus Building,
607-10, Yeoksam-dong, Gangnam-gu, Seoul 135-080
(KR).

- (81) Designated States (unless otherwise indicated, for every
kind of national protection available): AE, AG, AL, AM,
AO, AT, AU, AZ, BA, BB, BG, BH, BR, BW, BY, BZ, CA,
CH, CN, CO, CR, CU, CZ, DE, DK, DM, DO, DZ, EC, EE,
EG, ES, FI, GB, GD, GE, GH, GM, GT, HN, HR, HU, ID,
IL, IN, IS, JP, KE, KG, KM, KN, KP, KZ, LA, LC, LK, LR,
LS, LT, LU, LY, MA, MD, ME, MG, MK, MN, MW, MX,
MY, MZ, NA, NG, NI, NO, NZ, OM, PG, PH, PL, PT, RO,
RS, RU, SC, SD, SE, SG, SK, SL, SM, ST, SV, SY, TJ, TM,
TN, TR, TT, TZ, UA, UG, US, UZ, VC, VN, ZA, ZM, ZW.
- (84) Designated States (unless otherwise indicated, for every
kind of regional protection available): ARIPO (BW, GH,
GM, KE, LS, MW, MZ, NA, SD, SL, SZ, TZ, UG, ZM,
ZW), Eurasian (AM, AZ, BY, KG, KZ, MD, RU, TJ, TM),
European (AT, BE, BG, CH, CY, CZ, DE, DK, EE, ES, FI,
FR, GB, GR, HR, HU, IE, IS, IT, LT, LU, LV, MC, MT, NL,
NO, PL, PT, RO, SE, SI, SK, TR), OAPI (BF, BJ, CF, CG,
CI, CM, GA, GN, GQ, GW, ML, MR, NE, SN, TD, TG).

Published:
— with international search report

[Continued on next page]

(54) Title: COMBINED MECHANISM FOR SLIDING MOVEMENT AND ROTATING MOVEMENT AND A PORTABLE ELECTRONIC APPLIANCE EMPLOYING THE SAME



(57) Abstract: Disclosed is a combined sliding and rotation mechanism adapted to a device. When the sliding housing enters into a sliding operation mode from a closed condition, the constraint tip of the base swing link escapes from the constraint recess of the sliding housing, and the guide protrusion of the base swing link simultaneously moves from a boundary point between the horizontal recess and the slanted recess of the rotation guide recess to a terminal point of the horizontal recess so that the sliding housing is constrained and prevented from rotating. In addition, when the sliding housing enters into a rotation operation mode from the closed condition, the pad of the hinge base slides from a lower end of the rotation sliding opening to an upper end of the rotation sliding opening, the guide protrusion of the base swing link simultaneously slides from a lower end of the slanted recess to an upper end of the slanted recess and allows the sliding housing to rotate relative to the main housing, and the constraint tip of the base swing link remains inserted into the constraint recess of the sliding housing during the rotation process so that the sliding housing is not allowed to slide in the longitudinal direction of the main housing.

WO 2009/017313 A3



— *before the expiration of the time limit for amending the claims and to be republished in the event of receipt of amendments*

(88) Date of publication of the international search report:
19 March 2009

INTERNATIONAL SEARCH REPORT

International application No.
PCT/KR2008/004132**A. CLASSIFICATION OF SUBJECT MATTER****H04B 1/38(2006.01)i**

According to International Patent Classification (IPC) or to both national classification and IPC

B. FIELDS SEARCHED

Minimum documentation searched (classification system followed by classification symbols)

IPC 8 F16C, H04B, H04M

Documentation searched other than minimum documentation to the extent that such documents are included in the fields searched

Korean Utility models and applications for Utility Models since 1975
Japanese Utility models and applications for Utility Models since 1975

Electronic data base consulted during the international search (name of data base and, where practicable, search terms used)

eKIPASS(KIPO internal) & keywords : "slide", "swing, rotate"

C. DOCUMENTS CONSIDERED TO BE RELEVANT

Category*	Citation of document, with indication, where appropriate, of the relevant passages	Relevant to claim No.
A	EP 1703704 A2(SAMSUNG ELECTRONICS CO.,LTD.) 20 SEPTEMBER 2006 abstract, claims 1, 23, figures 1, 4, 10, 13-14 and their related descriptions	1-20
A	EP 1531604 A2((SAMSUNG ELECTRONICS CO.,LTD.) 18 MAY 2005 abstract, claims 1, 13, 20, 37, 50, figure 1, 7-9	1-20
A	EP 1638295 A1(SAMSUNG ELECTRONICS CO.,LTD.) 22 MARCH 2006 abstract, figures 1, 15, 17 and their related descriptions	1-20
A	JP 2007-071283 A(STROBERY COPORATION) 22 MARCH 2007 abstract, figures 1-4 and their related descriptions	1-20

 Further documents are listed in the continuation of Box C. See patent family annex.

* Special categories of cited documents:

"A" document defining the general state of the art which is not considered to be of particular relevance

"E" earlier application or patent but published on or after the international filing date

"L" document which may throw doubts on priority claim(s) or which is cited to establish the publication date of citation or other special reason (as specified)

"O" document referring to an oral disclosure, use, exhibition or other means

"P" document published prior to the international filing date but later than the priority date claimed

"T" later document published after the international filing date or priority date and not in conflict with the application but cited to understand the principle or theory underlying the invention

"X" document of particular relevance; the claimed invention cannot be considered novel or cannot be considered to involve an inventive step when the document is taken alone

"Y" document of particular relevance; the claimed invention cannot be considered to involve an inventive step when the document is combined with one or more other such documents, such combination being obvious to a person skilled in the art

"&" document member of the same patent family

Date of the actual completion of the international search

21 JANUARY 2009 (21.01.2009)

Date of mailing of the international search report

22 JANUARY 2009 (22.01.2009)

Name and mailing address of the ISA/KR

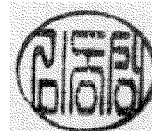
Korean Intellectual Property Office
Government Complex-Daejeon, 139 Seonsa-ro, Seo-gu, Daejeon 302-701, Republic of Korea

Facsimile No. 82-42-472-7140

Authorized officer

KIM, Dong Sung

Telephone No. 82-42-481-8519



INTERNATIONAL SEARCH REPORT

Information on patent family members

International application No.

PCT/KR2008/004132

Patent document cited in search report	Publication date	Patent family member(s)	Publication date
EP 1703704 A2	20.09.2006	KR 10-2006-0100511 A CN 1835519 A EP 1703704 A3 US 2006-211460 A1	21.09.2006 20.09.2006 11.04.2007 21.09.2006
EP 1531604 A2	18.05.2005	AU 2004-229031 A1 AU 2004-229031 B2 CN 1620238 A JP 2005-147401 A KR 10-2005-0046519 A	02.06.2005 02.06.2005 25.05.2005 09.06.2005 18.05.2005
EP 1638295 A1	22.03.2006	CN 1750743 A KR 10-2006-25744 A	22.03.2006 22.03.2006
JP 2007-071283 A	22.03.2007	NONE	