



US00D814465S

(12) **United States Design Patent**
Kim et al.

(10) **Patent No.:** **US D814,465 S**
(45) **Date of Patent:** **** Apr. 3, 2018**

(54) **MONITOR**

(56) **References Cited**

(71) Applicant: **LG ELECTRONICS INC.**, Seoul (KR)

U.S. PATENT DOCUMENTS

(72) Inventors: **Byungsoo Kim**, Seoul (KR); **Seongahn Jeon**, Seoul (KR); **Sangho Lee**, Seoul (KR); **Hyuntae Ahn**, Seoul (KR); **Sanggi Kim**, Seoul (KR)

D534,138	S	*	12/2006	Lee	D14/126
D544,849	S	*	6/2007	Yang	D14/126
D548,708	S	*	8/2007	Park	D14/126
D570,841	S	*	6/2008	Kim	D14/375
D612,820	S	*	3/2010	Jeong	D14/126
D618,241	S	*	6/2010	Akana	D14/374
D663,706	S	*	7/2012	Cha	D14/126
D725,649	S	*	3/2015	Pak	D14/336
D727,898	S	*	4/2015	Yum	D14/374

(73) Assignee: **LG Electronics Inc.**, Seoul (KR)

* cited by examiner

(**) Term: **15 Years**

Primary Examiner — Freda S Nunn

(21) Appl. No.: **29/552,171**

(74) *Attorney, Agent, or Firm* — Birch, Stewart, Kolasch & Birch, LLP

(22) Filed: **Jan. 20, 2016**

(30) **Foreign Application Priority Data**

Jul. 21, 2015 (KR) 30-2015-0036720

(57) **CLAIM**

The ornamental design for a monitor, as shown and described.

(51) **LOC (11) Cl.** **14-02**

DESCRIPTION

(52) **U.S. Cl.**

USPC **D14/374**

(58) **Field of Classification Search**

USPC D14/371-375, 125-129, 336, 337, 341, D14/239; 341/12; 345/104, 156, 168, 345/173; 348/180, 184, 325, 739; 349/1, 349/2, 11, 62; 361/679.05-679.07, 361/679.21; D6/300, 308

CPC G06F 1/16; G06F 1/1601; G06F 3/037; G06F 1/162; G06F 1/1613; G06F 1/133308; F16M 11/02; F16M 11/10; F16M 11/00; F16M 11/06; F16M 11/18; F16M 11/045; F16M 11/105; F16M 11/041; F16M 11/126; F16M 11/04; F16M 13/02; F16M 11/24; A47F 5/00

See application file for complete search history.

1 Claim, 5 Drawing Sheets

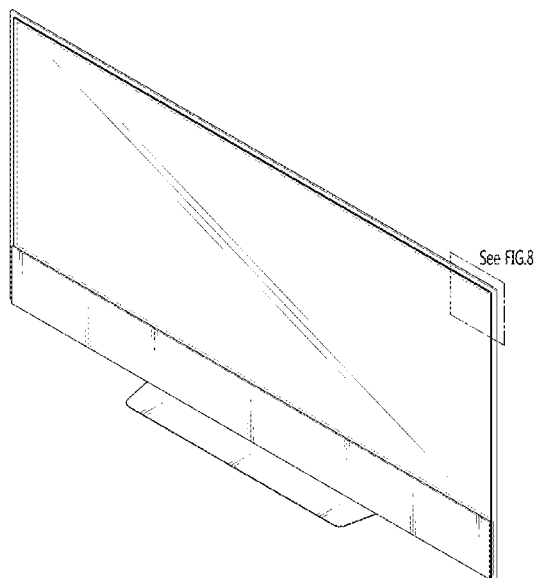


FIG. 1

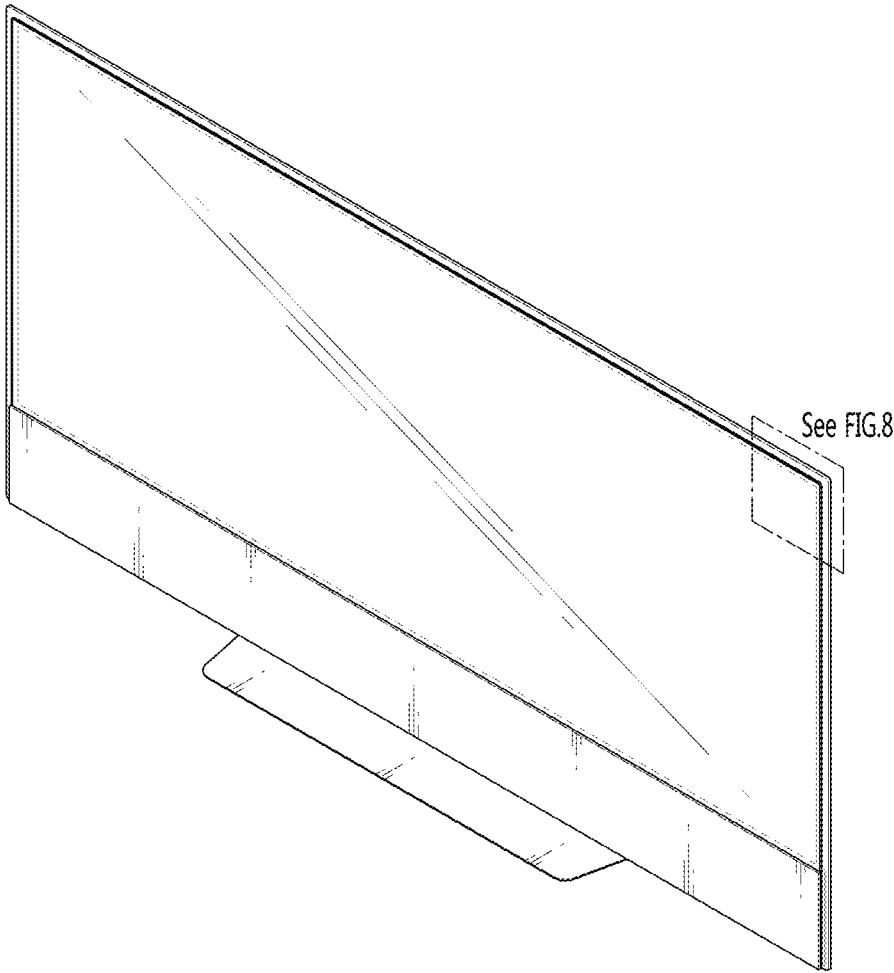


FIG. 2

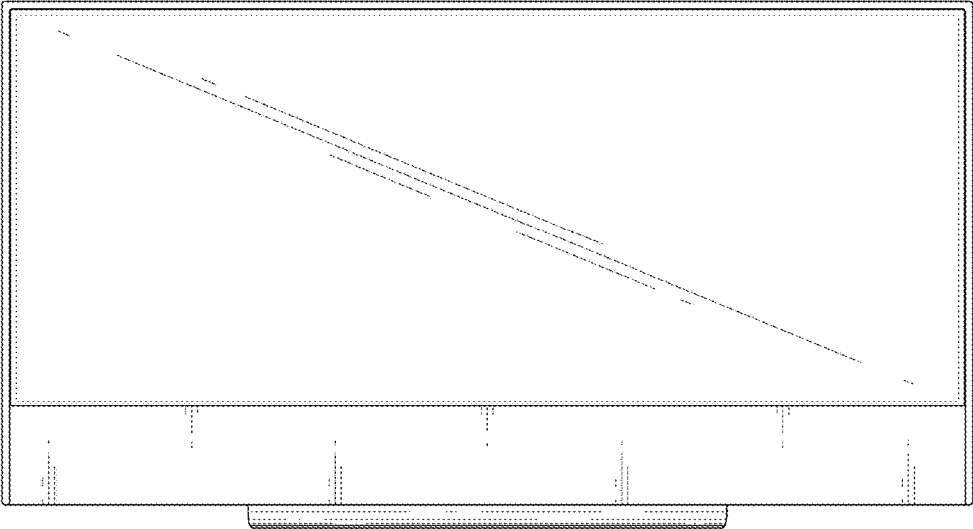


FIG. 3

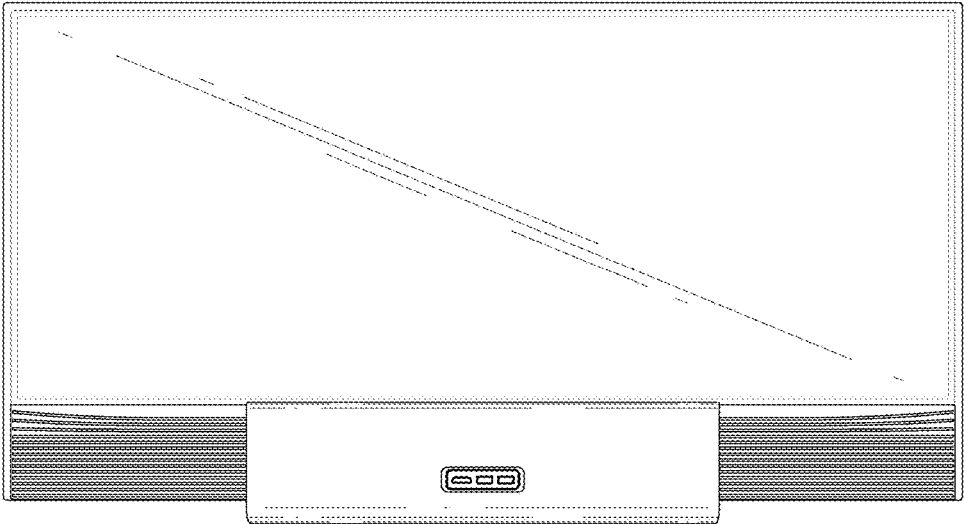


FIG. 4

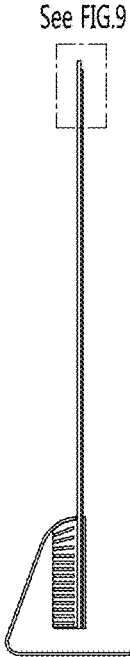


FIG. 5

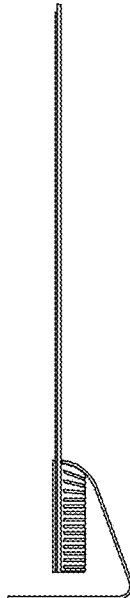


FIG. 6

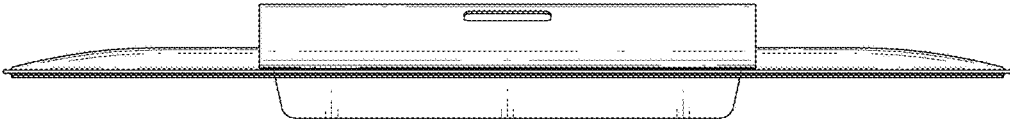


FIG. 7



FIG. 8

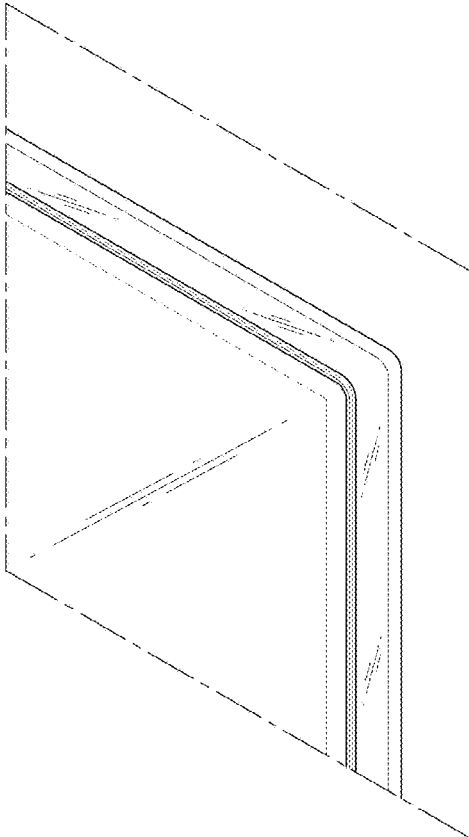


FIG. 9

