



US00D512769S

(12) **United States Design Patent**
Wefler

(10) **Patent No.:** **US D512,769 S**

(45) **Date of Patent:** **** Dec. 13, 2005**

(54) **VOLATILE ACTIVES DISPENSER**

(76) **Inventor:** **Mark E. Wefler**, 4937 High Meadows Ter., Racine, WI (US) 53406

(**) **Term:** **14 Years**

(21) **Appl. No.:** **29/218,519**

(22) **Filed:** **Dec. 3, 2004**

(51) **LOC (6) Cl.** **23-04**

(52) **U.S. Cl.** **D23/366**

(58) **Field of Search** D23/356-369;
392/390, 392, 393, 394, 398; 239/34, 53,
56, 57, 58, 135, 136; 261/DIG. 17, DIG. 65,
DIG. 88, DIG. 89

(56) **References Cited**

U.S. PATENT DOCUMENTS

5,647,053	A	*	7/1997	Schroeder et al.	392/390
D393,063	S	*	3/1998	Wefler	D23/366
6,104,867	A	*	8/2000	Stathakis et al.	392/403
D432,222	S	*	10/2000	Rymer et al.	D23/366
D433,744	S	*	11/2000	Basaganas	D23/366
D437,636	S	*	2/2001	Basaganas	D23/366
D440,291	S	*	4/2001	Wolpert et al.	D23/360
D447,550	S	*	9/2001	Basaganas	D23/366
D449,101	S	*	10/2001	Wolpert et al.	D23/366
D461,885	S	*	8/2002	Jordi	D23/366
D473,638	S	*	4/2003	Cruver, IV	D23/366
D474,268	S	*	5/2003	Choke-arpornchai et al.	D23/366
6,622,662	B1	*	9/2003	Wolpert et al.	122/366
D487,144	S	*	2/2004	Choke-arpornchai et al.	D23/366
D491,256	S	*	6/2004	Fellows et al.	D23/366
6,766,773	B2	*	7/2004	Wolpert et al.	122/366
6,768,865	B2	*	7/2004	Stathakis et al.	392/395

D501,546	S	*	2/2005	Cruver et al.	D23/366
D501,921	S	*	2/2005	Caserta et al.	D23/366
D502,540	S	*	3/2005	Cruver et al.	D23/366
6,862,403	B2	*	3/2005	Pedrotti et al.	392/395
2001/0053283	A1	*	12/2001	Levine et al.	392/395
2002/0021892	A1	*	2/2002	Ambrosi et al.	392/395
2002/0172512	A1	*	11/2002	Stathakis et al.	392/395
2003/0063902	A1	*	4/2003	Pedrotti et al.	392/395
2003/0138241	A1	*	7/2003	Pedrotti et al.	392/395
2003/0194225	A1	*	10/2003	Pedrotti et al.	392/395
2003/0231877	A1	*	12/2003	Wolpert et al.	392/390

* cited by examiner

Primary Examiner—Sandra S. Snapp

(57) **CLAIM**

The ornamental design for a volatile actives dispenser, as shown and described.

DESCRIPTION

FIG. 1 is a front perspective view from above and to one side of a volatile actives dispenser depicting a new design.

FIG. 2 is a front elevational view of the volatile actives dispenser of FIG. 1.

FIG. 3 is a back elevational view of the volatile actives dispenser of FIG. 1.

FIG. 4 is a side elevational view of the volatile actives dispenser of FIG. 1.

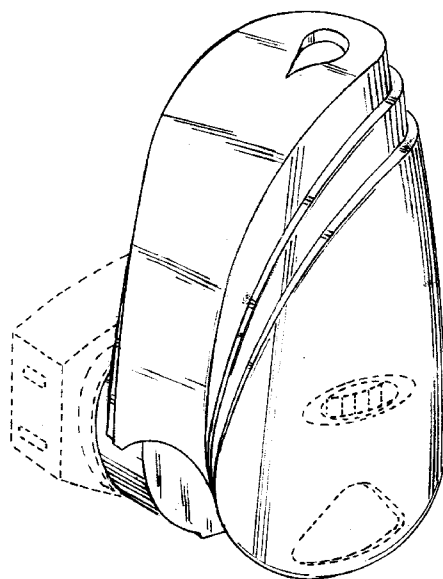
FIG. 5 is a side elevational view of the volatile actives dispenser of FIG. 1.

FIG. 6 is a top plan view of the volatile actives dispenser of FIG. 1; and,

FIG. 7 is a bottom plan view of the volatile actives dispenser of FIG. 1.

The broken lines showing in FIGS. 1-7 are for illustrative purposes only and form no part of the claimed design.

1 Claim, 3 Drawing Sheets



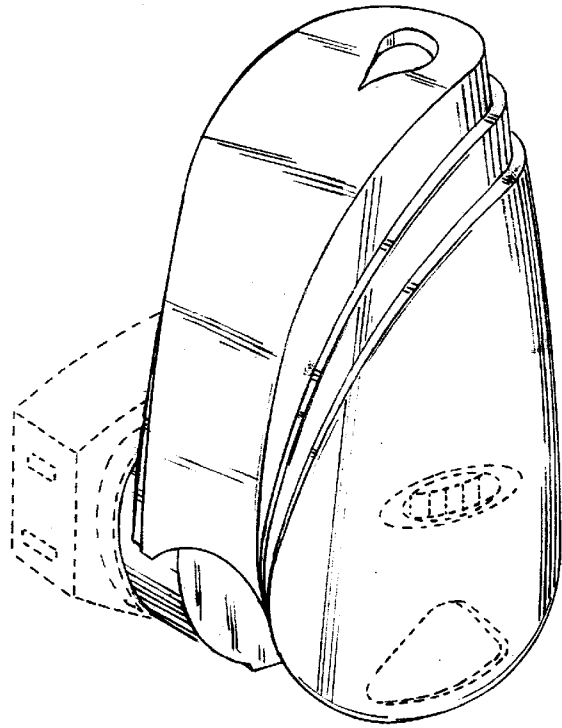


FIG. 1

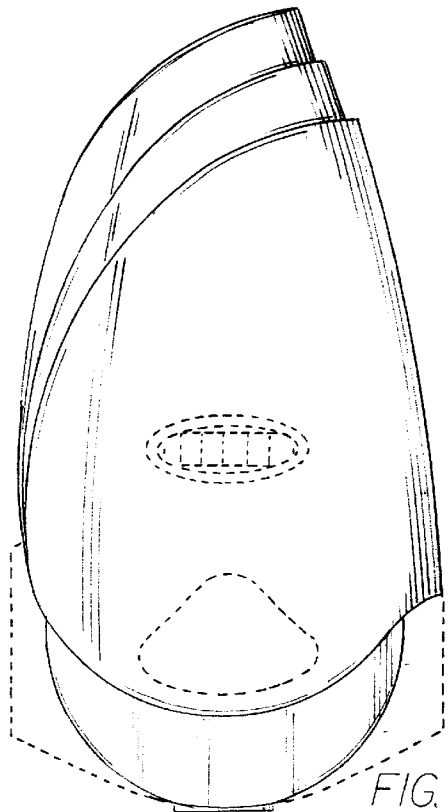


FIG. 2

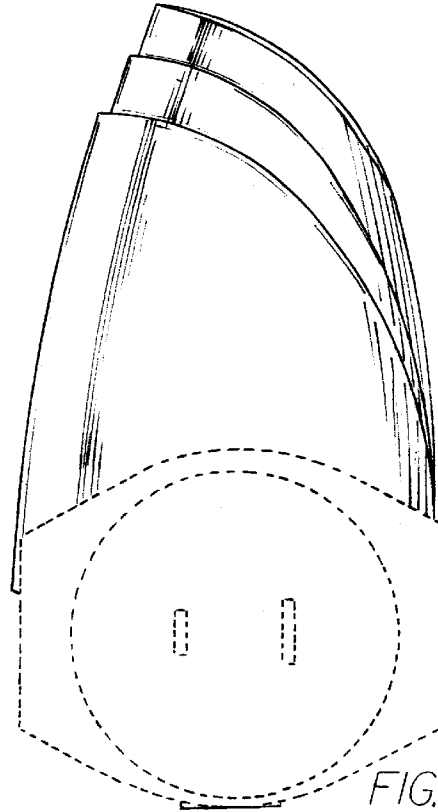


FIG. 3

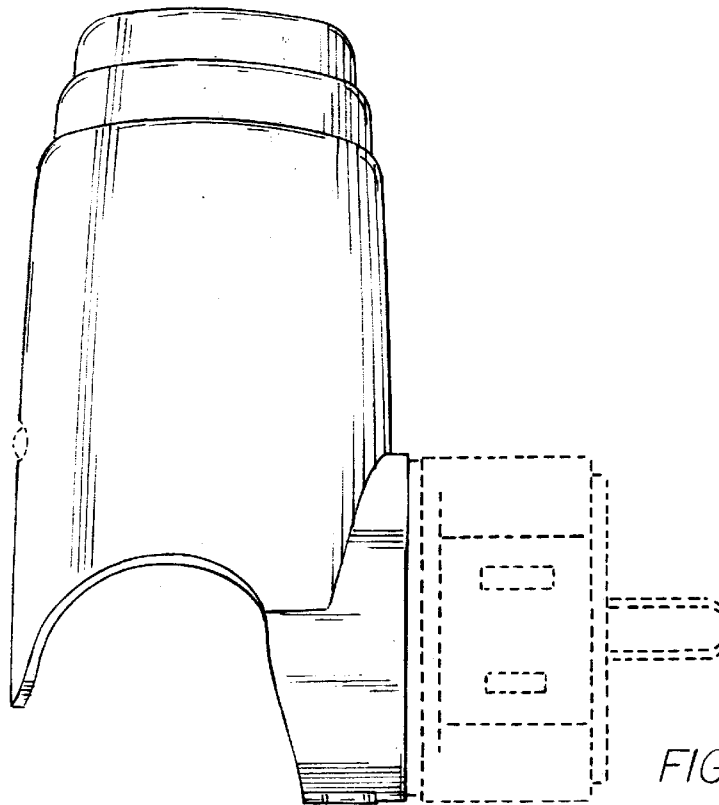


FIG. 4

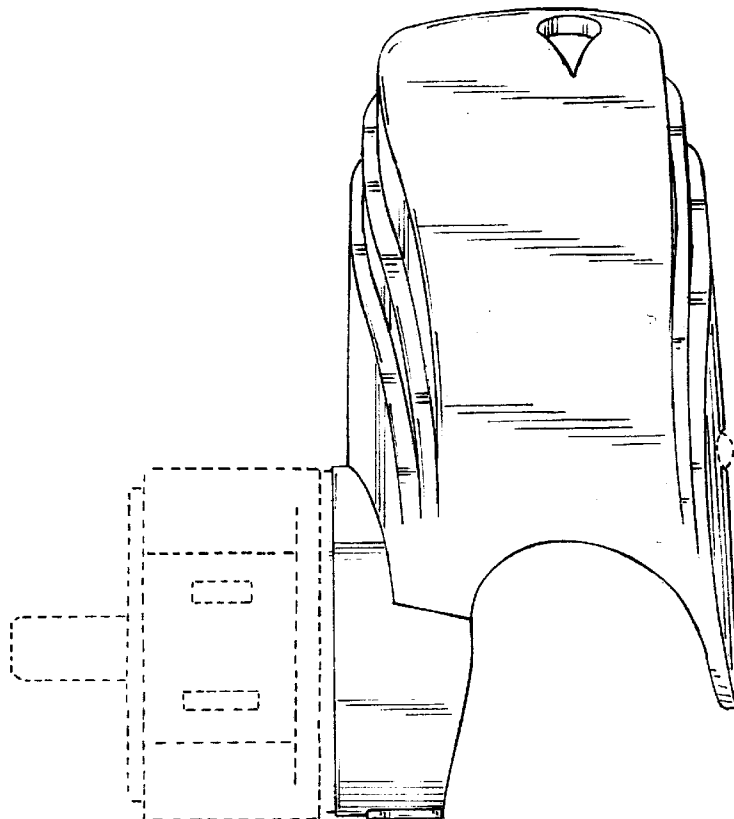


FIG. 5

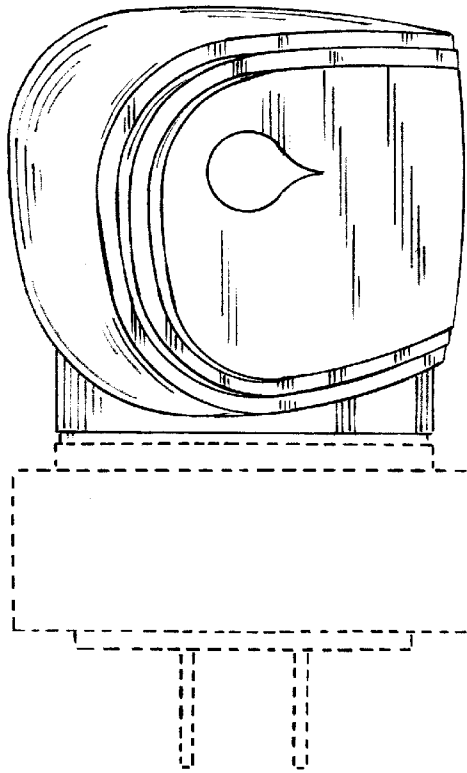


FIG. 6

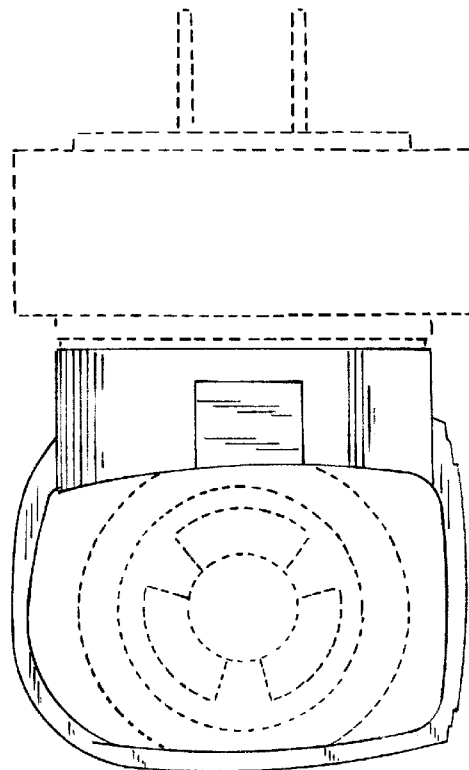


FIG. 7