



US00D668331S

(12) **United States Design Patent**
Ren et al.

(10) **Patent No.:** **US D668,331 S**
(45) **Date of Patent:** **** Oct. 2, 2012**

(54) **SURGICAL BOWL**

(75) Inventors: **XingQuan (Peter) Ren**, Chicago, IL
(US); **Brian Anthony Foley**, Barrington,
IL (US)

(73) Assignee: **Medline Industries, Inc.**, Mundelein, IL
(US)

(**) Term: **14 Years**

(21) Appl. No.: **29/363,403**

(22) Filed: **Jun. 9, 2010**

(51) **LOC (9) Cl.** **24-04**

(52) **U.S. Cl.** **D24/123**

(58) **Field of Classification Search** D24/121-123,
D24/117, 224; D23/276, 295, 302, 274,
D23/309, 200; 4/450-460, 144.1-144.4,
4/DIG. 5; 600/573, 574; 604/329, 317-325,
604/334; D27/127; 242/588.6; D32/53
See application file for complete search history.

(56) **References Cited**

U.S. PATENT DOCUMENTS

D287,404 S *	12/1986	Johansson et al.	D24/121
4,915,216 A	4/1990	Magers	
4,936,448 A	6/1990	Holloway	
D397,295 S *	8/1998	Shelton-Ferrell	D24/224
D421,129 S *	2/2000	Haynes	D24/224

433,130 A	10/2000	Cude et al.	
D433,130 S *	10/2000	Cude et al.	D24/121
6,691,946 B2 *	2/2004	Dannecker et al.	242/588.6
D490,707 S *	6/2004	Mataya	D24/224
D505,225 S *	5/2005	Pavic	D27/125
D544,669 S *	6/2007	Casteel et al.	D32/53
D568,989 S *	5/2008	Kammer et al.	D24/123
D569,970 S *	5/2008	Kammer et al.	D24/123
D578,654 S *	10/2008	Chianea	D24/224
D597,203 S *	7/2009	Tauer	D24/121
D605,754 S *	12/2009	Nelson et al.	D24/121

* cited by examiner

Primary Examiner — David Muller

(74) *Attorney, Agent, or Firm* — David S. Noskowitz

(57) **CLAIM**

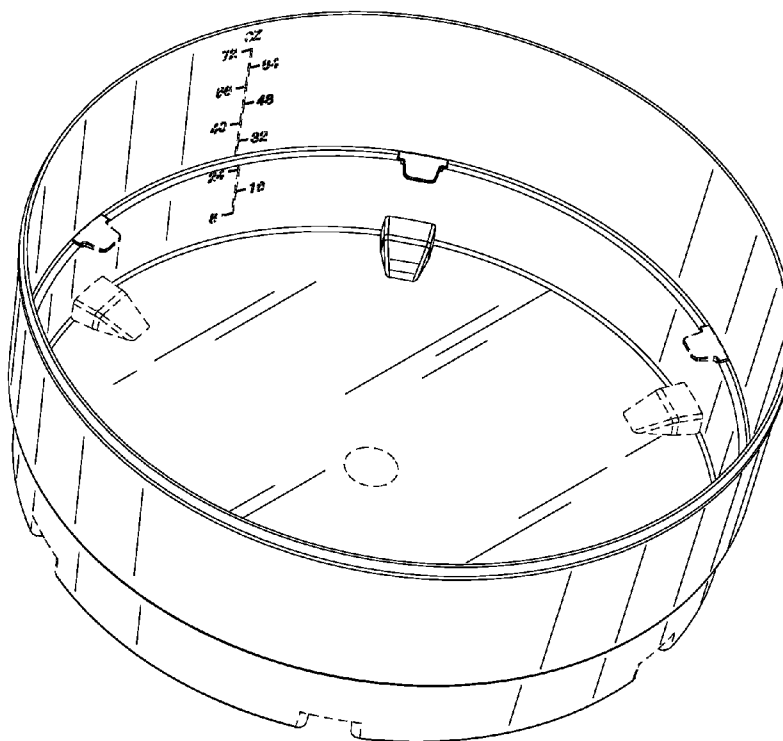
The ornamental design for a surgical bowl, as shown and described.

DESCRIPTION

FIG. 1 is a first perspective view of a surgical bowl.
FIG. 2 is a second perspective view thereof.
FIG. 3 is a top view thereof.
FIG. 4 is a bottom view thereof.
FIG. 5 is a first side view thereof; and,
FIG. 6 is a second side view thereof.

The broken lines shown in the drawings are included for the purpose of illustrating environmental elements only and form no part of the claimed design.

1 Claim, 5 Drawing Sheets



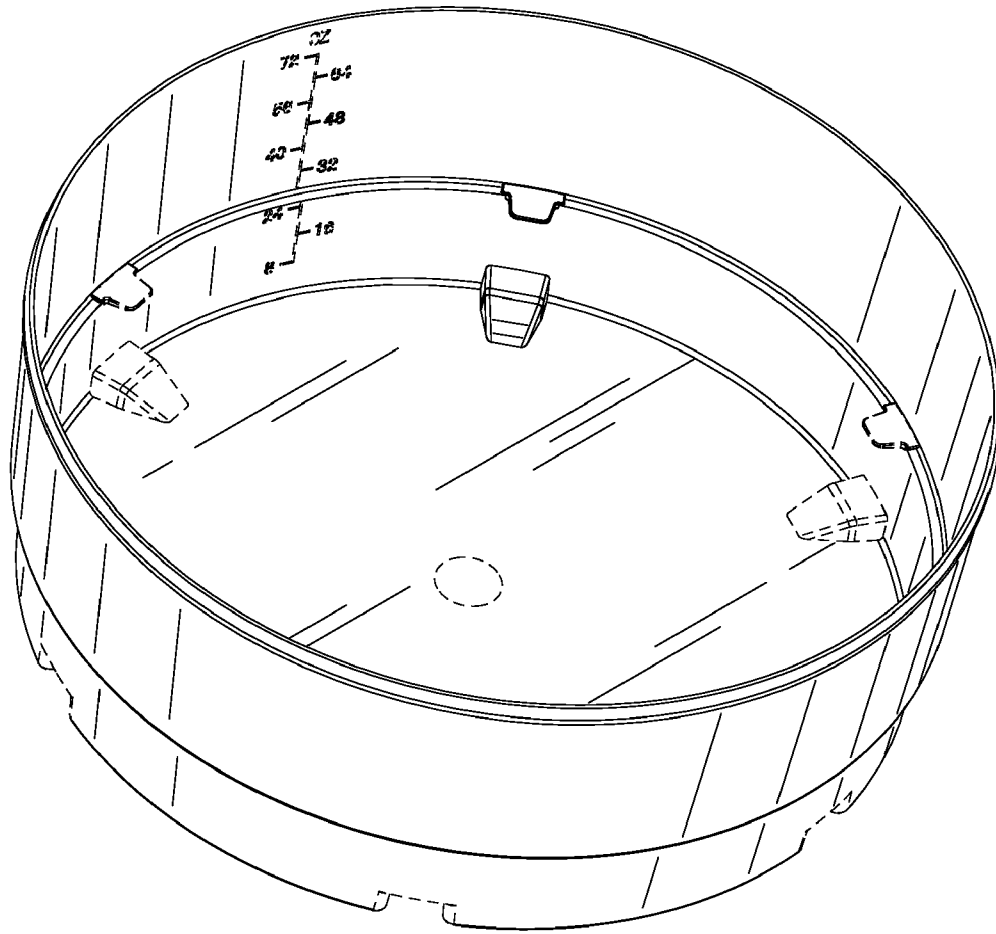


FIG. 1

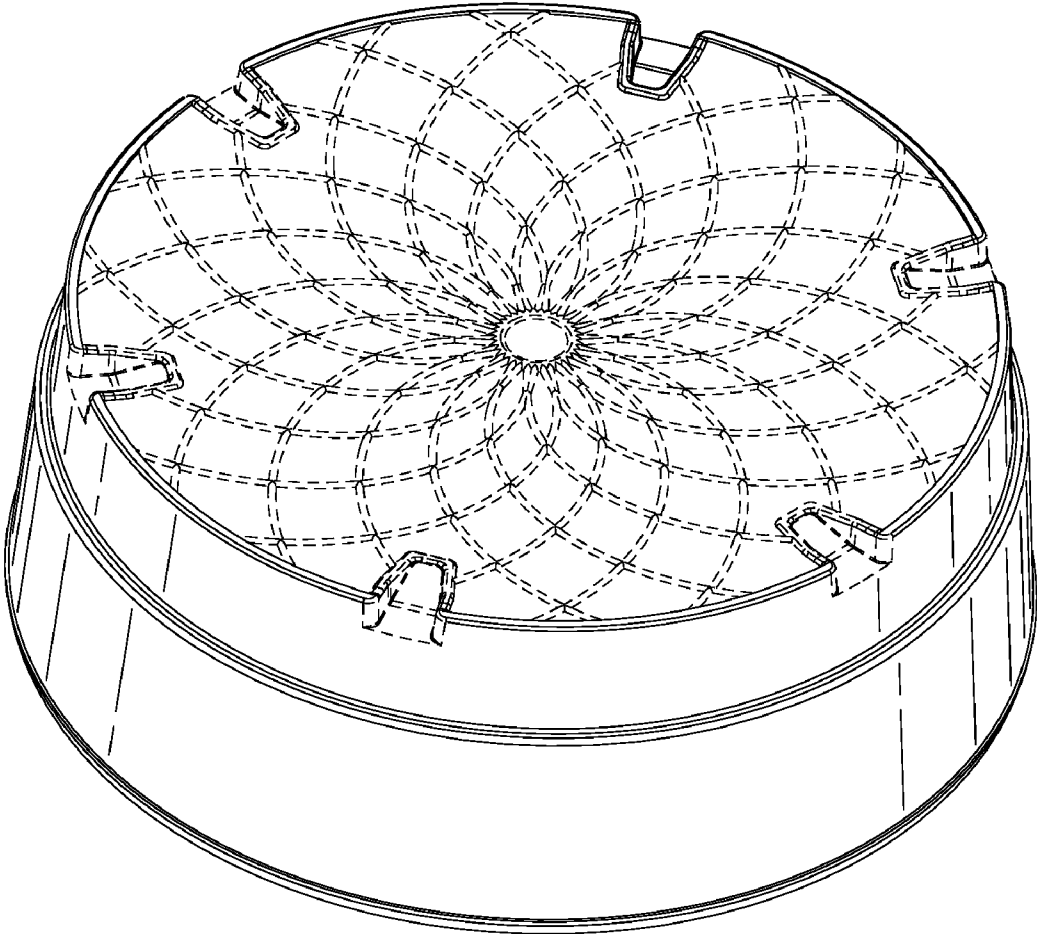


FIG. 2

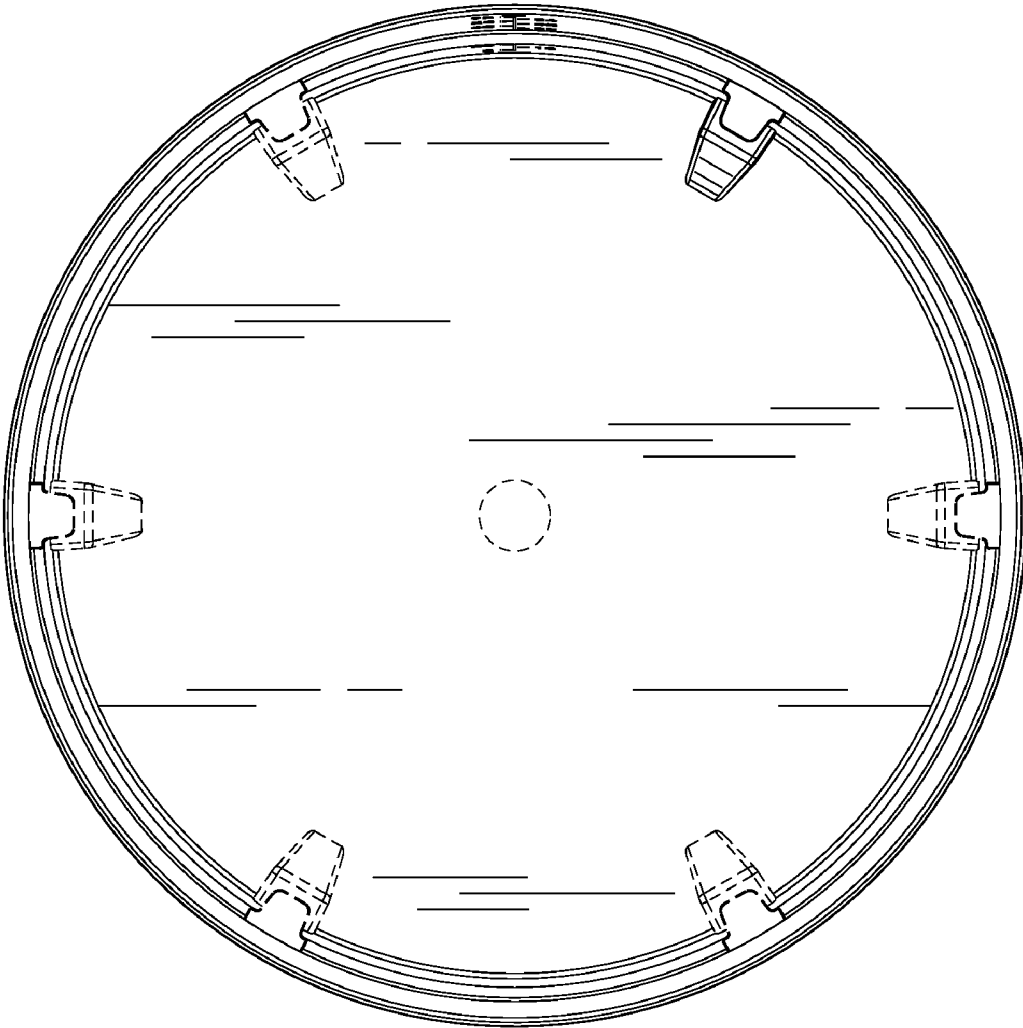


FIG. 3

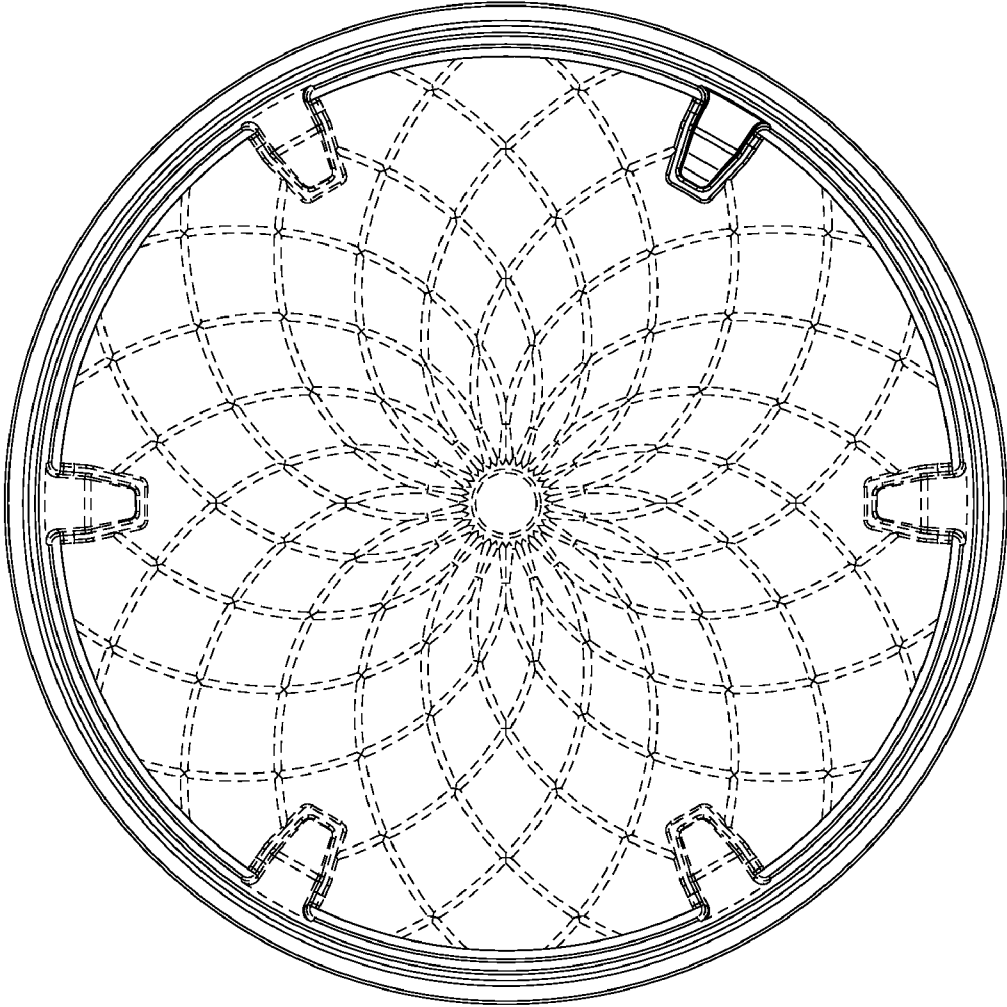


FIG. 4

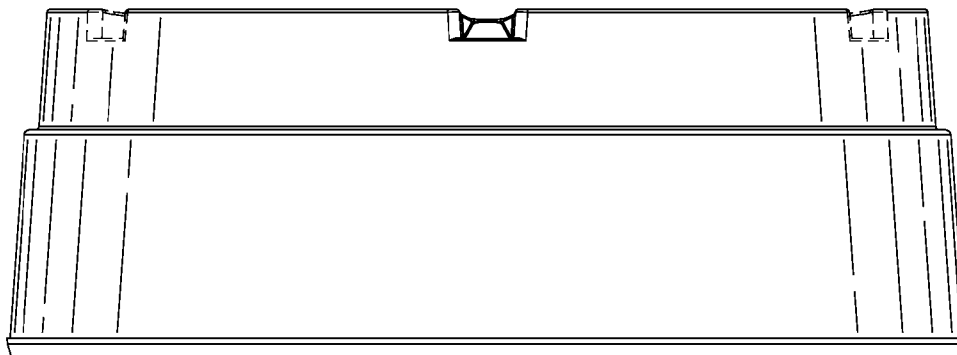


FIG. 5

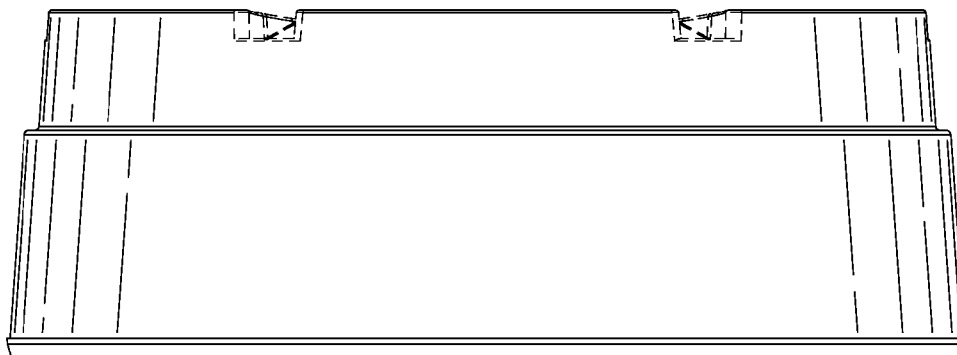


FIG. 6