



US00D358097S

# United States Patent [19] Leibowitz

[11] Patent Number: **Des. 358,097**

[45] Date of Patent: **\*\* May 9, 1995**

[54] CONTAINER

[76] Inventor: **Alissa Leibowitz**, 750-92 Lido Blvd., Lido Beach, N.Y. 11561

[\*\*] Term: **14 Years**

[21] Appl. No.: **22,931**

[22] Filed: **May 16, 1994**

[52] U.S. Cl. .... **D9/527**

[58] Field of Search ..... **D9/527, 528, 526, 535; 215/100 A; 220/771, 769**

D. 305,504	1/1990	Fischer et al. ....	D9/527 X
595,414	12/1897	Roach .	
3,443,710	5/1969	Hills .	
3,765,574	10/1973	Urquiza .	
4,923,098	5/1990	Schoonover et al. .	

*Primary Examiner*—Lucy J. Lieberman  
*Attorney, Agent, or Firm*—Davis Hoxie Faithfull & Hapgood

### [57] CLAIM

The ornamental design for a container, as shown and described.

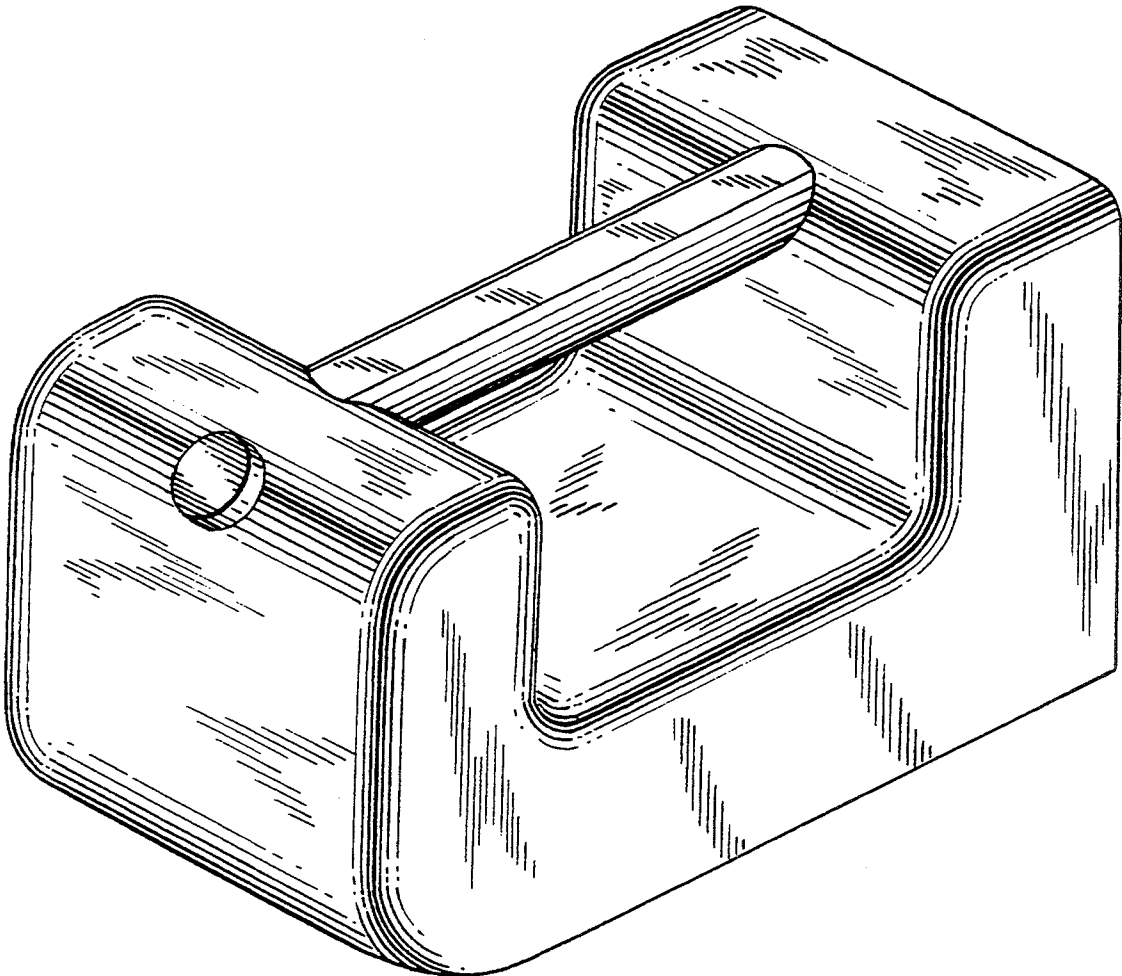
### References Cited

#### U.S. PATENT DOCUMENTS

D. 92,518	4/1934	Briner .	
D. 205,166	6/1966	Price .....	D9/527
D. 205,479	8/1966	Certo .....	D9/527
D. 216,248	12/1969	Hills .	
D. 221,517	8/1971	Luedtke .	
D. 224,200	7/1972	Kretz .	
D. 227,345	6/1973	Bell et al. ....	D9/527
D. 273,276	4/1984	Klim .	
D. 299,153	12/1988	Hall .....	D9/528 X

### DESCRIPTION

FIG. 1 is a top, front and right side perspective view of a container showing my new design;  
FIG. 2 is a top, front and left side perspective view of the container shown in a different position;  
FIG. 3 is a top view thereof;  
FIG. 4 is a right side elevation thereof;  
FIG. 5 is a front view thereof;  
FIG. 6 is a rear view thereof; and,  
FIG. 7 is a bottom view thereof.



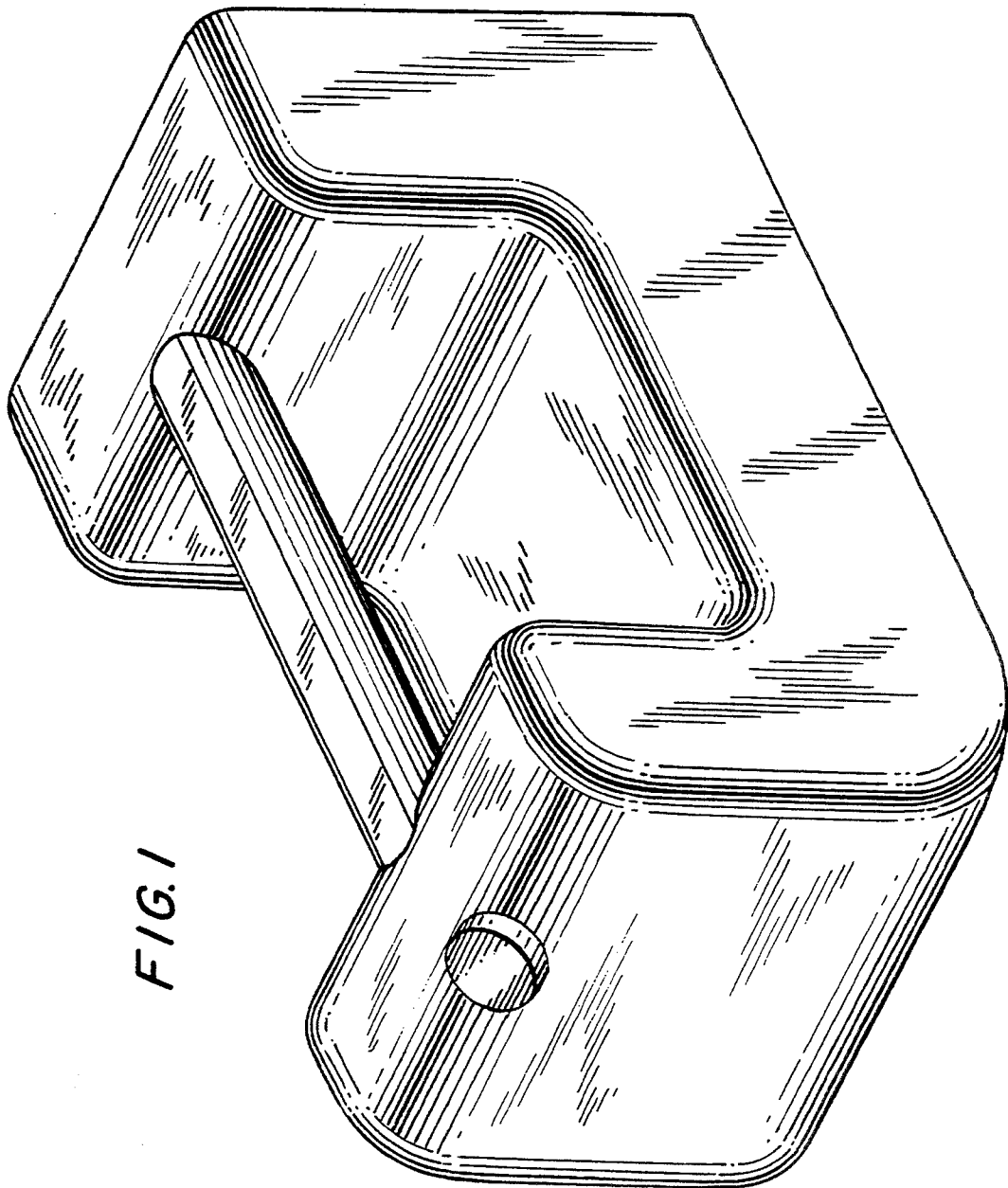


FIG. 1

*FIG. 2*

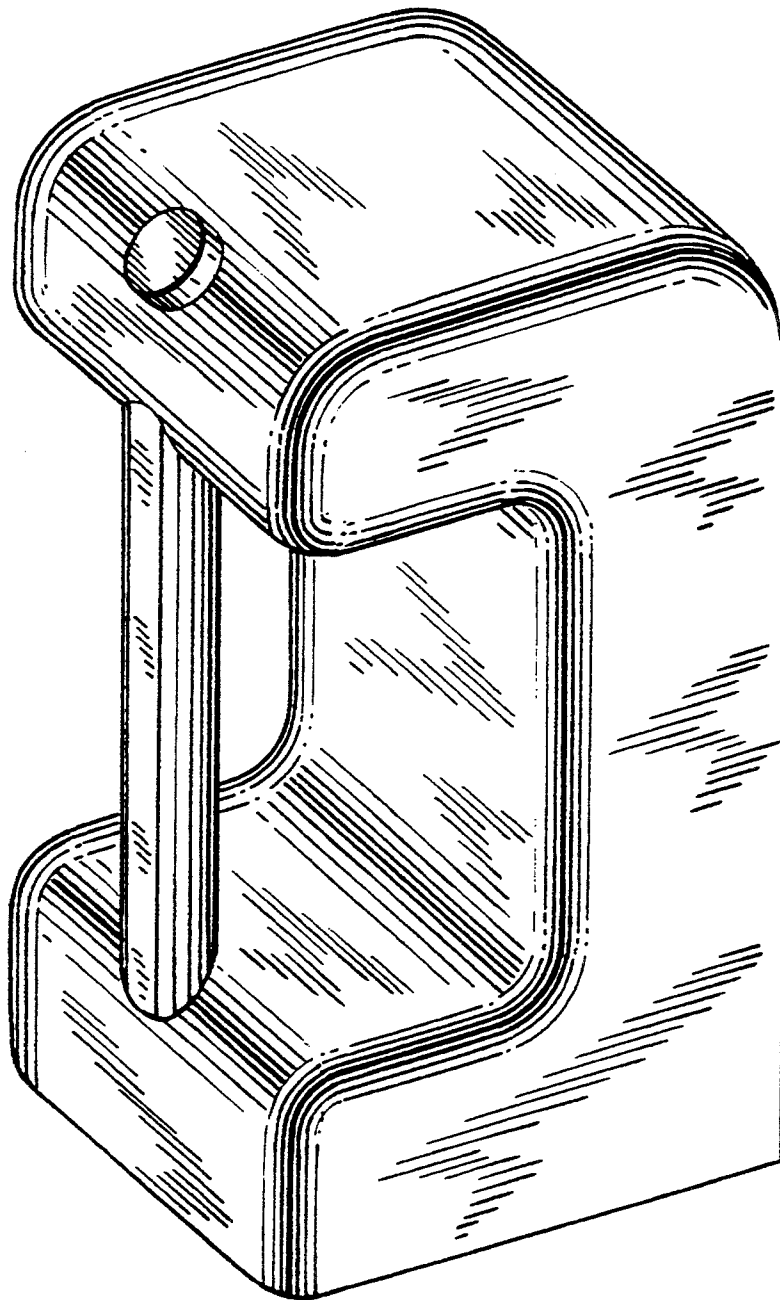


FIG. 3

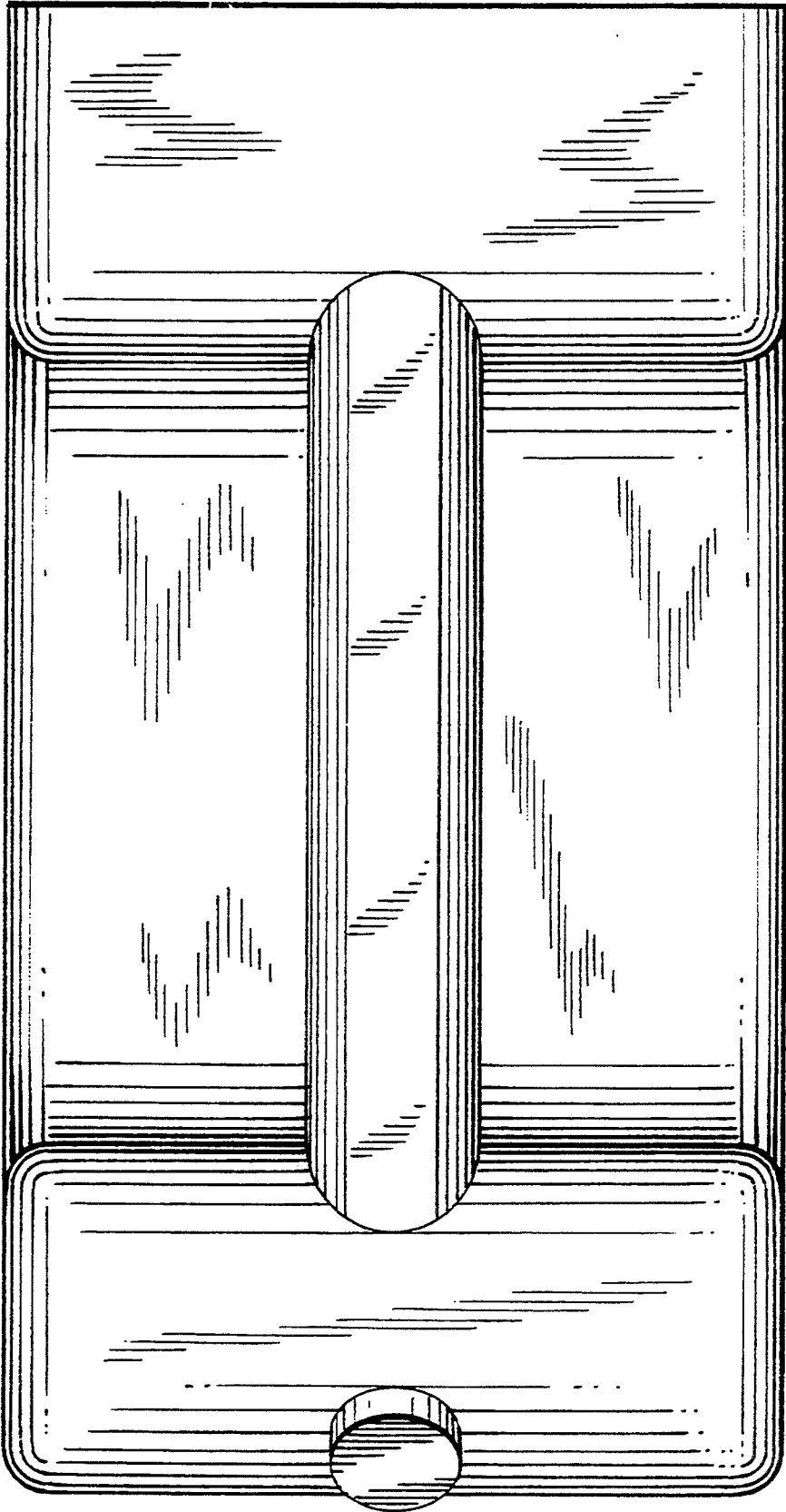


FIG. 4

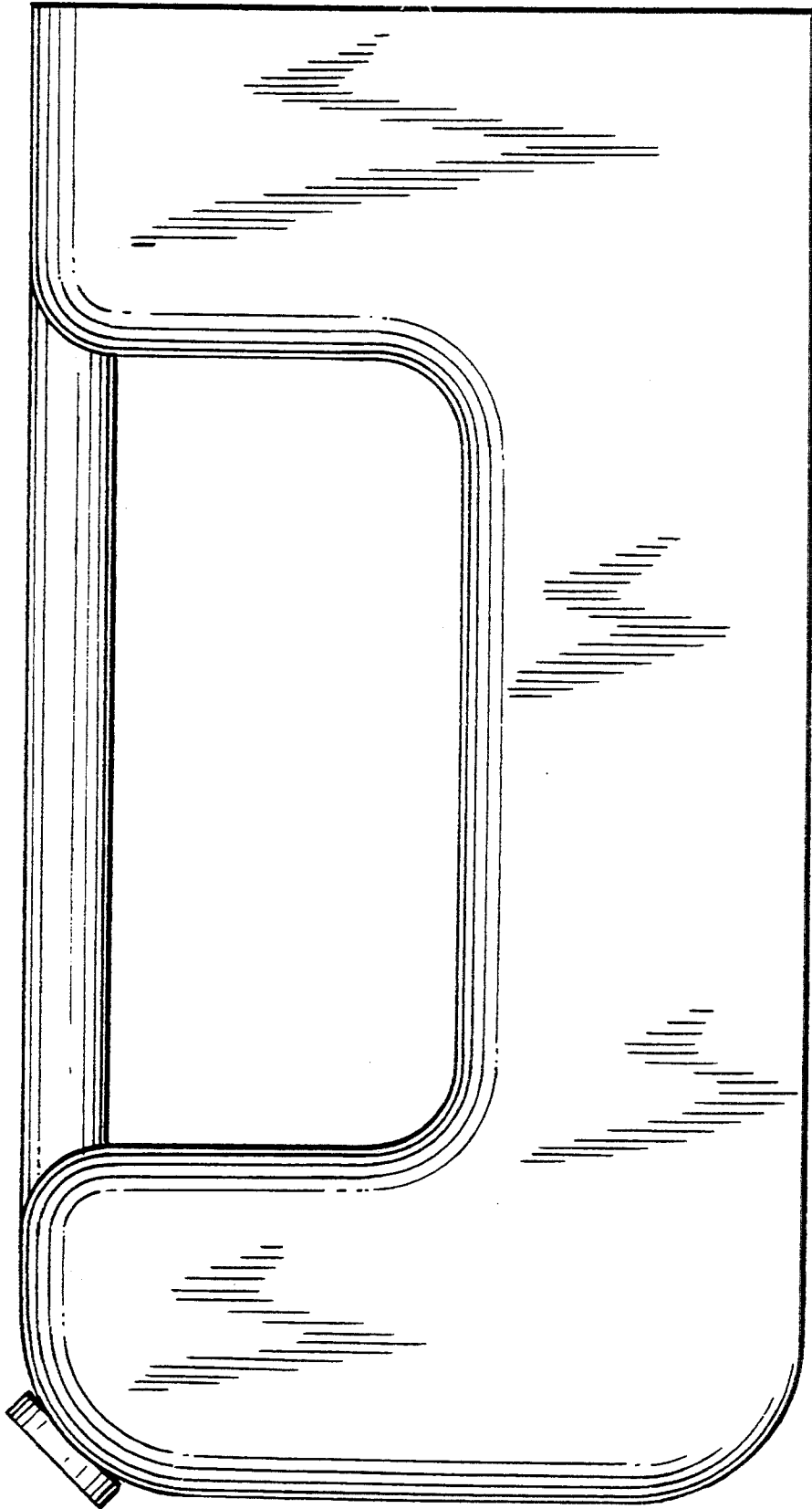


FIG. 6

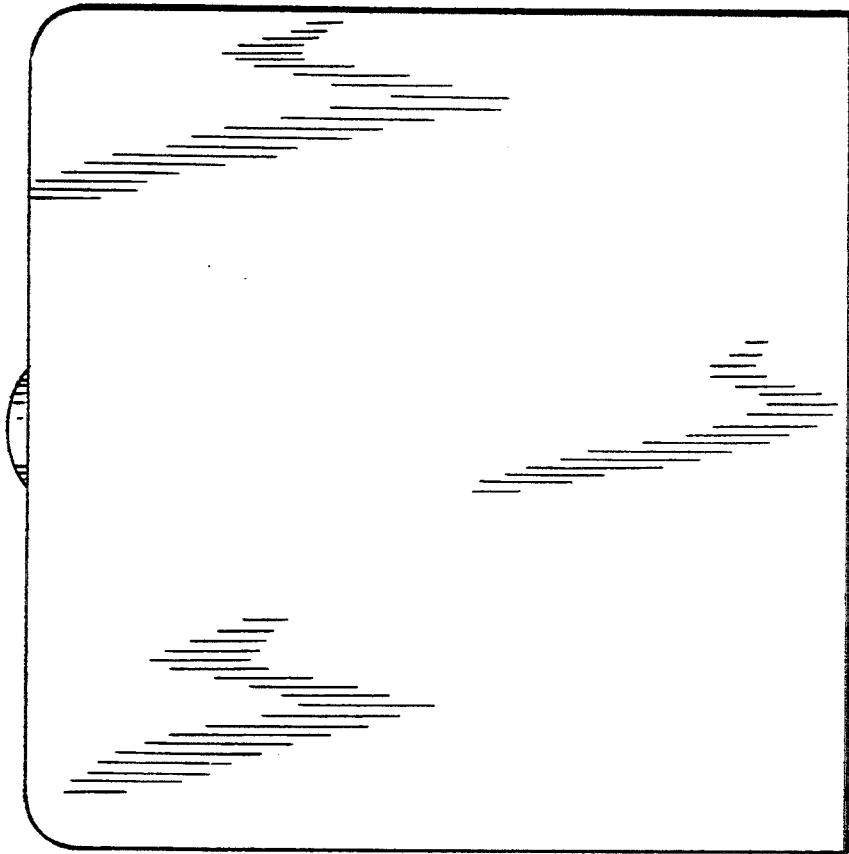


FIG. 5

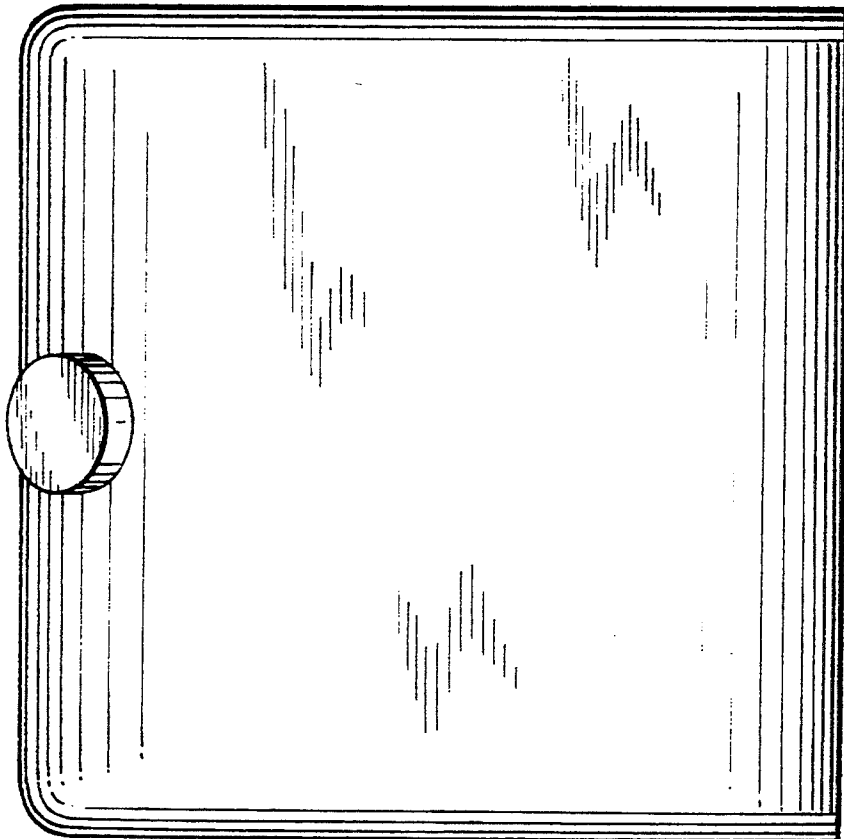


FIG. 7

