



US00D401970S

**United States Patent** [19]  
**Langerak**

[11] **Patent Number: Des. 401,970**  
[45] **Date of Patent: \*\*Dec. 1, 1998**

[54] **GIRDING TOOL**

D. 333,601 3/1993 Wingert ..... D8/49  
D. 369,832 5/1996 Poole ..... D19/69  
898,609 9/1908 Simpson ..... 156/534  
2,487,351 11/1949 Marsh ..... 156/526

[75] Inventor: **Alfred Langerak**, Mijsherenland,  
Netherlands

[73] Assignee: **Household Innovations International  
B.V.**, Rotterdam, Netherlands

*Primary Examiner*—Martie K. Holtje  
*Attorney, Agent, or Firm*—Marshall, O'Toole, Gerstein,  
Murray & Borun

[\*\*] Term: **14 Years**

[57] **CLAIM**

[21] Appl. No.: **54,232**

The ornamental design for a girding tool, as shown and described.

[22] Filed: **May 10, 1996**

[30] **Foreign Application Priority Data**

**DESCRIPTION**

Nov. 13, 1995 [XH] Hague Agreement ..... DM/034683

FIG. 1 is a perspective view of the girding tool showing my new design;

[51] **LOC (6) Cl.** ..... **19-02**

FIG. 2 is a top view thereof;

[52] **U.S. Cl.** ..... **D19/69; D19/65**

FIG. 3 is a front view thereof;

[58] **Field of Search** ..... D19/65, 67, 68,

FIG. 4 is a rear view thereof;

D19/69, 95, 99, 100; 225/6, 7, 19, 24, 25,

FIG. 5 is a bottom view thereof;

34, 45, 56, 65, 77, 89; 156/327, 510, 523,

FIG. 6 is a right side view thereof; and,

527, 554; 24/916, 405, 398

FIG. 7 is a left side view thereof.

[56] **References Cited**

**U.S. PATENT DOCUMENTS**

D. 211,615 7/1968 Stephens ..... D19/68

**1 Claim, 2 Drawing Sheets**

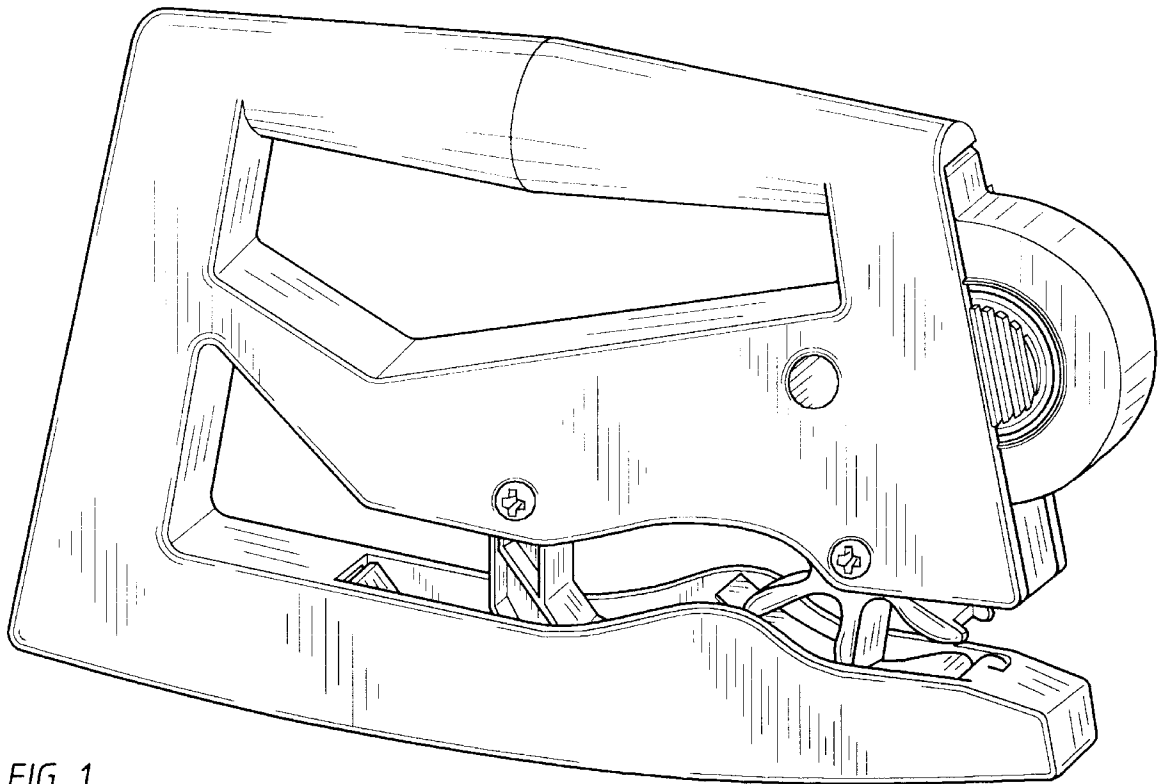


FIG. 1.

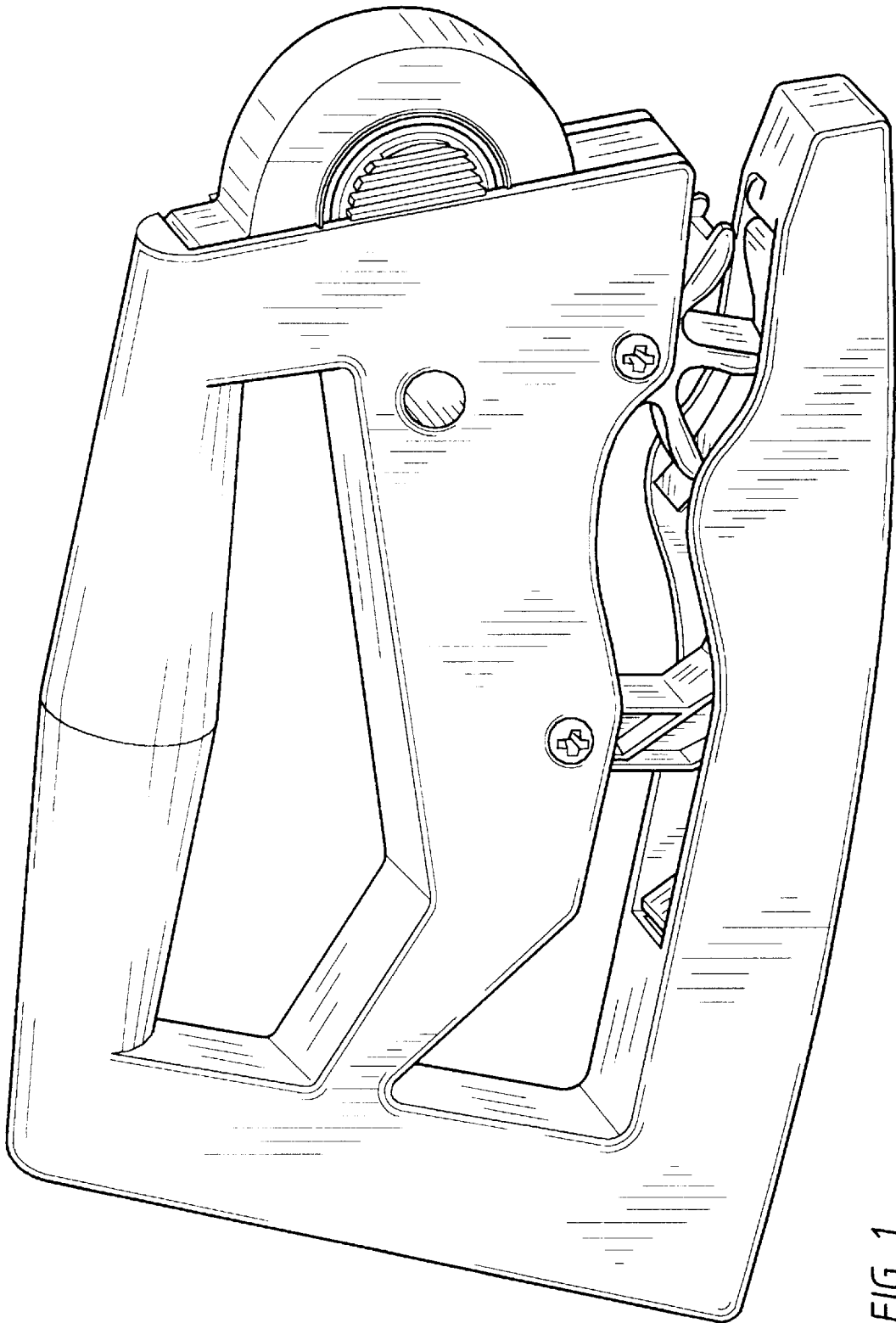


FIG. 1.

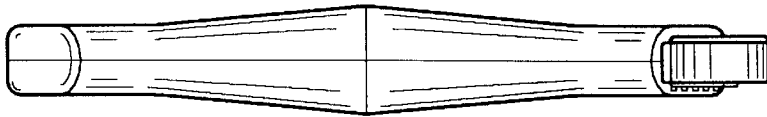


FIG. 2.

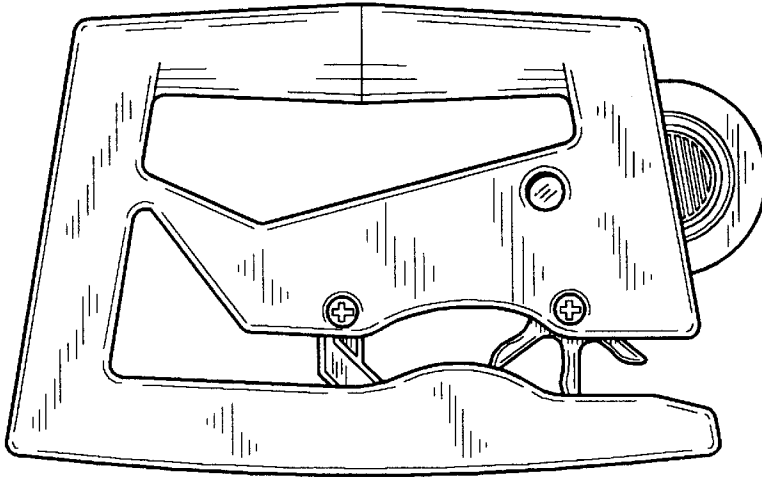


FIG. 3.

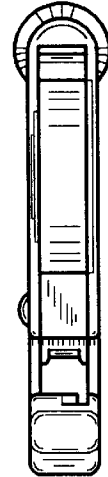


FIG. 6.

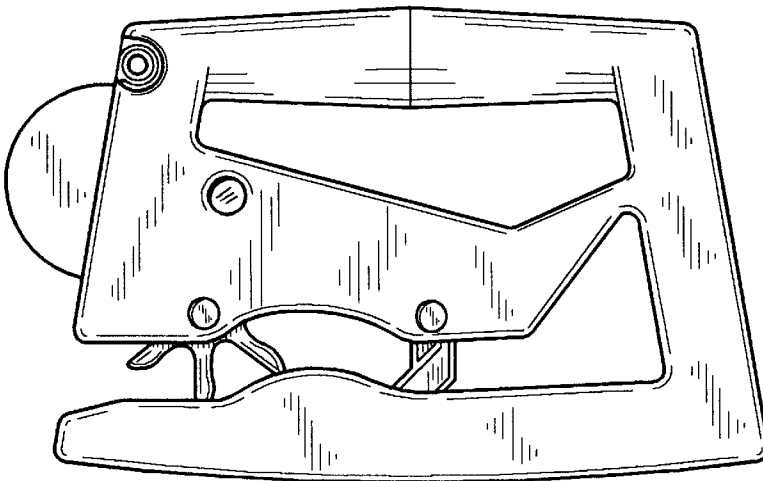


FIG. 4.

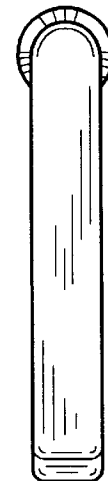


FIG. 7.

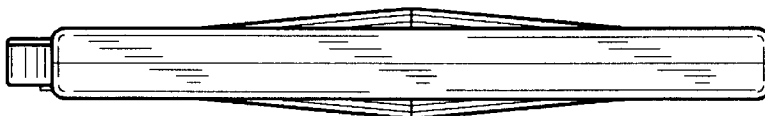


FIG. 5.