

(19) World Intellectual Property Organization  
International Bureau



(43) International Publication Date  
4 January 2007 (04.01.2007)

PCT

(10) International Publication Number  
**WO 2007/002189 A3**

- (51) International Patent Classification:  
A61B 5/05 (2006.01)
- (21) International Application Number:  
PCT/US2006/024132
- (22) International Filing Date: 20 June 2006 (20.06.2006)
- (25) Filing Language: English
- (26) Publication Language: English
- (30) Priority Data:
 

11/157,746	21 June 2005 (21.06.2005)	US
11/157,365	21 June 2005 (21.06.2005)	US
11/158,227	21 June 2005 (21.06.2005)	US
11/334,876	18 January 2006 (18.01.2006)	US
11/360,252	22 February 2006 (22.02.2006)	US
11/360,819	22 February 2006 (22.02.2006)	US
- (71) Applicant (for all designated States except US): **DEX-COM, INC.**, [US/US]; 5555 Oberlin Drive, San Diego, CA 92121 (US).
- (72) Inventors; and
- (75) Inventors/Applicants (for US only): **DOBBLES, J.**,

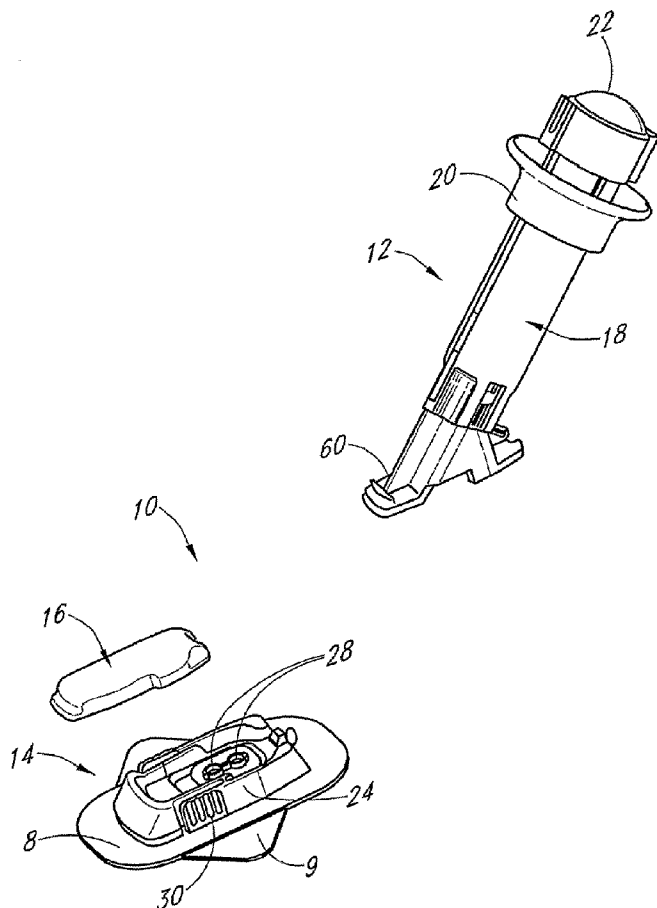
**Michael** [US/US]; 13693 Freeport Road, San Diego, CA 92129 (US). **BRISTER, Mark** [US/US]; 1055 Valley Side Lane, Encinitas, CA 92024 (US). **BRAUKER, James, H.** [US/US]; 10831 Riesling Drive, San Diego, CA 92131 (US). **KAMATH, Apurv, Ullas** [US/US]; 143 S. Rios Avenue, Solana Beach, CA 92075 (US). **KLINE, Daniel, S.** [US/US]; 355 La Mesa Avenue, Encinitas, CA 92024 (US). **MASTERSON, Steve** [US/US]; 229 Hillcrest Drive, Encinitas, CA 92024 (US). **MENSINGER, Michael, Robert** [US/US]; 12575 Ruelle Alliante, No. 162, San Diego, CA 92130 (US). **SAINT, Sean** [US/US]; 13014 Texana Street, San Diego, CA 92129 (US). **SIMPSON, Peter, C.** [US/US]; 1236 Stratford Court, Del Mar, CA 92104 (US).

(74) Agent: **MALLON, Joseph, J.**; Knobbe Martens Olson & Bear LLP, 2040 Main Street, 14th Floor, Irvine, CA 92614 (US).

(81) Designated States (unless otherwise indicated, for every kind of national protection available): AE, AG, AL, AM, AT, AU, AZ, BA, BB, BG, BR, BW, BY, BZ, CA, CH, CN,

[Continued on next page]

(54) Title: ANALYTE SENSOR



(57) Abstract: The present invention relates generally to systems and methods for measuring an analyte in a host. More particularly, the present invention relates to systems and methods for transcutaneous measurement of glucose in a host. The system can include an applicator 12, a mounting unit 14, and an electronics unit 16.

WO 2007/002189 A3



CO, CR, CU, CZ, DE, DK, DM, DZ, EC, EE, EG, ES, FI, GB, GD, GE, GH, GM, HN, HR, HU, ID, IL, IN, IS, JP, KE, KG, KM, KN, KP, KR, KZ, LA, LC, LK, LR, LS, LT, LU, LV, LY, MA, MD, MG, MK, MN, MW, MX, MZ, NA, NG, NI, NO, NZ, OM, PG, PH, PL, PT, RO, RS, RU, SC, SD, SE, SG, SK, SL, SM, SY, TJ, TM, TN, TR, TT, TZ, UA, UG, US, UZ, VC, VN, ZA, ZM, ZW.

**(84) Designated States** (*unless otherwise indicated, for every kind of regional protection available*): ARIPO (BW, GH, GM, KE, LS, MW, MZ, NA, SD, SL, SZ, TZ, UG, ZM, ZW), Eurasian (AM, AZ, BY, KG, KZ, MD, RU, TJ, TM), European (AT, BE, BG, CH, CY, CZ, DE, DK, EE, ES, FI, FR, GB, GR, HU, IE, IS, IT, LT, LU, LV, MC, NL, PL, PT,

RO, SE, SI, SK, TR), OAPI (BF, BJ, CF, CG, CI, CM, GA, GN, GQ, GW, ML, MR, NE, SN, TD, TG).

**Published:**

- *with international search report*
- *before the expiration of the time limit for amending the claims and to be republished in the event of receipt of amendments*

**(88) Date of publication of the international search report:**  
7 September 2007

*For two-letter codes and other abbreviations, refer to the "Guidance Notes on Codes and Abbreviations" appearing at the beginning of each regular issue of the PCT Gazette.*

**INTERNATIONAL SEARCH REPORT**

International application No.

PCT/US06/24132

**A. CLASSIFICATION OF SUBJECT MATTER**  
 IPC: **A61B 5/05**( 2006.01)

USPC: 600/345,347.365  
 According to International Patent Classification (IPC) or to both national classification and IPC

**B. FIELDS SEARCHED**

Minimum documentation searched (classification system followed by classification symbols)  
 U.S. : 600/345, 347. 365:

Documentation searched other than minimum documentation to the extent that such documents are included in the fields searched  
 none

Electronic data base consulted during the international search (name of data base and, where practicable, search terms used)  
 none

**C. DOCUMENTS CONSIDERED TO BE RELEVANT**

Category *	Citation of document, with indication, where appropriate, of the relevant passages	Relevant to claim No.
X --- Y	US 2005/0121322 A (Say et al) 09 June 2005 (09.06.2005). see entire document.	1-7, 9, 13, 15-19, 21-23, 25-28, 54-76 ----- 14-19, 22, 23.
X --- A	US 5,791,344 A (Schulman et al), 11 August 1998 (11.08.1998), see entire document.	39-41, 44-47, 48, 50-51 ----- 1-38, 42, 43, 49, 52-76
X --- Y	US 2003/0211625 A1 (Cohan et al) 13 November 2003 (13.11.2003) see entire document.	7, 10, 29, 31-36, 38 ----- 14-19, 22, 23.

Further documents are listed in the continuation of Box C.  See patent family annex.

* Special categories of cited documents:	
"A" document defining the general state of the art which is not considered to be of particular relevance	"T" later document published after the international filing date or priority date and not in conflict with the application but cited to understand the principle or theory underlying the invention
"E" earlier application or patent published on or after the international filing date	"X" document of particular relevance; the claimed invention cannot be considered novel or cannot be considered to involve an inventive step when the document is taken alone
"L" document which may throw doubts on priority claim(s) or which is cited to establish the publication date of another citation or other special reason (as specified)	"Y" document of particular relevance; the claimed invention cannot be considered to involve an inventive step when the document is combined with one or more other such documents, such combination being obvious to a person skilled in the art
"O" document referring to an oral disclosure, use, exhibition or other means	
"P" document published prior to the international filing date but later than the priority date claimed	"&" document member of the same patent family

Date of the actual completion of the international search 28 May 2007 (28.05.2007)	Date of mailing of the international search report <b>20 JUL 2007</b>
---	--

Name and mailing address of the ISA/US Mail Stop PCT, Attn. ISA/US Commissioner for Patents P.O. Box 1450 Alexandria, Virginia 22313-1450 Facsimile No. (571) 273-3201	Authorized officer Robert L. Nasser <i>Sharon T. Greene for</i> Telephone No. 571-272-3700
---	--