



US00D918087S

(12) **United States Design Patent**  
**He et al.**

(10) **Patent No.:** **US D918,087 S**

(45) **Date of Patent:** **\*\* May 4, 2021**

(54) **AERIAL VEHICLE**

(71) Applicant: **SZ DJI TECHNOLOGY CO., LTD.**,  
Shenzhen (CN)

(72) Inventors: **Baichuan He**, Shenzhen (CN); **Yiwei Chen**, Shenzhen (CN); **Shaojie Chen**, Shenzhen (CN)

(73) Assignee: **SZ DJI TECHNOLOGY CO., LTD.**,  
Shenzhen (CN)

(\*\*) Term: **15 Years**

(21) Appl. No.: **29/697,979**

(22) Filed: **Jul. 12, 2019**

(51) **LOC (13) Cl.** ..... **12-01**

(52) **U.S. Cl.**  
USPC ..... **D12/16.1**; D21/436; D12/319

(58) **Field of Classification Search**  
USPC ..... D12/1-4, 16.1, 319-345; D21/301, 436,  
D21/441, 442, 443, 444, 447, 448, 449,  
D21/450, 451, 452, 453, 454, 455  
(Continued)

(56) **References Cited**

**U.S. PATENT DOCUMENTS**

D628,658 S \* 12/2010 Wurm ..... D21/442  
D710,454 S \* 8/2014 Barajas ..... D21/442  
(Continued)

**FOREIGN PATENT DOCUMENTS**

JP 1565120 S 12/2016  
JP 1587762 S 10/2017

**OTHER PUBLICATIONS**

DJI mini 2. published by B& H. earliest review dated Nov. 9, 2020.  
found online [Dec. 20, 2020] [https://www.bhphotovideo.com/c/product/1598331-REG/dji\\_cp\\_ma\\_00000312\\_01\\_mini\\_2.html/reviews?ap=y&ap=y&smp=y&smp=y&Isft=B1%3A514&gclid=](https://www.bhphotovideo.com/c/product/1598331-REG/dji_cp_ma_00000312_01_mini_2.html/reviews?ap=y&ap=y&smp=y&smp=y&Isft=B1%3A514&gclid=)

EAlalQobChMikZSk3pfd7Q1VFW-  
GCh16dQAXEAKYlyABEgLLnfD\_BwE.\*

*Primary Examiner* — Marissa J Cash  
(74) *Attorney, Agent, or Firm* — Anova Law Group,  
PLLC

(57) **CLAIM**

The ornamental design for an aerial vehicle, as shown and described.

**DESCRIPTION**

FIG. 1 is a front perspective view of an aerial vehicle in accordance with the present disclosure;  
FIG. 2 is a rear perspective view of the aerial vehicle shown in FIG. 1;  
FIG. 3 is a view of the aerial vehicle shown in FIG. 1 from the front;  
FIG. 4 is a view of the aerial vehicle shown in FIG. 1 from the rear;  
FIG. 5 is a view of the aerial vehicle shown in FIG. 1 from the left;  
FIG. 6 is a view of the aerial vehicle shown in FIG. 1 from the right;  
FIG. 7 is a view of the aerial vehicle shown in FIG. 1 from the top;  
FIG. 8 is a view of the aerial vehicle shown in FIG. 1 from the bottom;  
FIG. 9 is a front perspective view of the aerial vehicle in an alternative configuration;  
FIG. 10 is a rear perspective view of the aerial vehicle in the alternative configuration;  
FIG. 11 is a view of the aerial vehicle in the alternative configuration from the front;  
FIG. 12 is a view of the aerial vehicle in the alternative configuration from the rear;  
FIG. 13 is a view of the aerial vehicle in the alternative configuration from the left;  
FIG. 14 is a view of the aerial vehicle in the alternative configuration from the right;  
FIG. 15 is a view of the aerial vehicle in the alternative configuration from the top; and,  
(Continued)

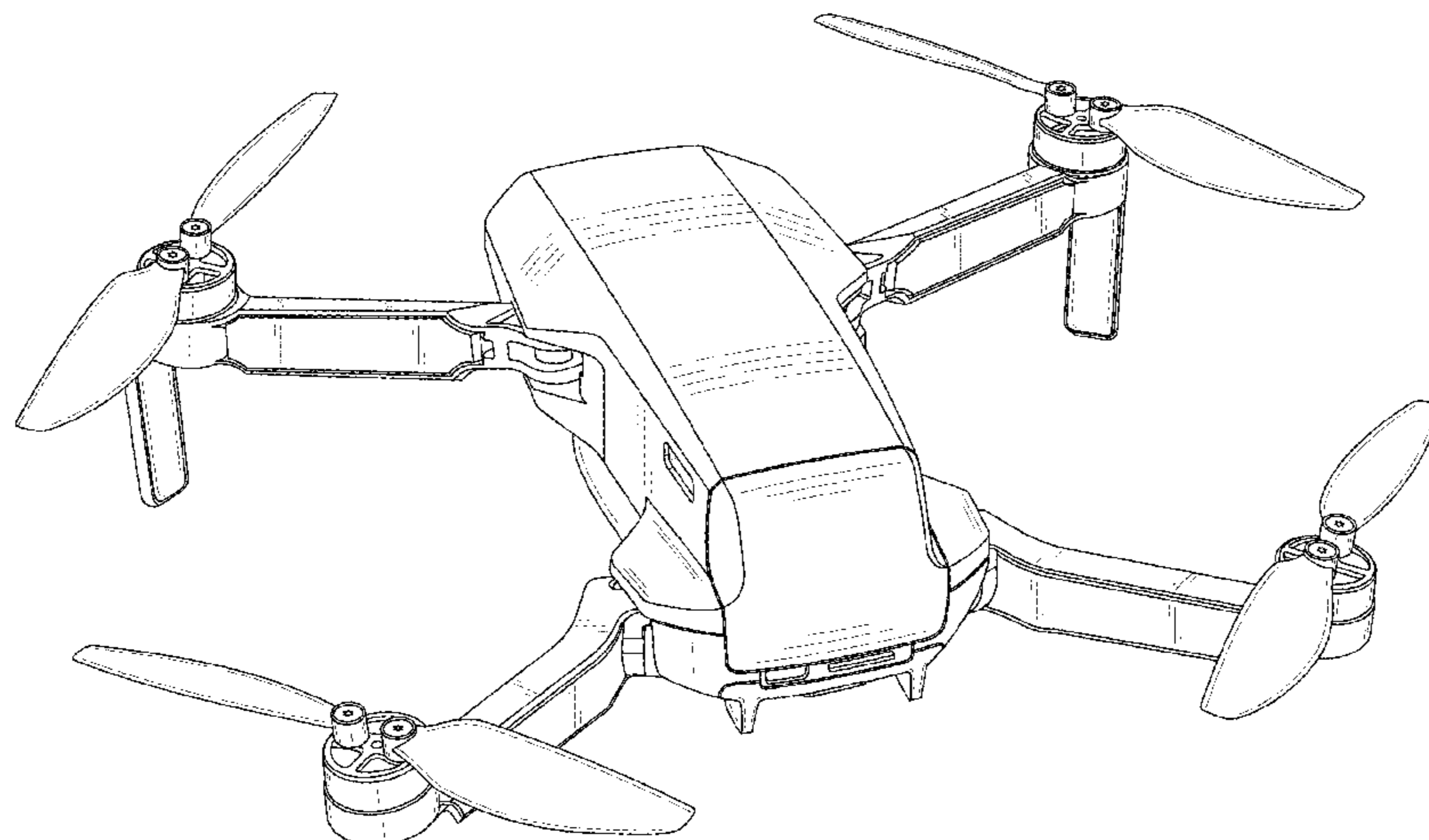


FIG. 16 is a view of the aerial vehicle in the alternative configuration from the bottom.

The broken lines depict portions of the aerial vehicle in which the design is embodied that form no part of the claimed design.

**1 Claim, 14 Drawing Sheets**

(58) **Field of Classification Search**

CPC ..... B64C 39/024; B64C 2201/108; B64C 2201/141; B64C 2201/024

See application file for complete search history.

(56) **References Cited**

U.S. PATENT DOCUMENTS

D768,539 S \* 10/2016 Lee ..... D12/16.1  
 D772,991 S \* 11/2016 Caubel ..... D21/441  
 9,567,076 B2 \* 2/2017 Zhang ..... B29C 43/003

D795,742 S \* 8/2017 Li ..... D12/16.1  
 D813,724 S \* 3/2018 Hu ..... D12/16.1  
 D814,970 S \* 4/2018 Chen ..... D12/16.1  
 D819,749 S \* 6/2018 Caubel ..... D21/449  
 D827,723 S \* 9/2018 Barajas ..... D21/442  
 D843,267 S \* 3/2019 Gao ..... D12/16.1  
 D849,154 S \* 5/2019 Zhao ..... D21/436  
 D852,673 S \* 7/2019 Chen ..... D12/16.1  
 D854,448 S \* 7/2019 Chen ..... D12/16.1  
 D857,105 S \* 8/2019 Zhang ..... D21/441  
 D860,048 S \* 9/2019 Caubel ..... D12/16.1  
 D861,573 S \* 10/2019 He ..... D12/328  
 D866,396 S \* 11/2019 Chen ..... D12/16.1  
 D869,375 S \* 12/2019 Kim ..... D12/328  
 D873,175 S \* 1/2020 Li ..... D12/16.1  
 D874,338 S \* 2/2020 Zhao ..... D12/16.1  
 D874,973 S \* 2/2020 Zhou ..... D12/16.1  
 D874,974 S \* 2/2020 Zhou ..... D12/16.1  
 D881,067 S \* 4/2020 Zhou ..... D12/16.1  
 D882,460 S \* 4/2020 Chen ..... D12/16.1  
 D883,140 S \* 5/2020 Chen ..... D12/16.1  
 D884,554 S \* 5/2020 Chen ..... D12/16.1  
 D887,340 S \* 6/2020 He ..... D12/328

\* cited by examiner

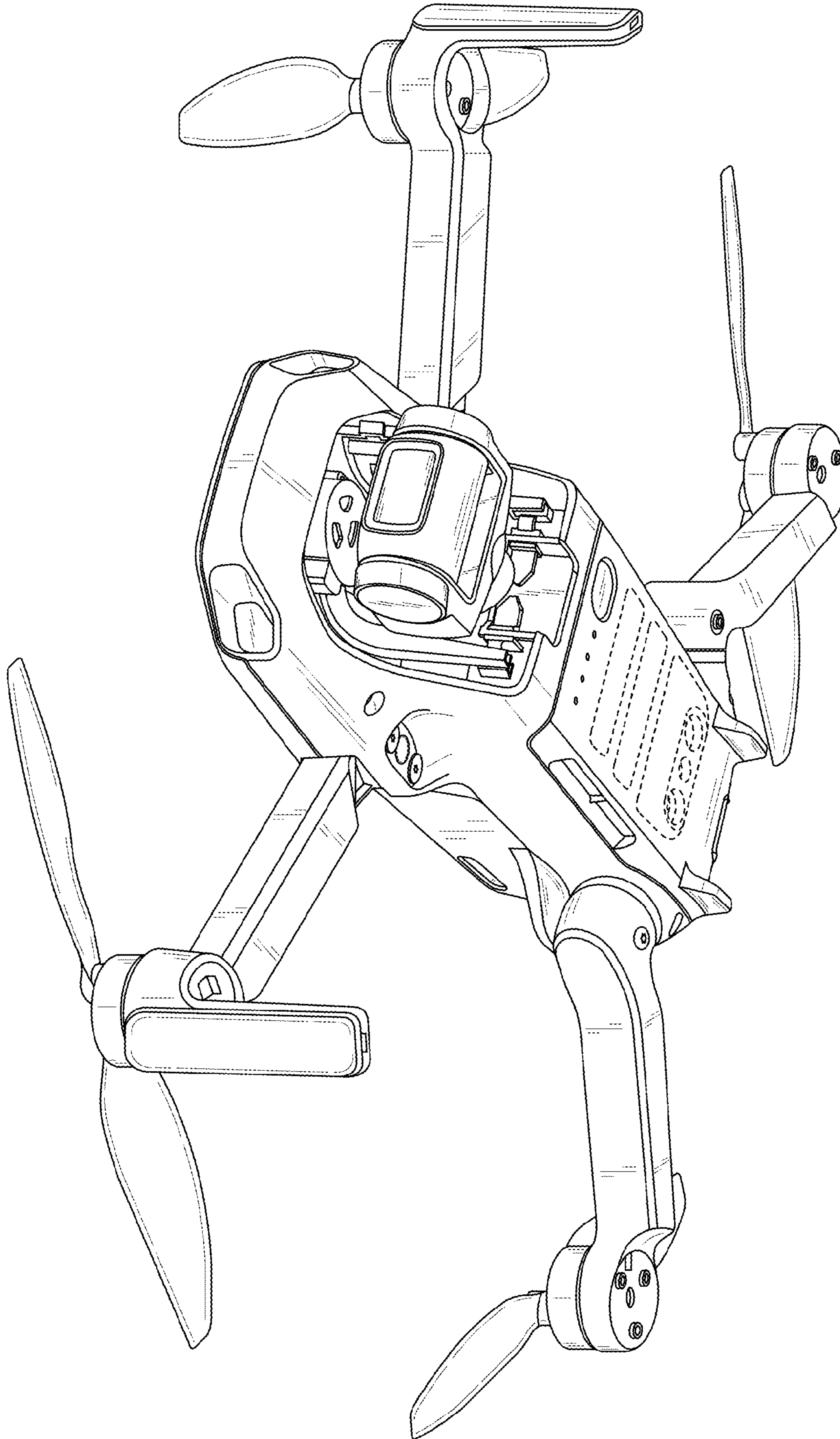


FIG. 1

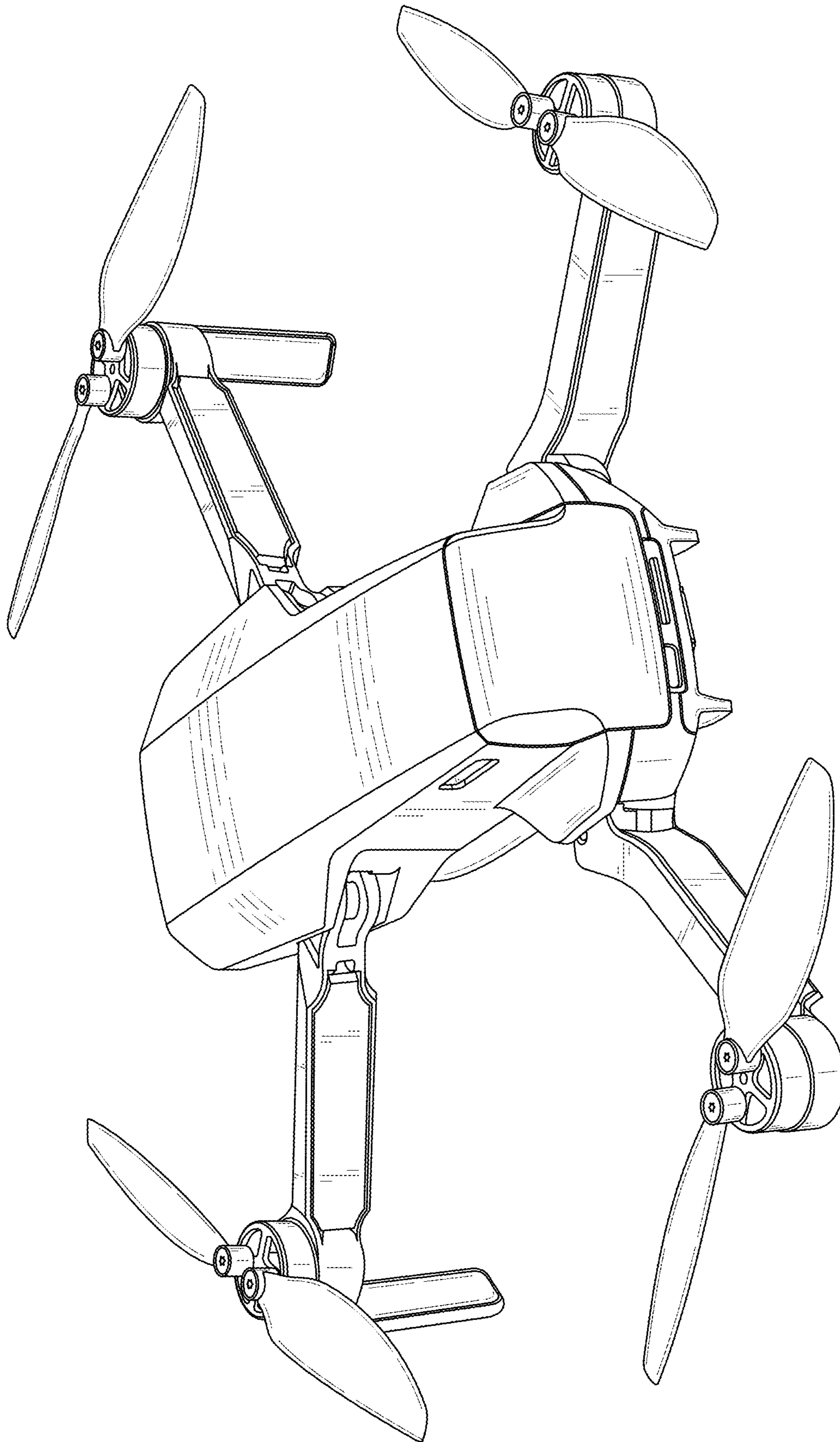


FIG. 2

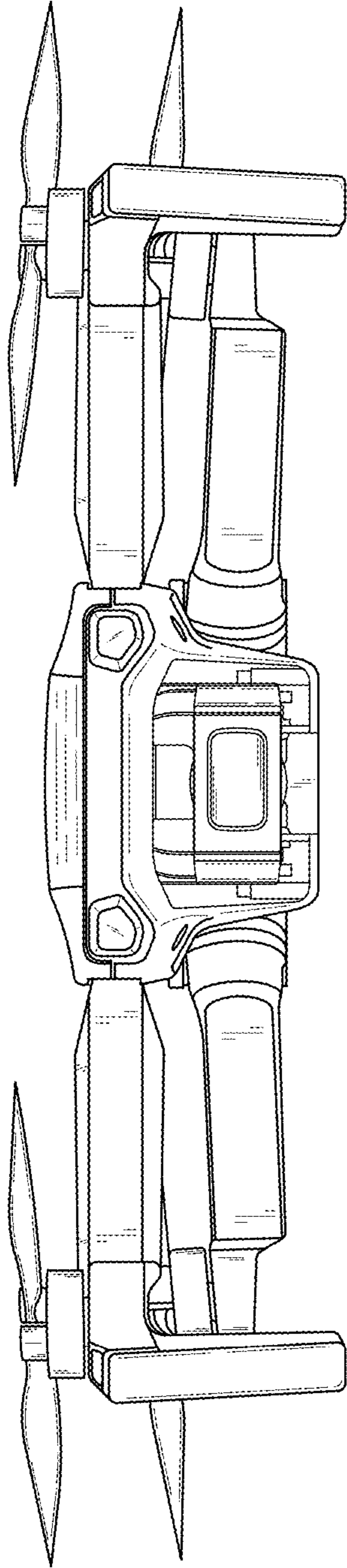


FIG. 3

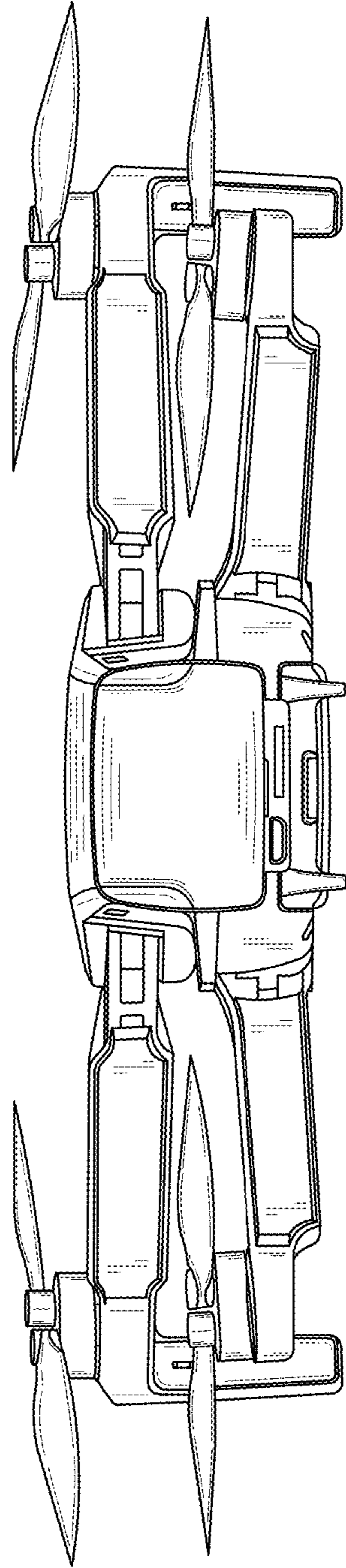


FIG. 4

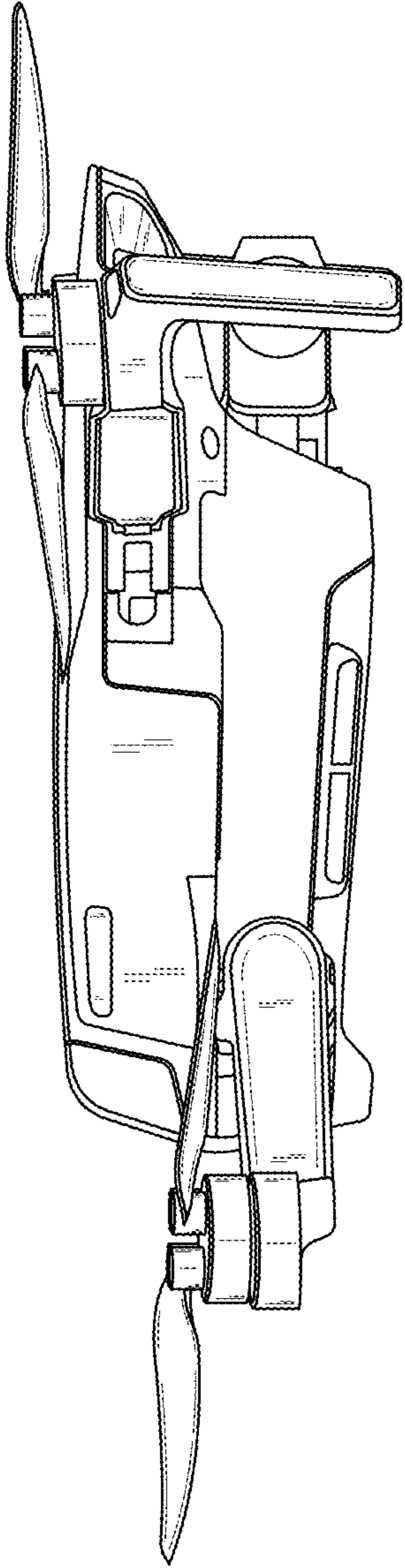


FIG. 5

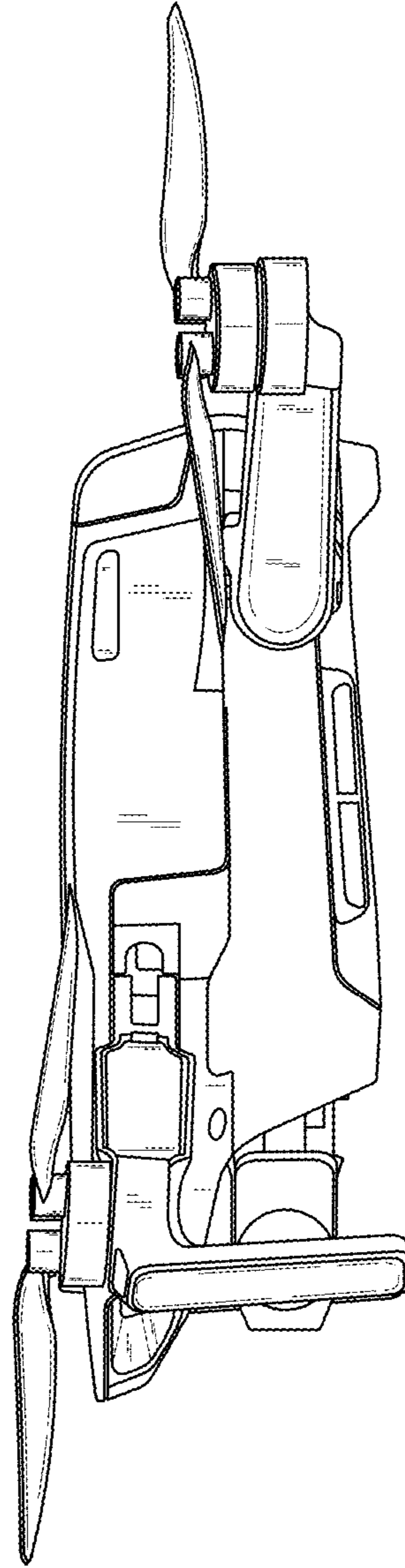


FIG. 6

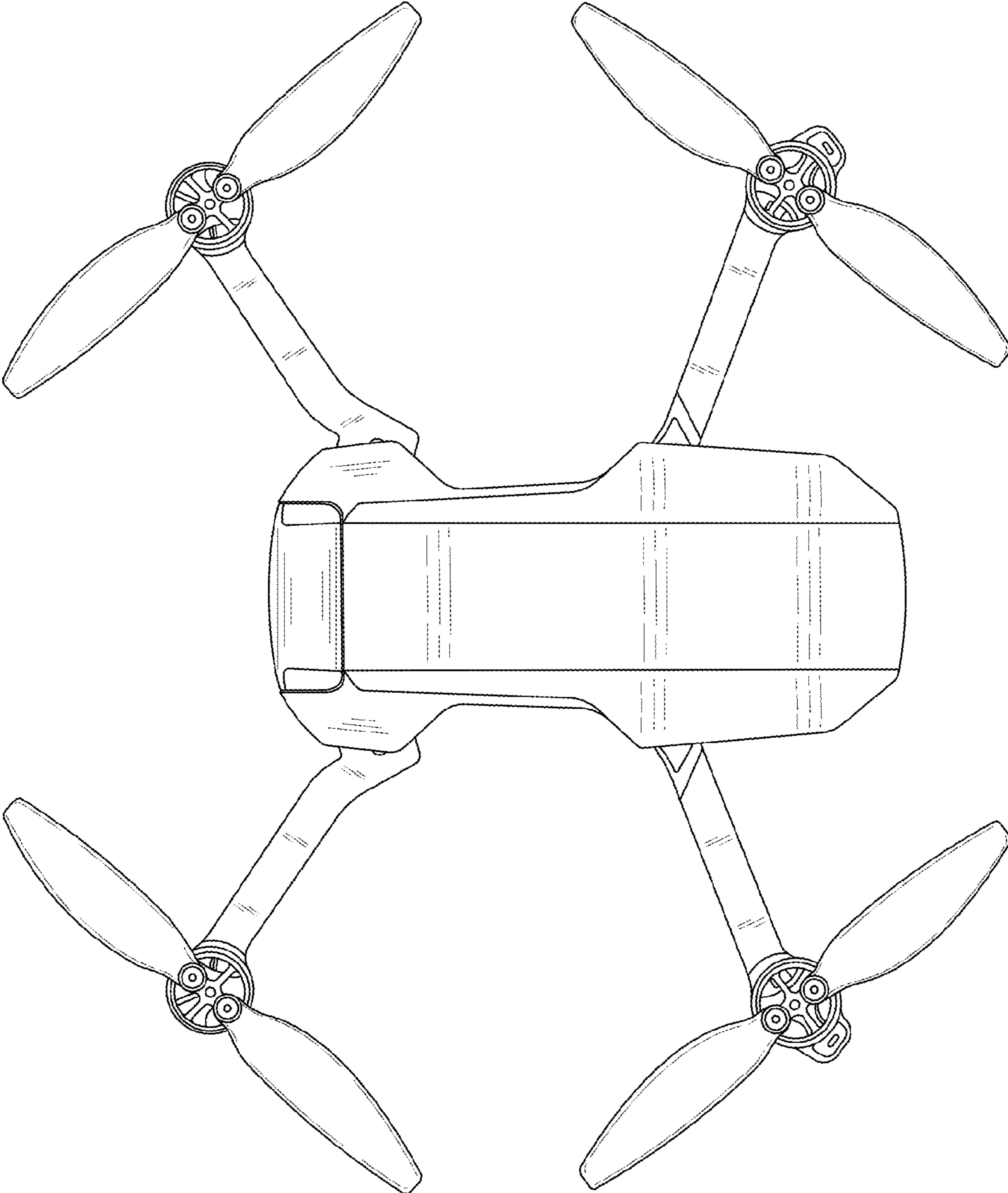


FIG. 7

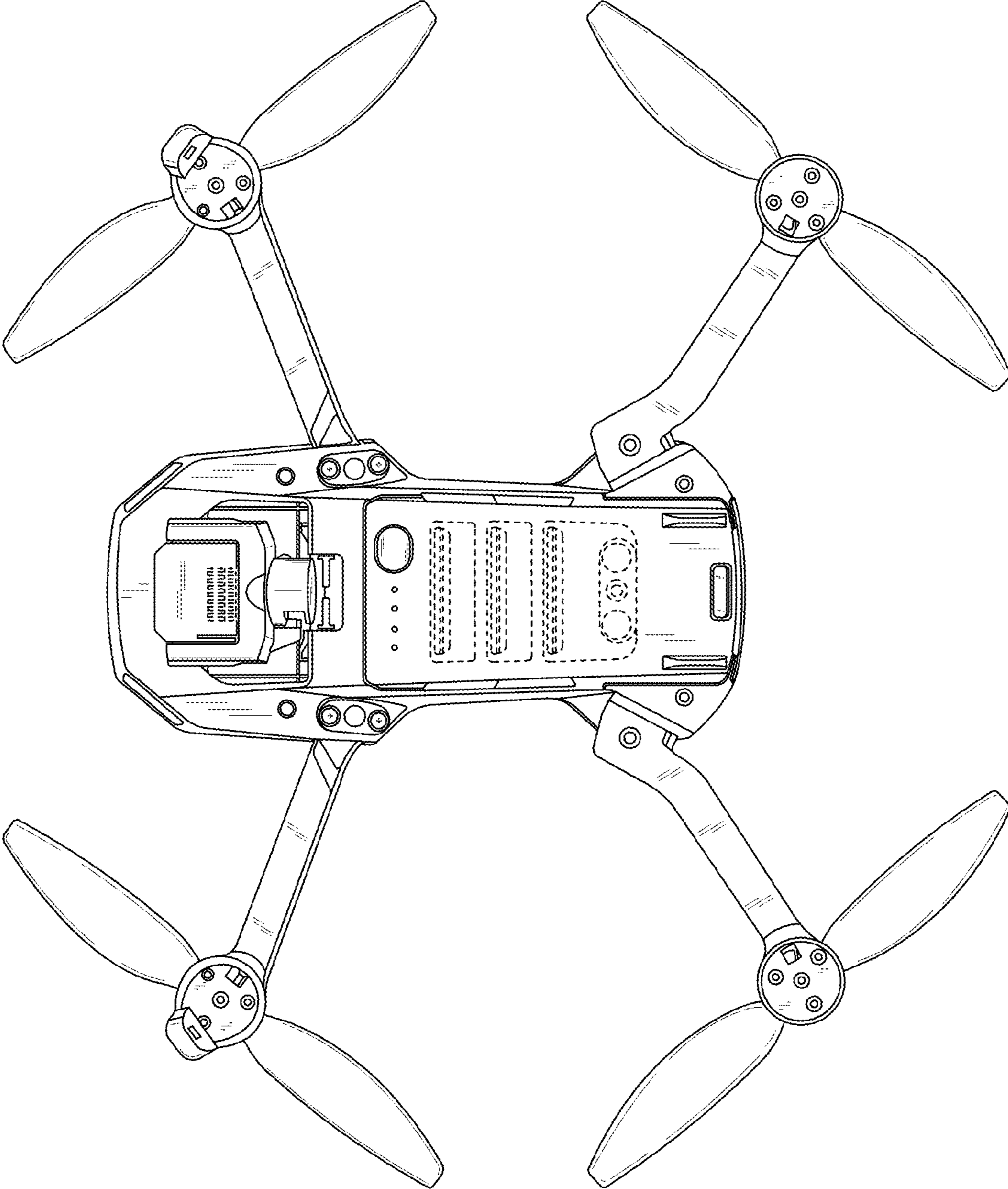


FIG. 8



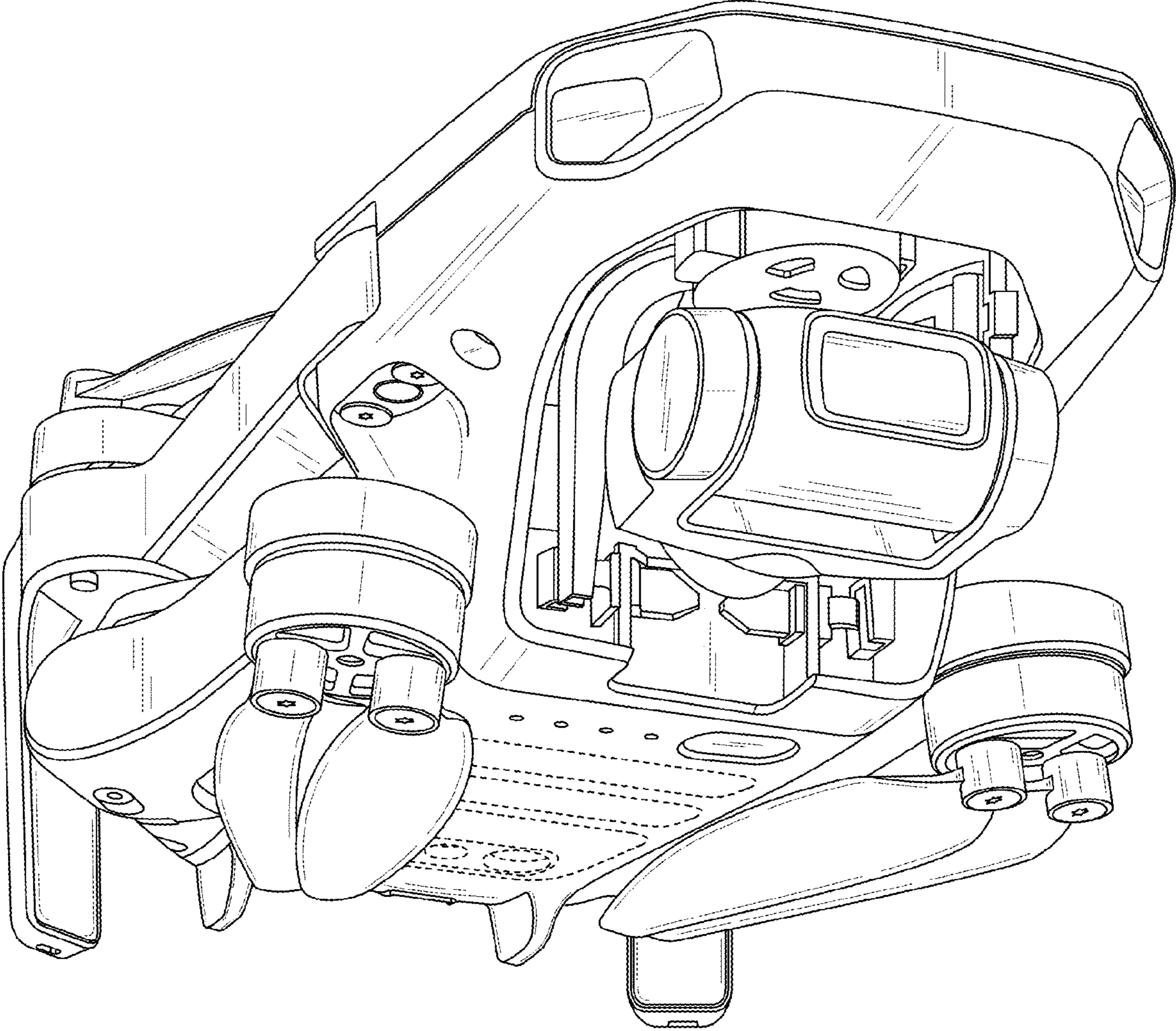


FIG. 9

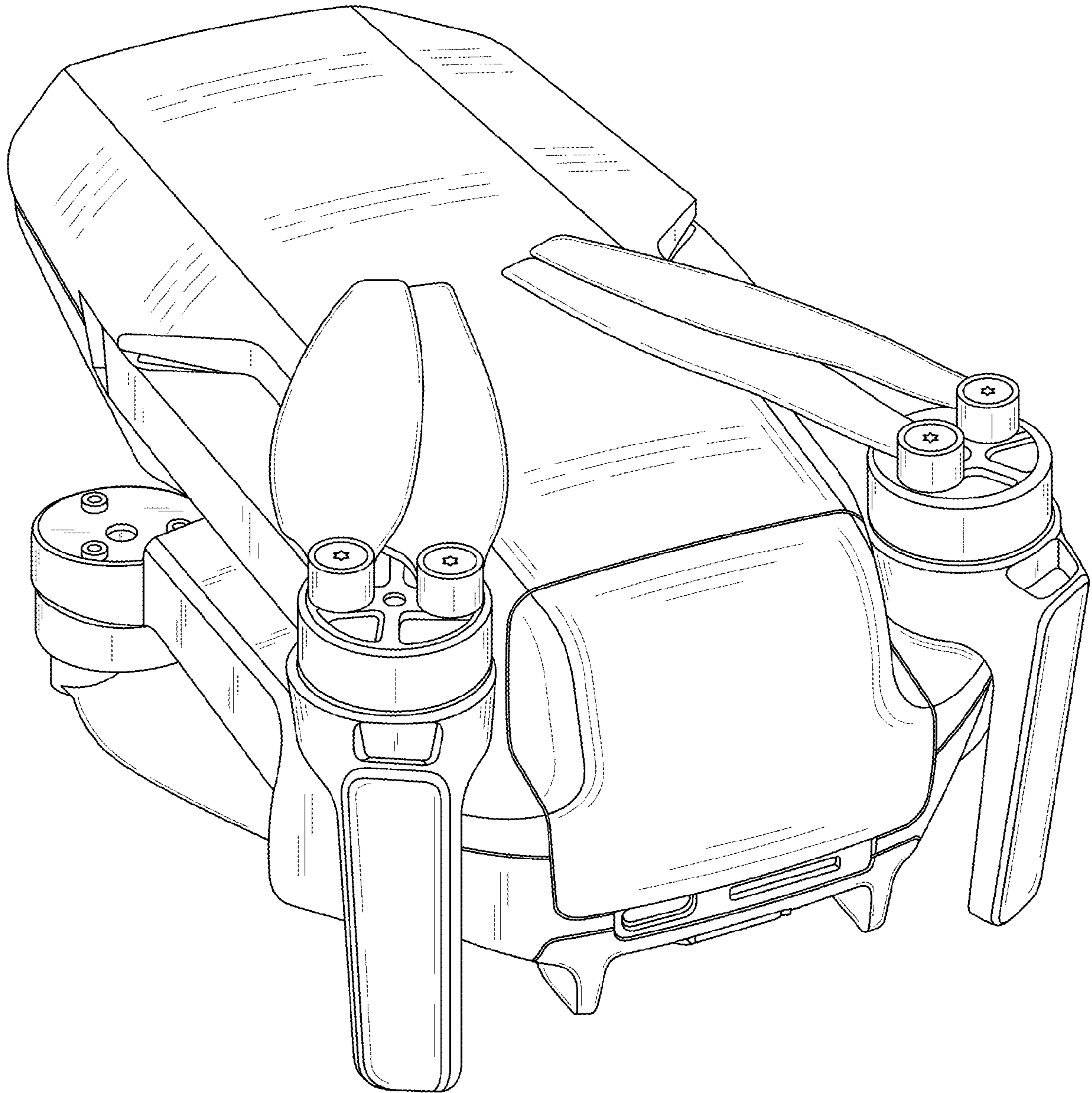


FIG. 10

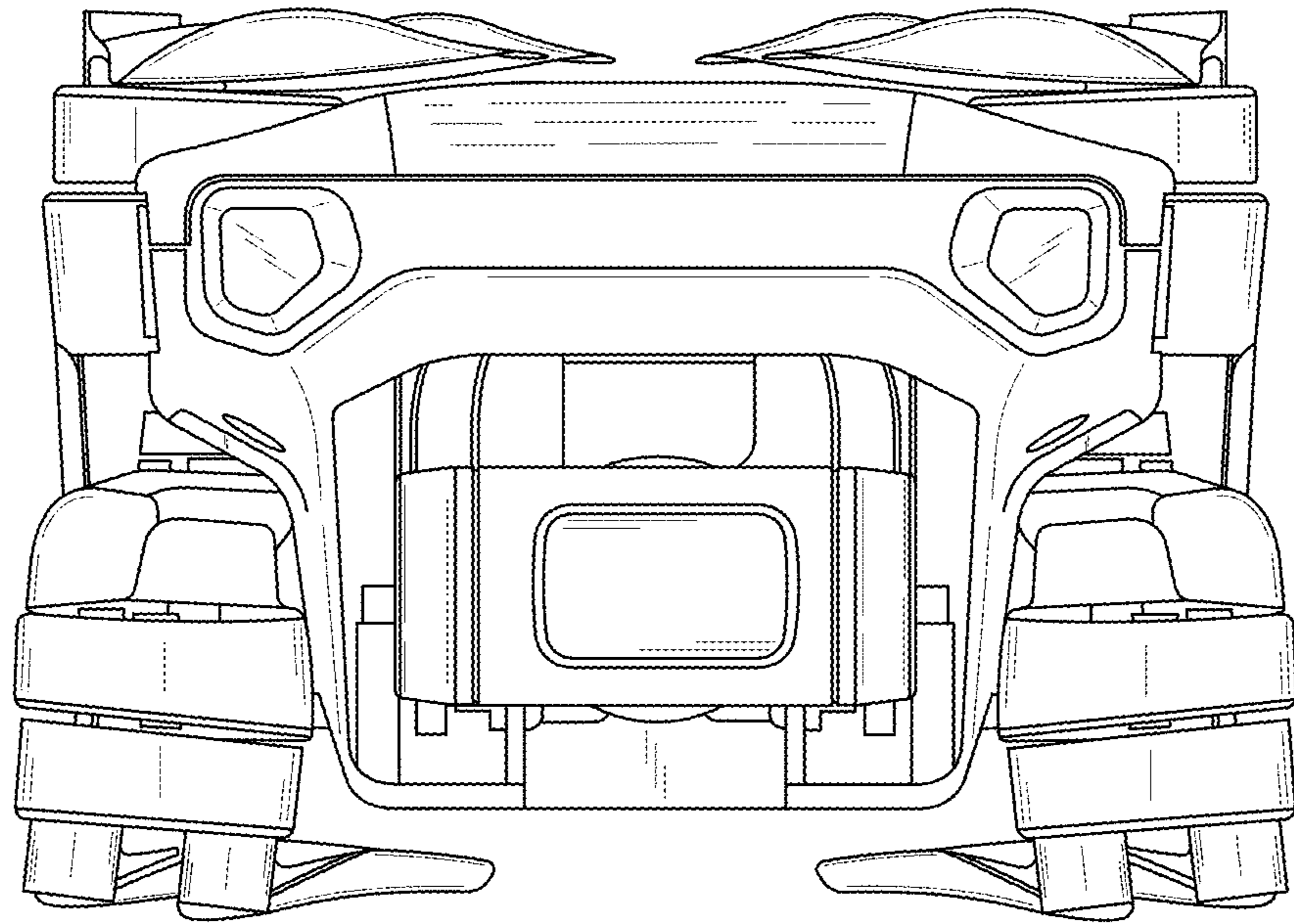


FIG. 11

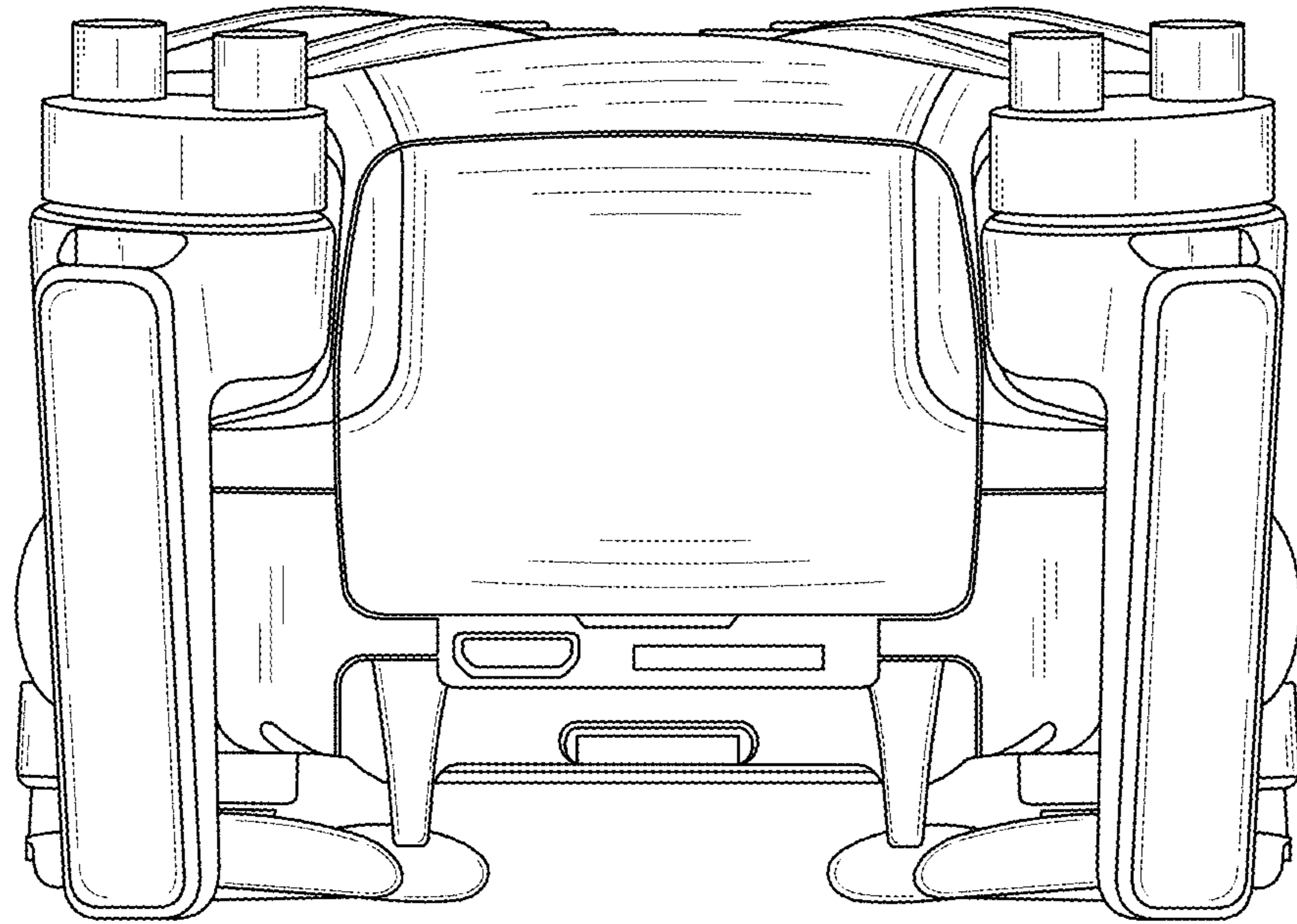


FIG. 12

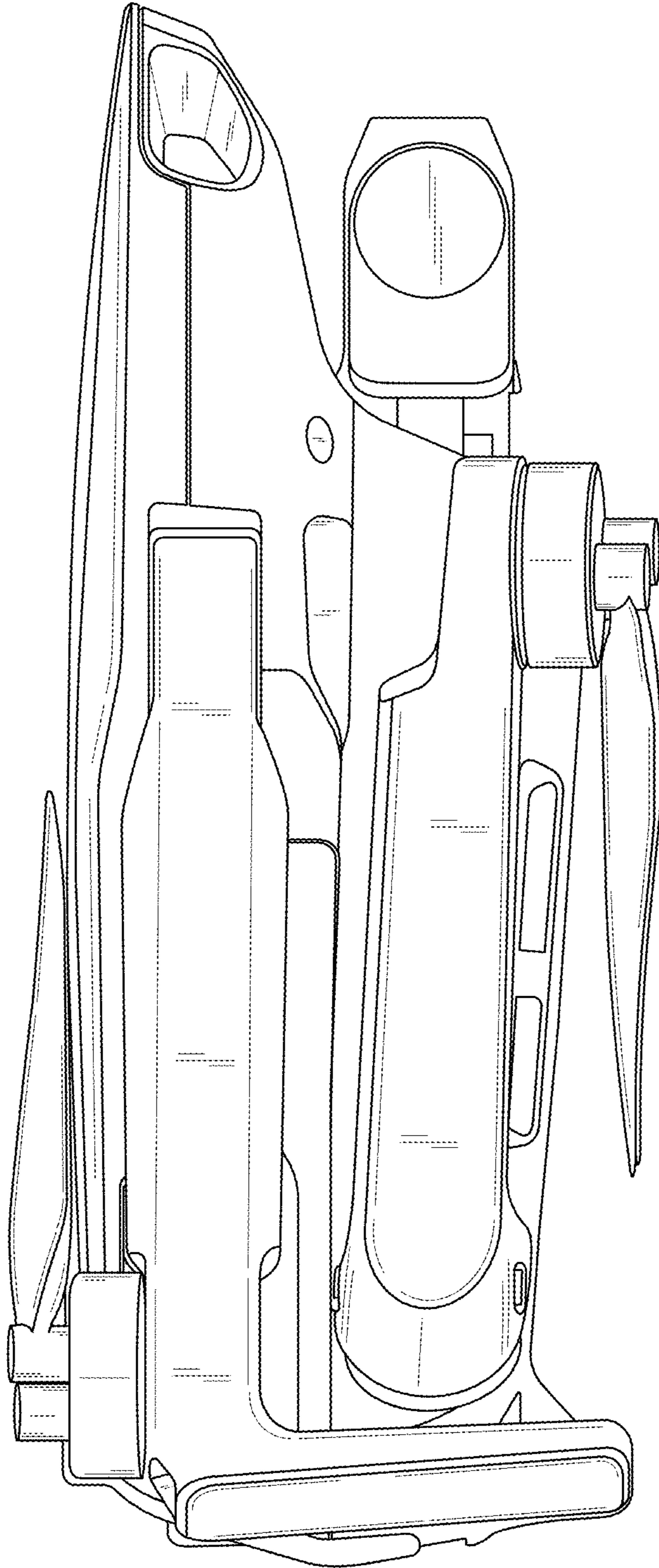


FIG. 13

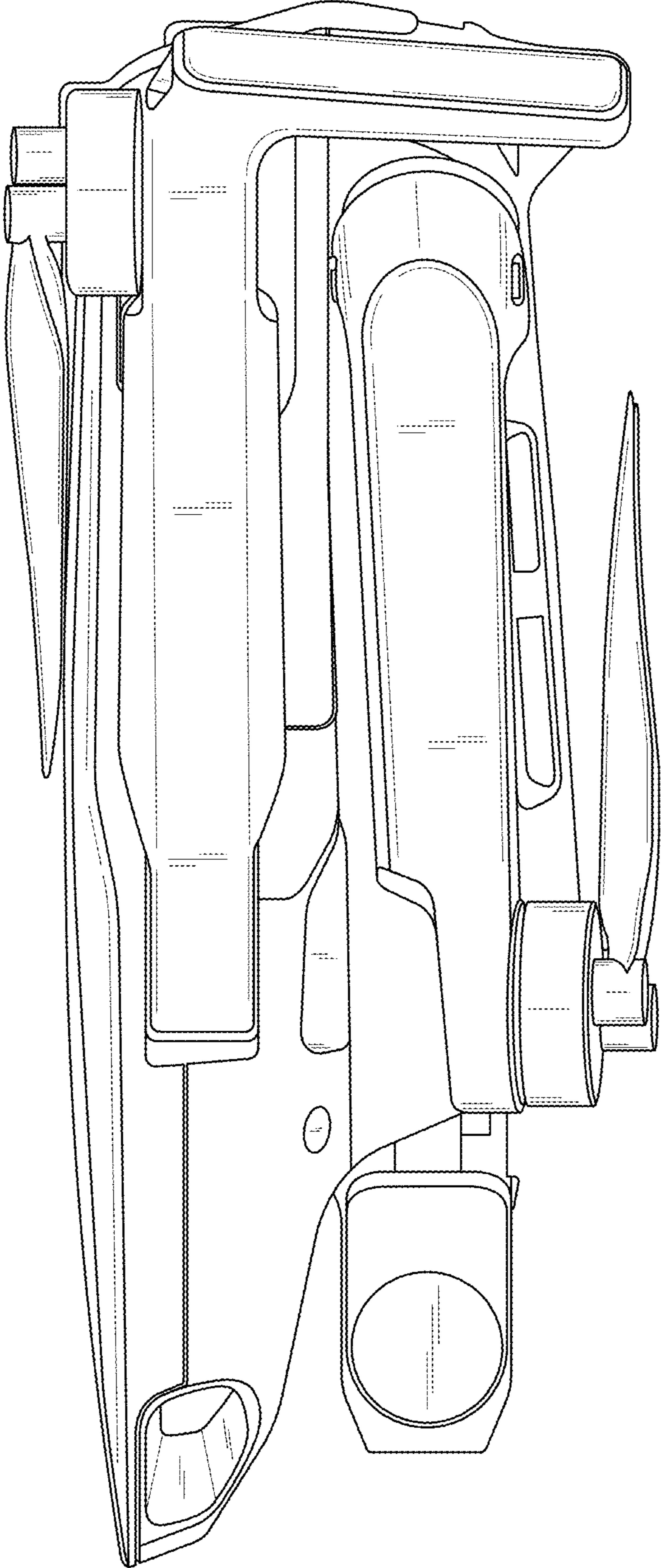


FIG. 14

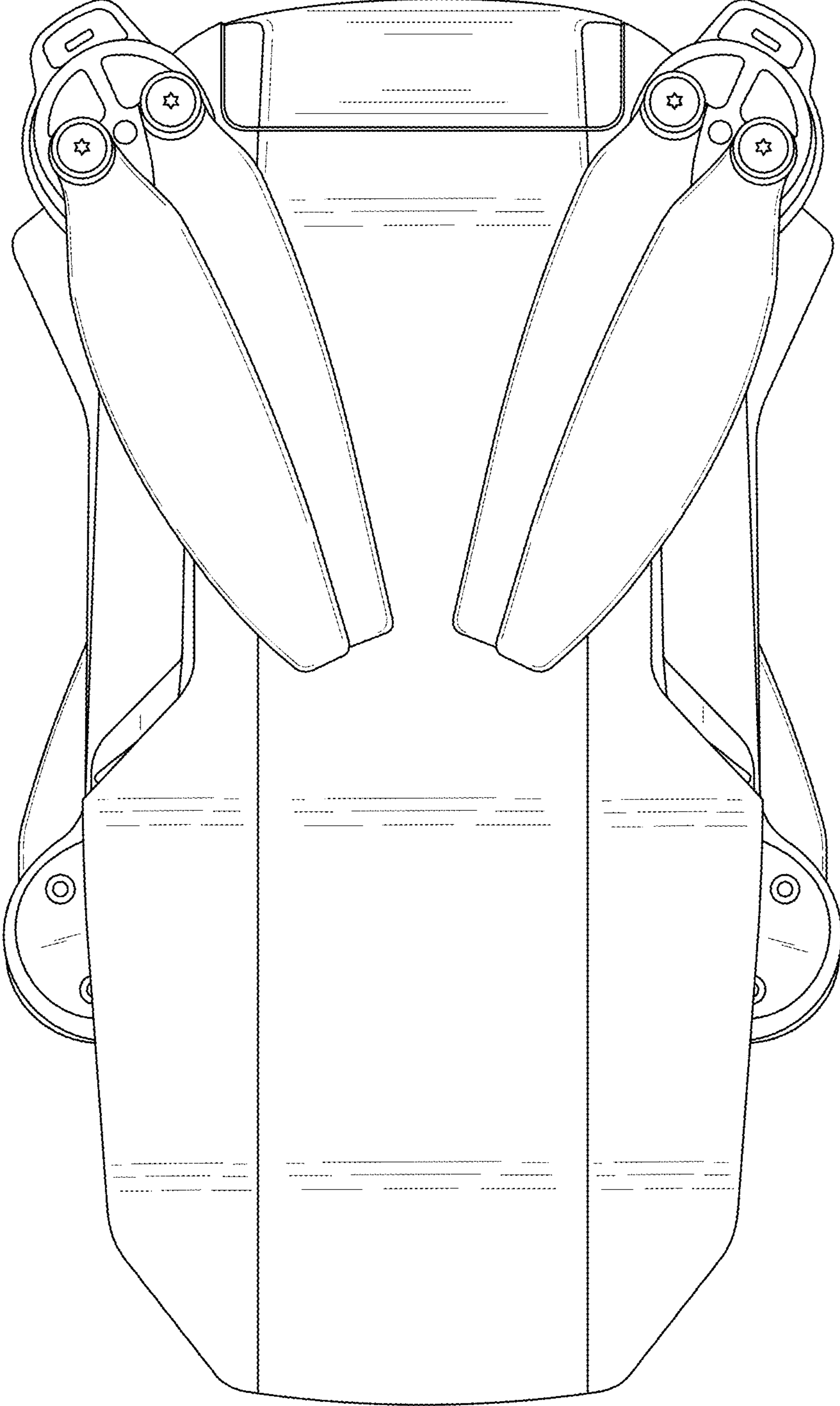


FIG. 15

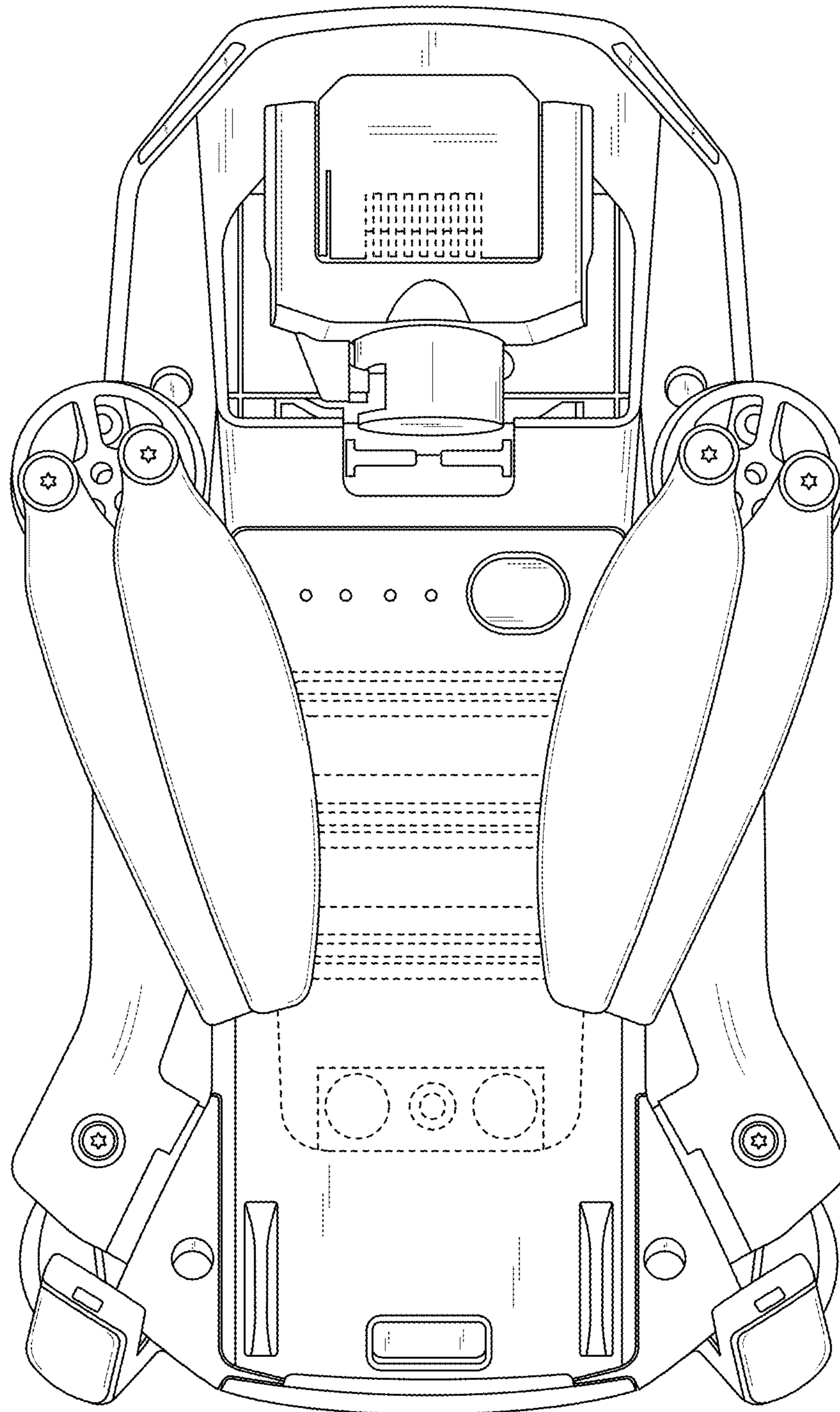


FIG. 16