



(12) **United States Design Patent**
Russo

(10) **Patent No.:** **US D745,973 S**
(45) **Date of Patent:** **** Dec. 22, 2015**

- (54) **RE-SEALABLE WOUND DRESSING**
- (71) Applicant: **Ronald D. Russo**, Naples, FL (US)
- (72) Inventor: **Ronald D. Russo**, Naples, FL (US)
- (**) Term: **15 Years**
- (21) Appl. No.: **29/505,175**
- (22) Filed: **Jul. 2, 2015**
- (51) **LOC (10) Cl.** **24-04**
- (52) **U.S. Cl.**
USPC **D24/189**
- (58) **Field of Classification Search**
USPC D24/189
CPC A61F 13/0203; A61F 2013/00451;
A61F 2013/00361
See application file for complete search history.

- 2002/0087106 A1* 7/2002 Unger A61F 13/0203
602/48
- 2004/0138601 A1* 7/2004 Chalmers A61F 13/00017
602/41
- 2004/0241214 A1* 12/2004 Kirkwood A61F 13/0213
424/445
- 2005/0159694 A1* 7/2005 Berndt A61F 13/00025
602/48
- 2005/0159695 A1* 7/2005 Cullen A61L 15/28
602/48
- 2006/0003133 A1* 1/2006 Johnson A61F 13/023
428/40.1

(Continued)

Primary Examiner — T. Chase Nelson
Assistant Examiner — Michelle E Wilson
(74) *Attorney, Agent, or Firm* — Robert J Doherty

(57) **CLAIM**
The ornamental design for a re-sealable wound dressing, as shown and described.

DESCRIPTION

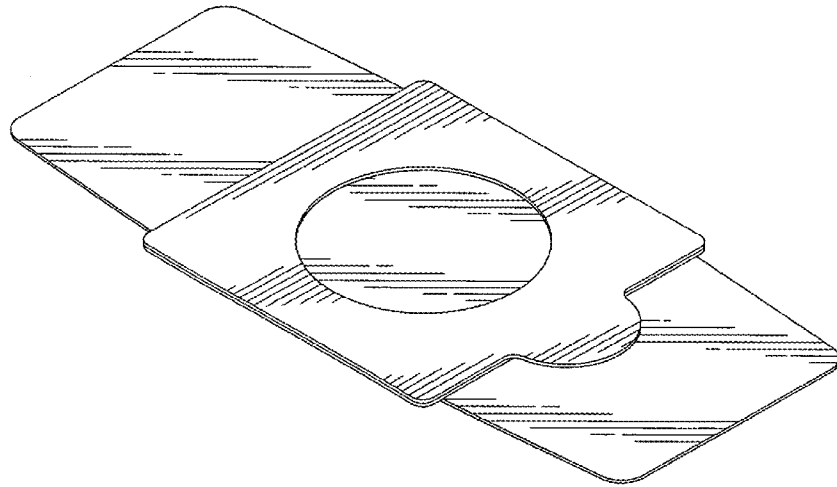
FIG. 1 is a top perspective view of a re-sealable wound dressing showing my new design;
FIG. 2 is a top plan view of FIG. 1;
FIG. 3 is a bottom plan view of FIG. 1;
FIG. 4 is a front elevation view of FIG. 1;
FIG. 5 is a rear elevation view of FIG. 1;
FIG. 6 is right side elevation view of FIG. 1;
FIG. 7 is a left side elevation view of FIG. 1;
FIG. 8 is an exploded top perspective view of FIG. 1;
FIG. 9 is a top perspective view of FIG. 1 placed over a wound with the top flap thereof in an open wound treatment position; and,
FIG. 10 is a top perspective view of FIG. 1 and similar to FIG. 9 with the top flap thereof in a closed examination position over the wound.
The broken line representations of a peel-able adhesive surface covering shown in FIG. 8 and the wound and arm shown in FIGS. 9 and 10 are for purposes of illustrating environment and form no part of the claimed design.

(56) **References Cited**

U.S. PATENT DOCUMENTS

D408,541 S *	4/1999	Dunshee	D24/189
D409,754 S *	5/1999	Dunshee	D24/189
D430,674 S *	9/2000	Dunshee	D24/189
D454,955 S *	3/2002	Dunshee	D24/189
D458,687 S *	6/2002	Dale	D24/189
D493,230 S *	7/2004	Liedtke	D24/189
D572,824 S *	7/2008	Propp	D24/189
D576,282 S *	9/2008	Yanaki	D24/189
7,619,130 B2 *	11/2009	Nielsen	A61F 13/02 602/41
D620,123 S *	7/2010	Igwebuike	D24/189
D679,402 S *	4/2013	Conrad-Vlasak	D24/189
D679,403 S *	4/2013	Heinecke	D24/189
D683,858 S *	6/2013	Smith	D24/189
D687,555 S *	8/2013	Peterson	D24/189
D688,377 S *	8/2013	Heinecke	D24/189
D690,425 S *	9/2013	Heinecke	D24/189
D693,010 S *	11/2013	Mosa	D24/189
D695,901 S *	12/2013	Heinecke	D24/189
D723,176 S *	2/2015	Igwebuike	D24/189
D723,177 S *	2/2015	Igwebuike	D24/189
D729,391 S *	5/2015	Igwebuike	D24/189

1 Claim, 5 Drawing Sheets



(56)

References Cited

U.S. PATENT DOCUMENTS

2007/0003606	A1 *	1/2007	Booher	A61B 5/14539 424/448	2012/0165715	A1 *	6/2012	Murphy	A61F 13/023 602/54
2009/0082710	A1 *	3/2009	Vitaris	A61F 13/023 602/52	2012/0197173	A1 *	8/2012	Babitz	A61F 13/0008 602/54
2009/0227968	A1 *	9/2009	Vess	A61F 13/02 604/313	2012/0238932	A1 *	9/2012	Atteia	A61F 13/02 602/52
2009/0234306	A1 *	9/2009	Vitaris	A61F 13/00063 604/304	2014/0058309	A1 *	2/2014	Addison	A61F 13/02 602/44
2009/0234309	A1 *	9/2009	Vitaris	A61M 1/0049 604/313	2014/0107561	A1 *	4/2014	Dorian	A61M 37/00 604/23
					2014/0358058	A1 *	12/2014	Nelson	A61F 13/00063 602/48

* cited by examiner

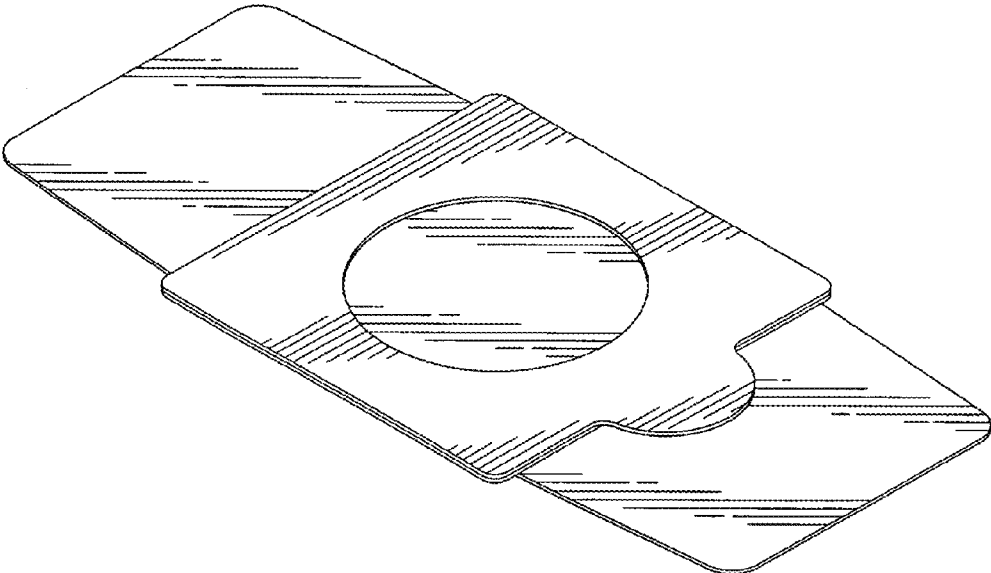


FIG. 1

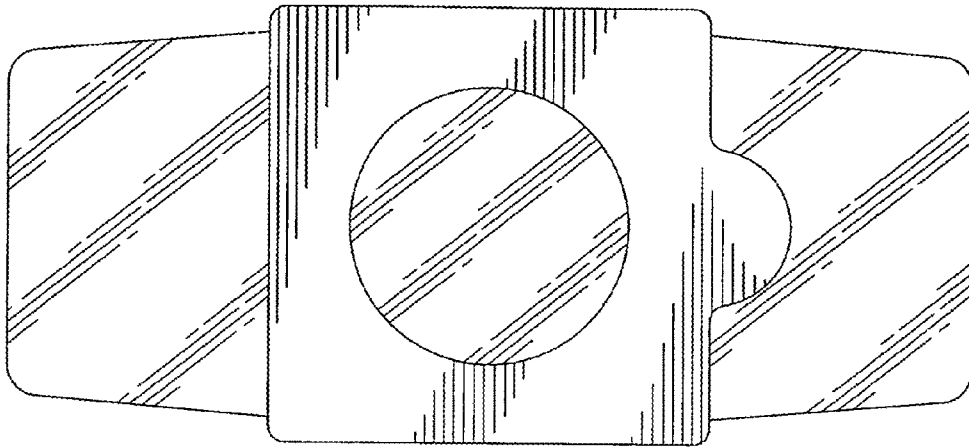


FIG. 2

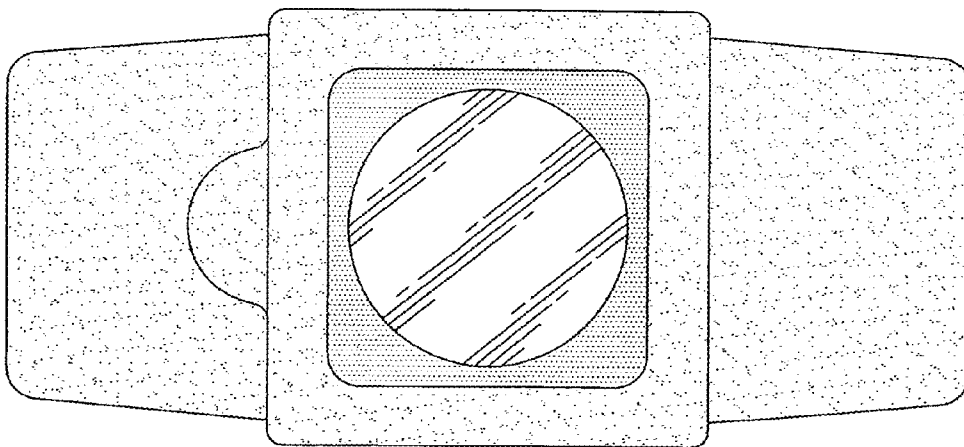


FIG. 3

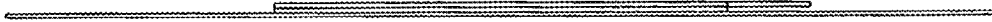


FIG. 4

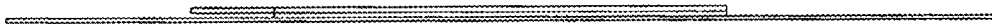


FIG. 5

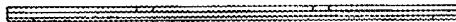


FIG. 6

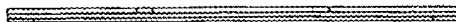


FIG. 7

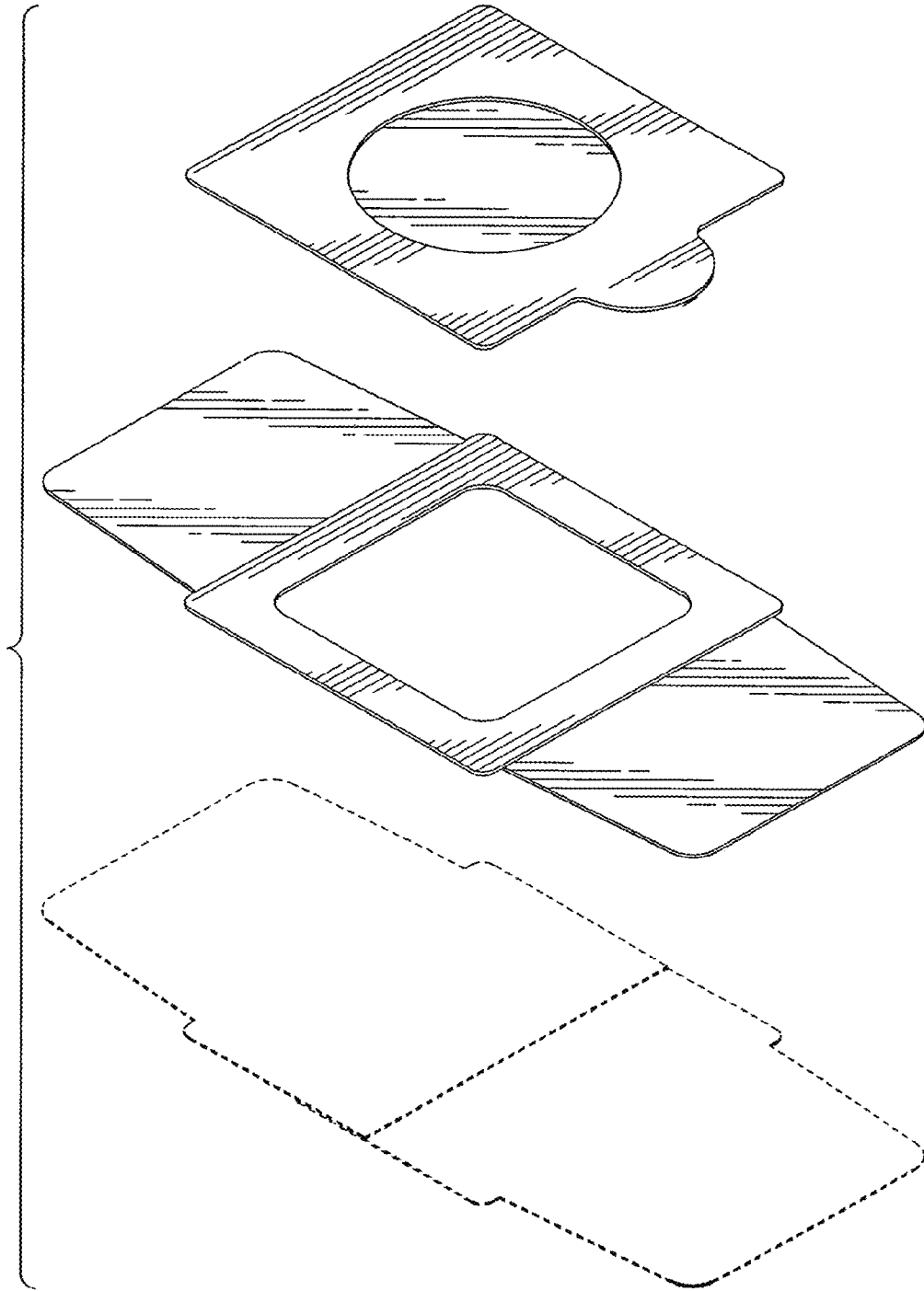


FIG. 8

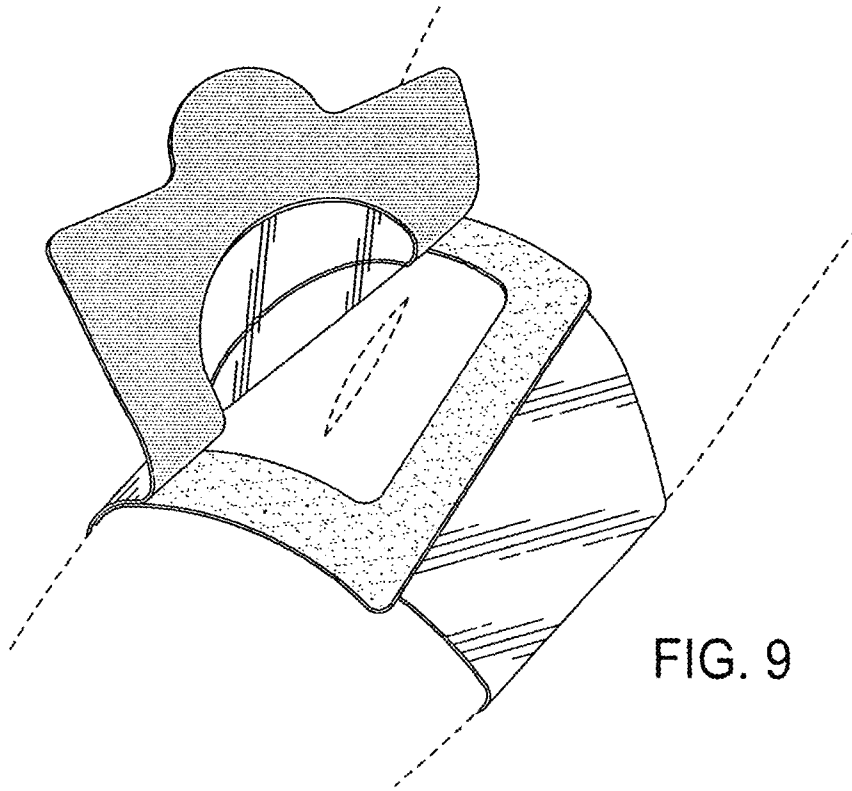


FIG. 9

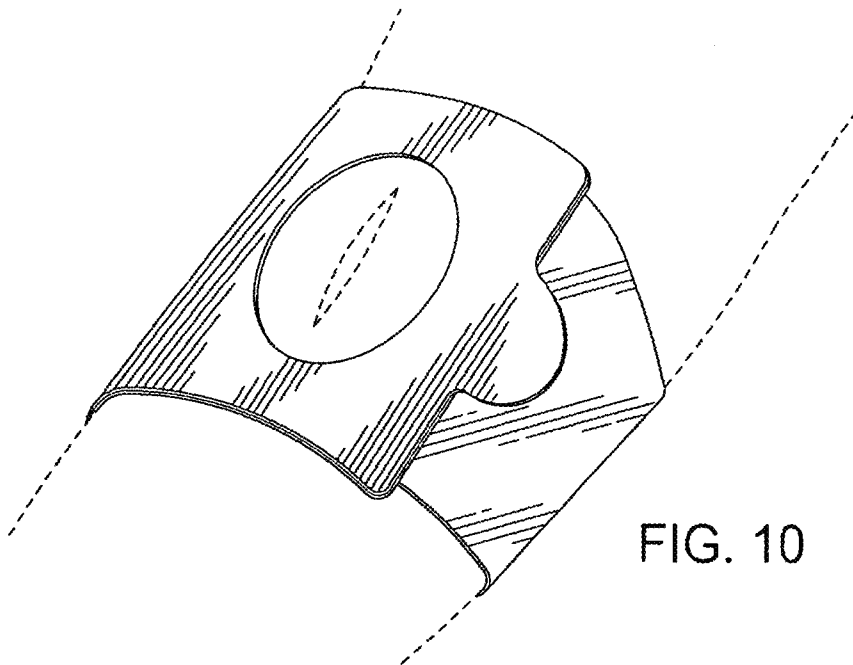


FIG. 10