



US0D1069187S

(12) **United States Design Patent**
Stucchi

(10) **Patent No.:** **US D1,069,187 S**

(45) **Date of Patent:** **** Apr. 1, 2025**

(54) **LIGHTING FIXTURE**

(56) **References Cited**

(71) Applicant: **A.A.G. STUCCHI S.R.L.**, Olginate (IT)

U.S. PATENT DOCUMENTS

(72) Inventor: **Aristide Stucchi**, Lecco (IT)

D547,483	S	*	7/2007	Pickett	D26/89
D575,444	S	*	8/2008	Lissoni	D26/137
D621,088	S	*	8/2010	Nomi	D26/118
D659,281	S	*	5/2012	Patkus	D26/137
D709,643	S	*	7/2014	Kohler	D26/138
D799,739	S	*	10/2017	Dean	D26/128
D819,259	S	*	5/2018	McTaggart	D26/128
D903,931	S	*	12/2020	Guan	D26/110
D929,555	S	*	8/2021	Lee	D23/364
11,959,617	B1	*	4/2024	Ke	F21V 21/049
2020/0370729	A1	*	11/2020	Eidam	F21V 17/02

(73) Assignee: **A.A.G. STUCCHI S.R.L.**, Olginate (IT)

* cited by examiner

(**) Term: **15 Years**

(21) Appl. No.: **29/899,383**

Primary Examiner — Angela J Lee

(22) Filed: **Aug. 8, 2023**

Assistant Examiner — Audris Park

(30) **Foreign Application Priority Data**

(74) *Attorney, Agent, or Firm* — Florek & Endres PLLC

Feb. 10, 2023 (EM) 015011142-0001

(51) **LOC (15) Cl.** **26-05**

(57) **CLAIM**

(52) **U.S. Cl.**

The ornamental design for a lighting fixture as shown and described.

USPC **D26/72**

DESCRIPTION

(58) **Field of Classification Search**

USPC D26/24, 42, 55, 60, 61, 64, 72, 74, 75, D26/76, 77, 79, 80, 81, 82, 83, 84, 85, D26/86, 87, 88, 89, 90, 92, 113, 120, D26/122, 123; D24/209

FIG. 1 is a top view of the lighting fixture of the present invention.

FIG. 2 is a front elevation of the lighting fixture of the present invention.

FIG. 3 is a perspective view of the lighting fixture of the present invention; and,

FIG. 4 is a side elevation of the lighting fixture of the present invention.

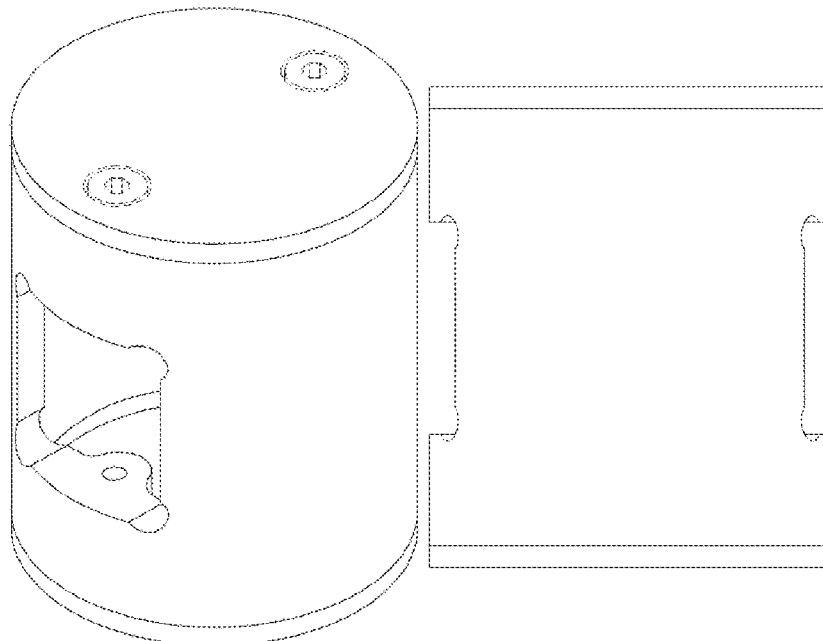
CPC F21S 4/00; F21S 4/28; F21S 8/00; F21S 8/003; F21S 8/024; F21S 8/026; F21S 8/028; F21S 8/03; F21S 8/033; F21S 8/04; F21S 8/043; F21V 5/007; F21V 19/008; F21V 21/10; F21V 21/108; F21W 2131/10; F21W 2131/20; F21Y 2103/00; F21Y 2105/16; A01G 7/045; A01G 9/249; A01G 22/00

The claimed design has a flat bottom that is without surface ornamentation.

The broken lines are for the purpose of illustrating features that form no part of the claimed design.

See application file for complete search history.

1 Claim, 4 Drawing Sheets



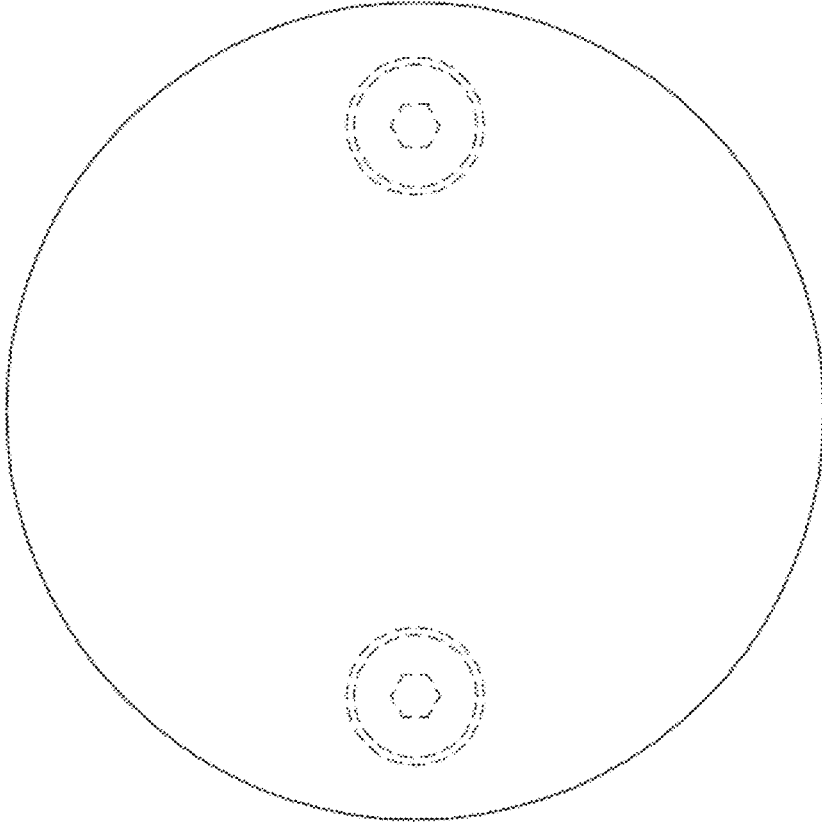


FIG. 1

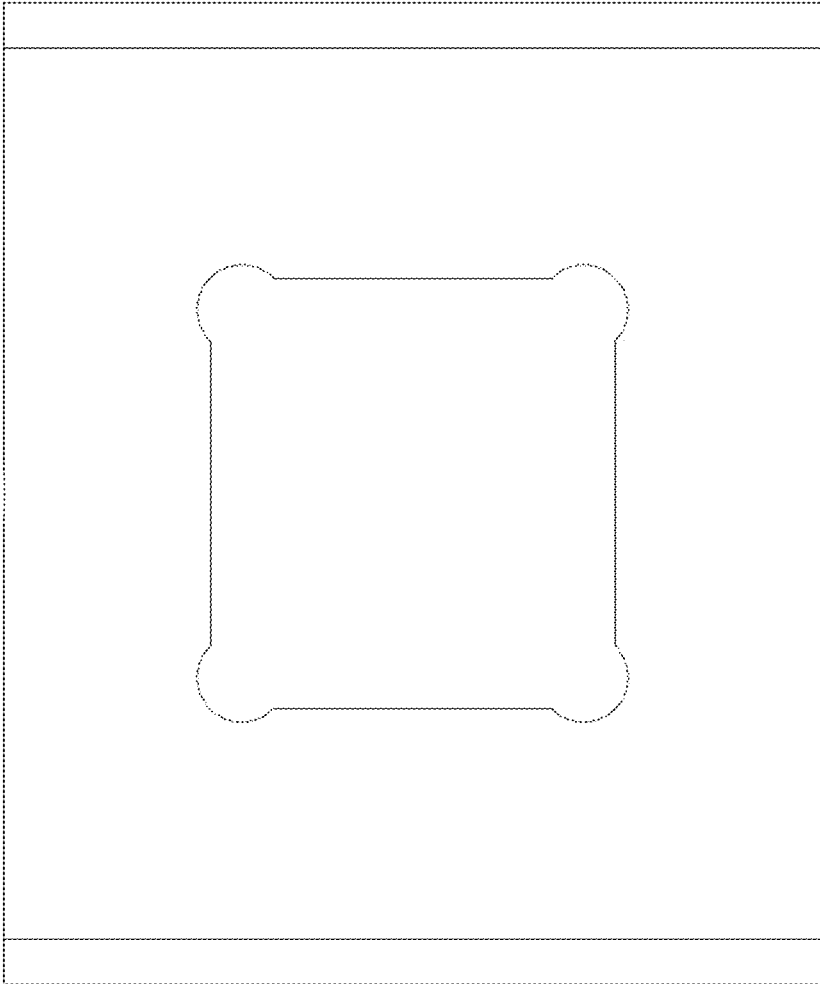


FIG. 2

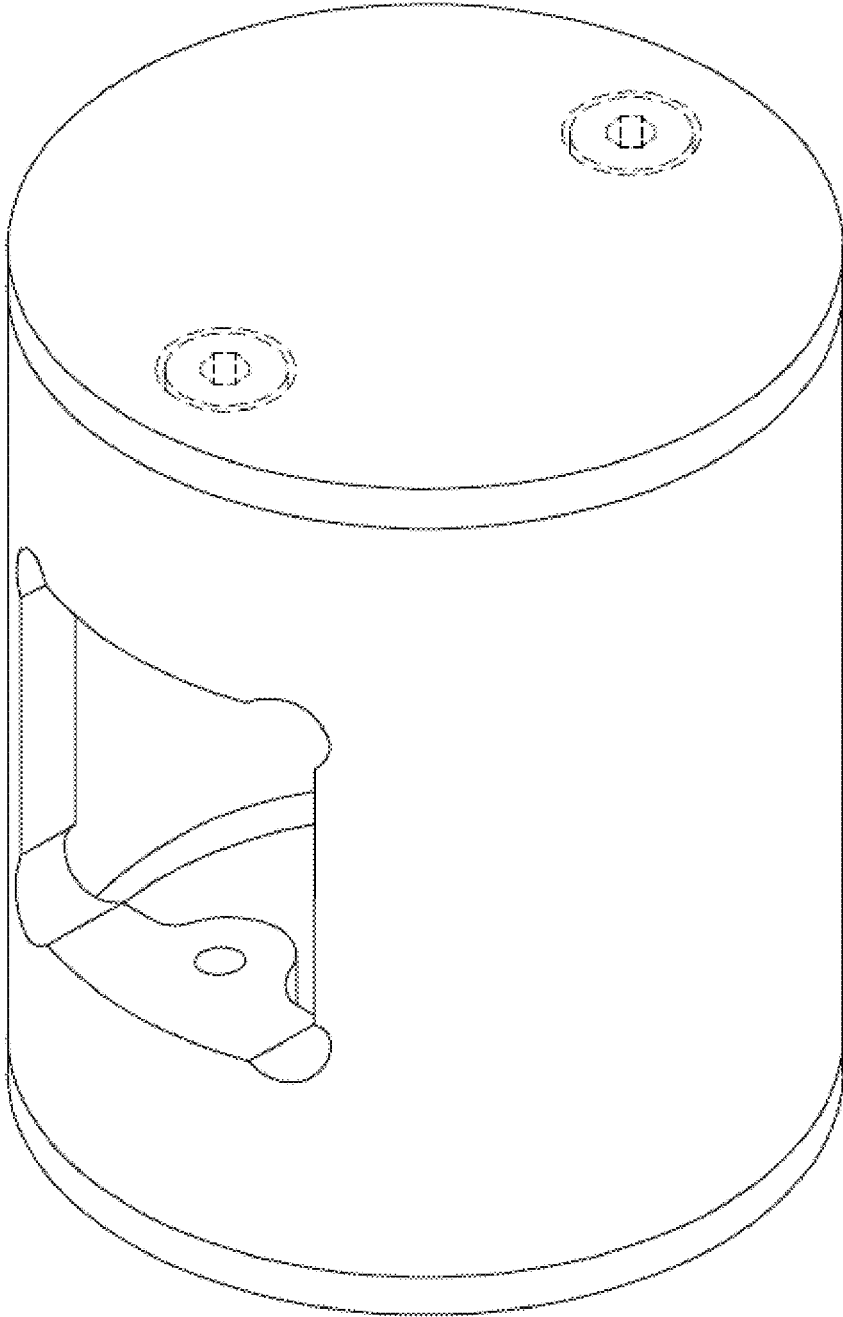


FIG. 3

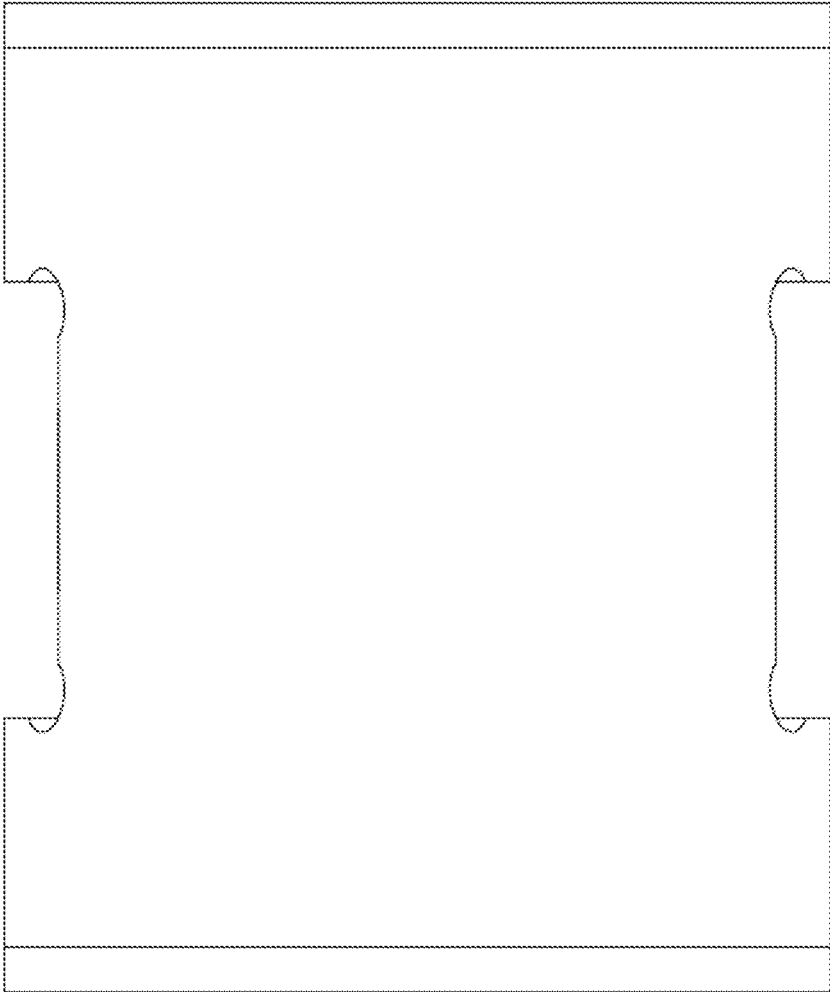


FIG. 4