



US00D749783S

(12) **United States Design Patent**
Norwid

(10) **Patent No.:** **US D749,783 S**

(45) **Date of Patent:** **** Feb. 16, 2016**

- (54) **HAIR DRYER TOOL**
- (71) Applicant: **Paula Danette Norwid**, Woodway, TX (US)
- (72) Inventor: **Paula Danette Norwid**, Woodway, TX (US)
- (**) Term: **14 Years**
- (21) Appl. No.: **29/510,281**
- (22) Filed: **Nov. 26, 2014**
- (51) **LOC (10) Cl.** **28-03**
- (52) **U.S. Cl.**
USPC **D28/18**
- (58) **Field of Classification Search**
USPC D28/12-19; 34/96-101; 392/380-385;
219/222
CPC A45D 20/00-20/12
See application file for complete search history.

- 6,009,883 A * 1/2000 Morrow A45D 2/001
132/211
- D425,244 S * 5/2000 Smith D28/18
- D426,674 S * 6/2000 Kwong D28/18
- D433,182 S * 10/2000 Kwong D28/18
- D433,183 S * 10/2000 Kwong D28/18
- D670,862 S * 11/2012 Petruccelli, Jr. D28/18

* cited by examiner

Primary Examiner — Zenia Bennett

(57) **CLAIM**

The ornamental design for a hair dryer tool, as shown and described.

DESCRIPTION

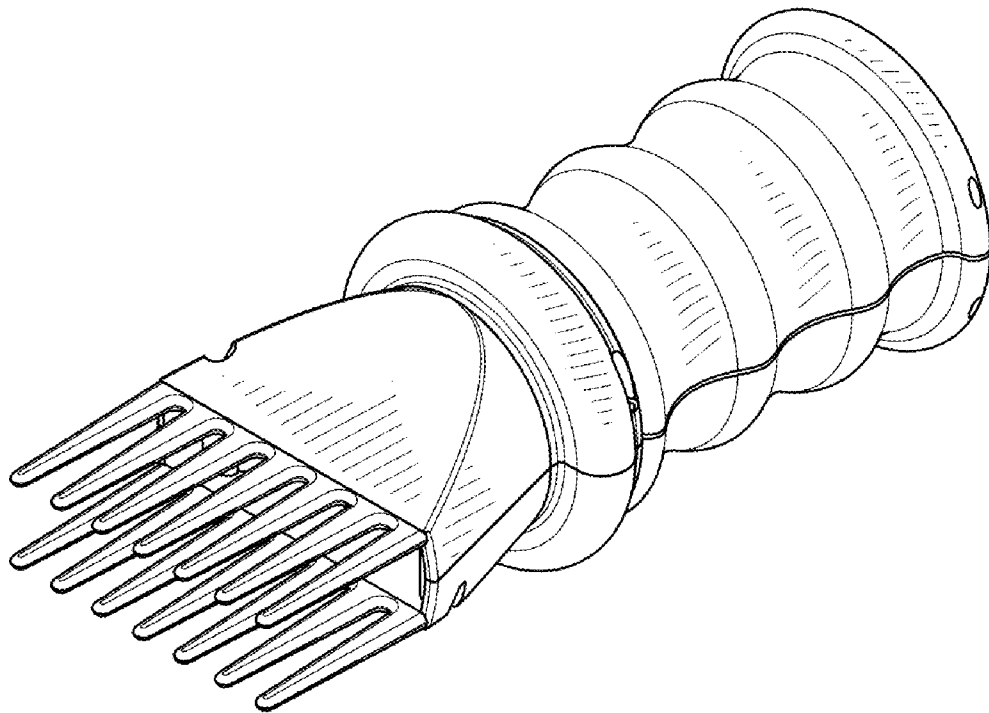
FIG. 1 is a perspective view of a hair dryer tool, shown in-use; FIG. 2 is a perspective front view of a hair dryer tool; FIG. 3 is a front elevation view of the hair dryer tool; FIG. 4 is a rear elevation view of the hair dryer tool; FIG. 5 is a left elevation view of the hair dryer tool; FIG. 6 is a right elevation view of the hair dryer tool; FIG. 7 is a top elevation view of the hair dryer tool; and, FIG. 8 is a bottom elevation view of the hair dryer tool. The broken lines shown in the drawings illustrate portions of the hair dryer tool that form no part of the claimed design.

(56) **References Cited**

U.S. PATENT DOCUMENTS

- D377,694 S * 1/1997 Smal D28/18
- D381,766 S * 7/1997 Smal D28/18

1 Claim, 3 Drawing Sheets



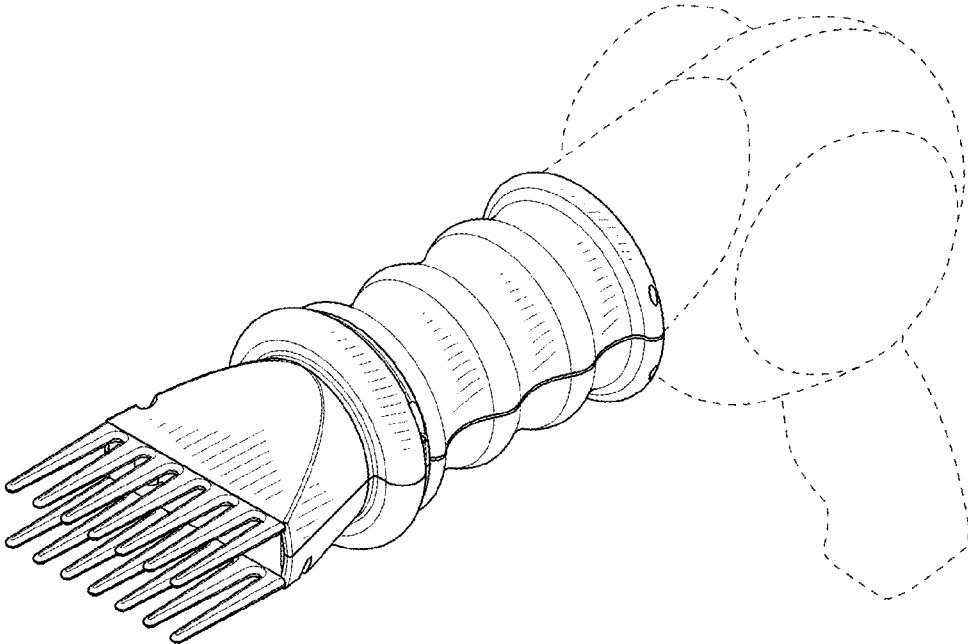


FIG. 1

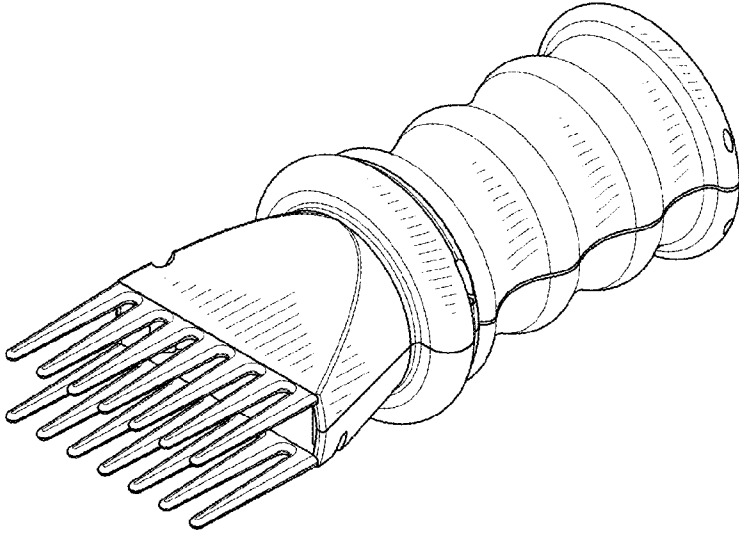


FIG. 2

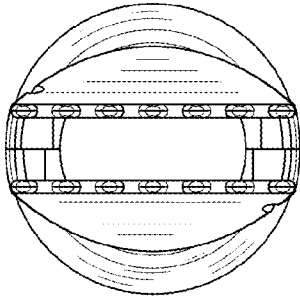


FIG. 3

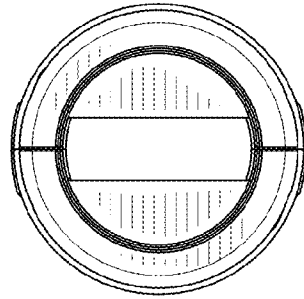


FIG. 4

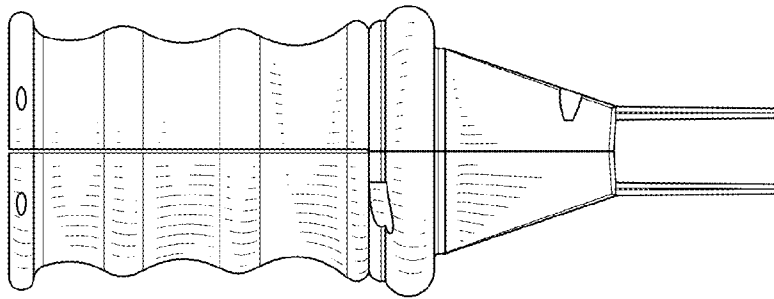


FIG. 5

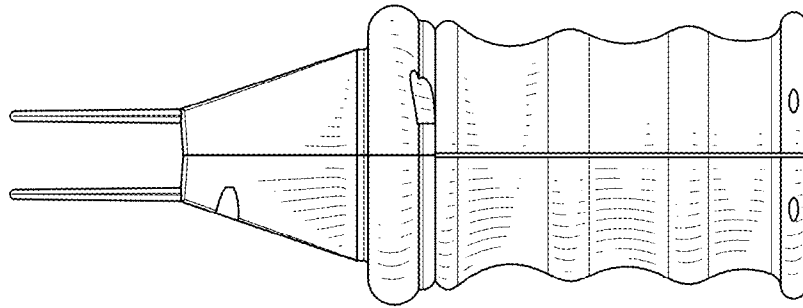


FIG. 6

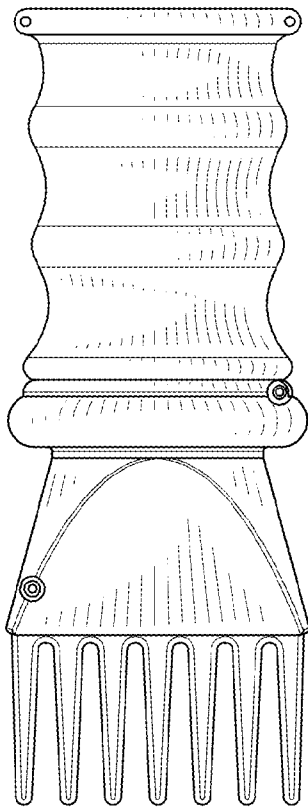


FIG. 7

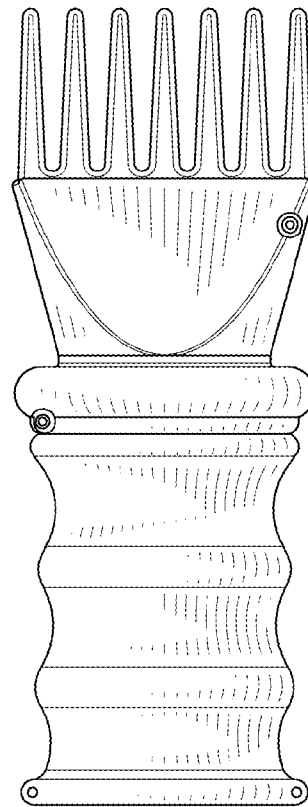


FIG. 8