



US00D375147S

# United States Patent [19]

Doughty et al.

[11] Patent Number: **Des. 375,147**

[45] Date of Patent: **\*\*Oct. 29, 1996**

[54] FAUCET

[75] Inventors: **Frederic C. Doughty**, S. Pasadena;  
**Darren M. Mark**, Castaic, both of Calif.

[73] Assignee: **Emhart, Inc.**, Newark, Del.

[\*\*] Term: **14 Years**

[21] Appl. No.: **44,394**

[22] Filed: **Sep. 22, 1995**

[52] U.S. Cl. .... **D23/243**

[58] Field of Search ..... **D23/238-243,**  
**D23/250-257; 4/675-678; 137/801**

[56] **References Cited**

**U.S. PATENT DOCUMENTS**

- D. 87,328 7/1932 Brotz .
- D. 144,249 3/1946 Hinderer ..... D23/243
- D. 176,447 12/1955 Cohen .
- D. 193,924 10/1962 Harty ..... D23/241
- D. 197,455 2/1964 Mackay .
- D. 216,692 3/1970 Young .

- D. 253,799 1/1980 Saporito et al. .
- D. 258,519 3/1981 Thevenot ..... D23/243
- D. 258,525 5/1981 Thevenot .
- D. 279,923 7/1985 Niemann et al. .... D23/255
- D. 288,837 3/1987 Yost .
- D. 296,461 6/1988 Yost .

*Primary Examiner*—Stella Reid  
*Assistant Examiner*—Eric Watterson  
*Attorney, Agent, or Firm*—J. Bruce Hoofnagle

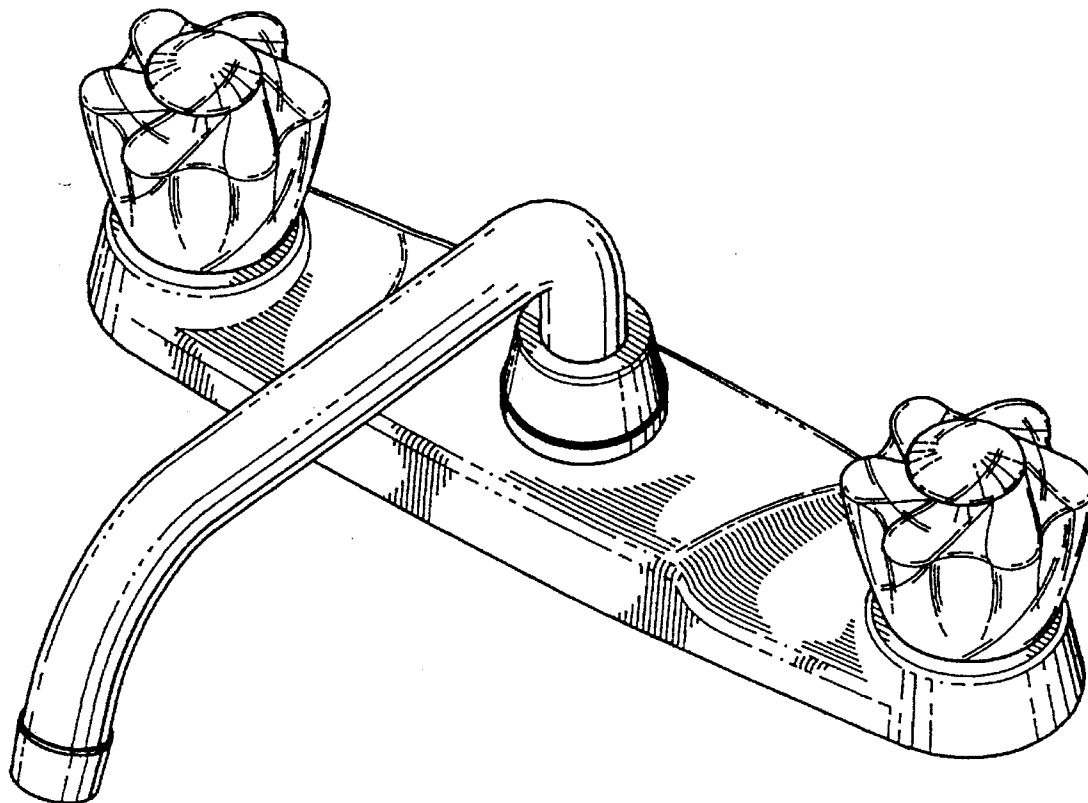
[57] **CLAIM**

The ornamental design for a faucet, as shown and described.

**DESCRIPTION**

FIG. 1 is a top perspective view of a faucet showing my new design;  
FIG. 2 is a front elevational view thereof;  
FIG. 3 is a rear elevational view thereof;  
FIG. 4 is a left side elevational view, the right side being a mirror image thereof;  
FIG. 5 is a top plan view thereof; and,  
FIG. 6 is a bottom plan view thereof.

**1 Claim, 3 Drawing Sheets**



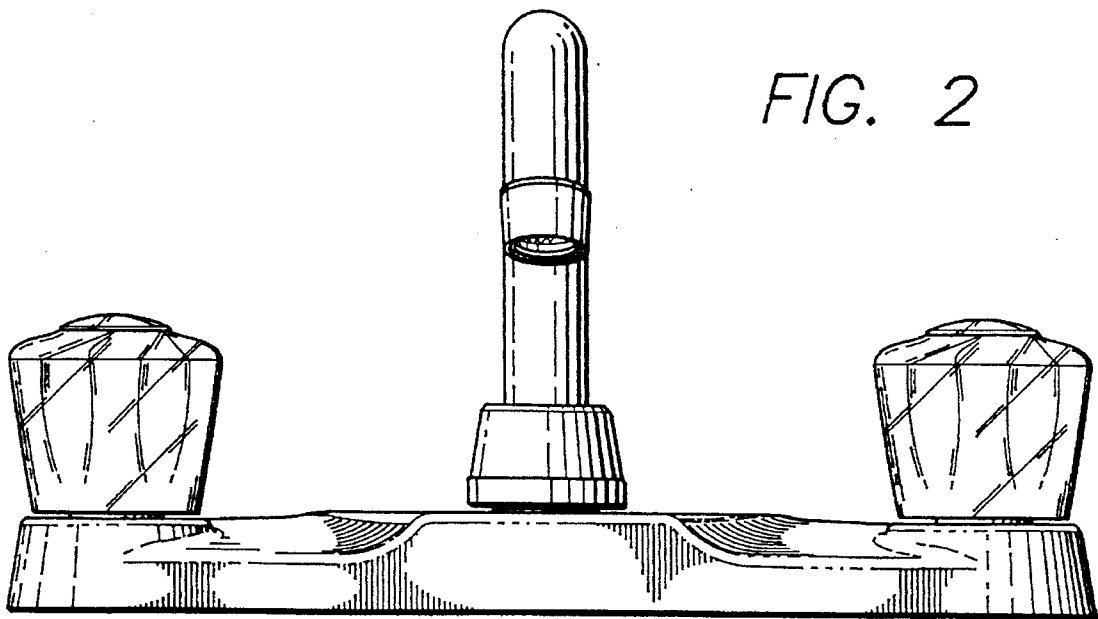
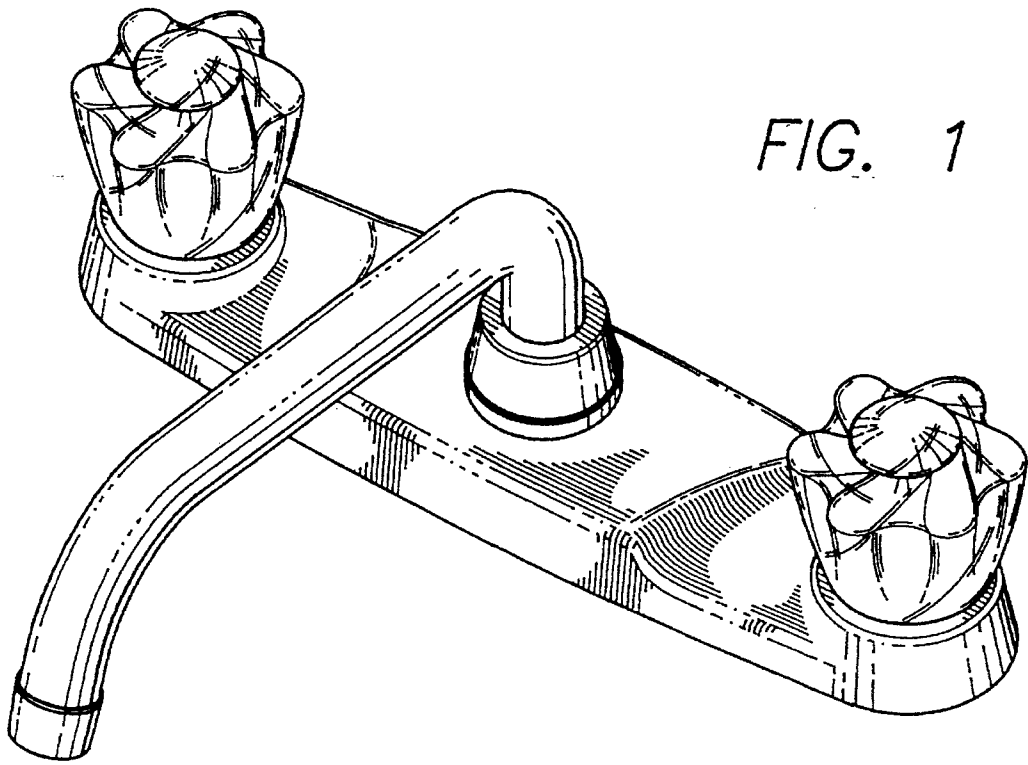


FIG. 3

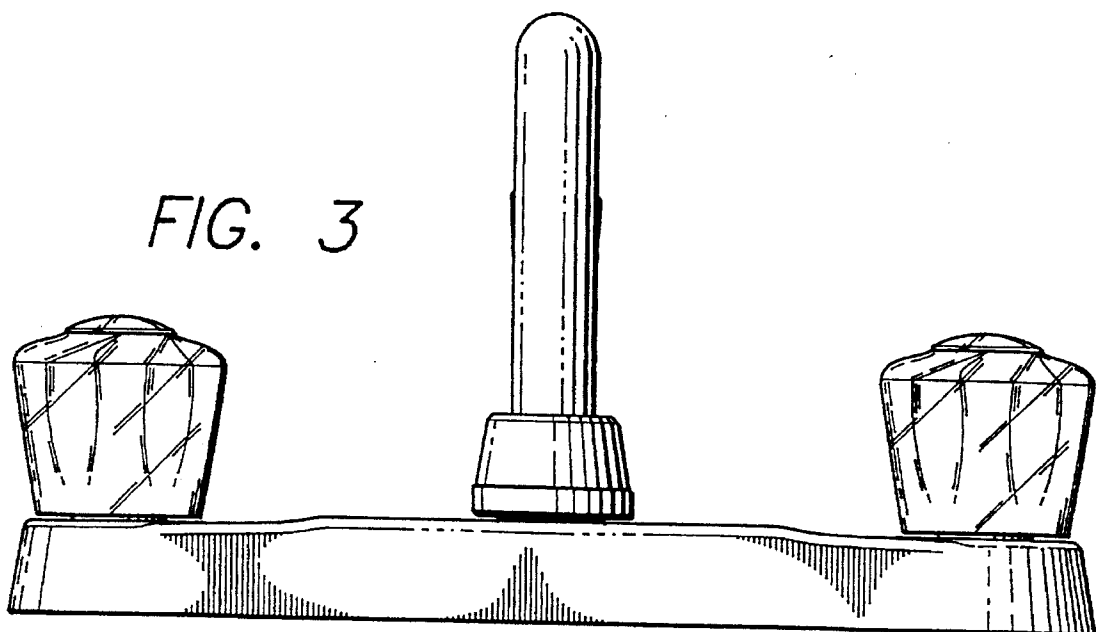
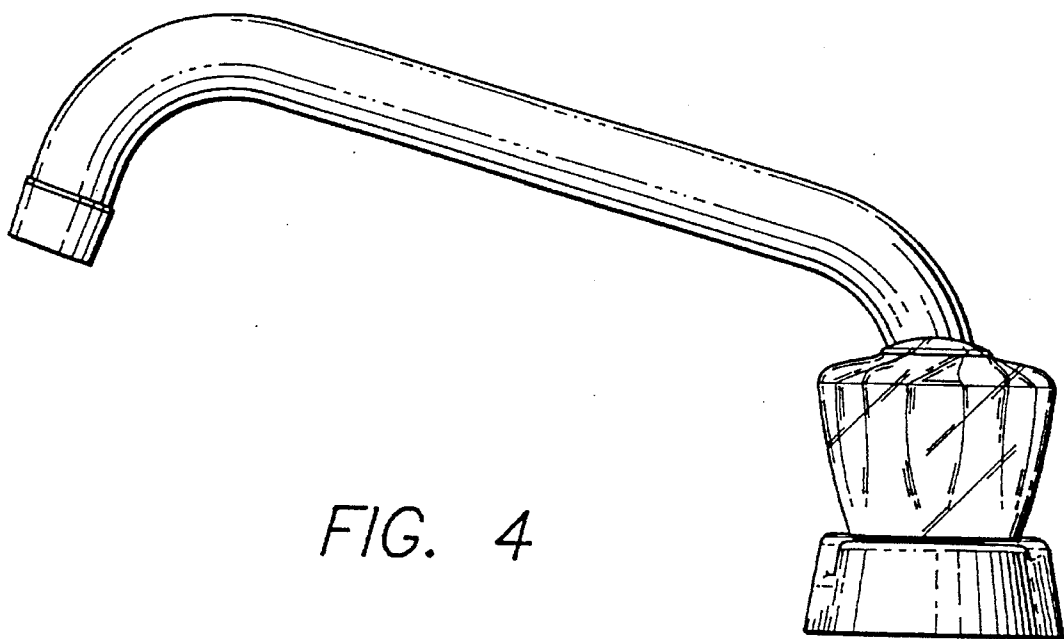


FIG. 4



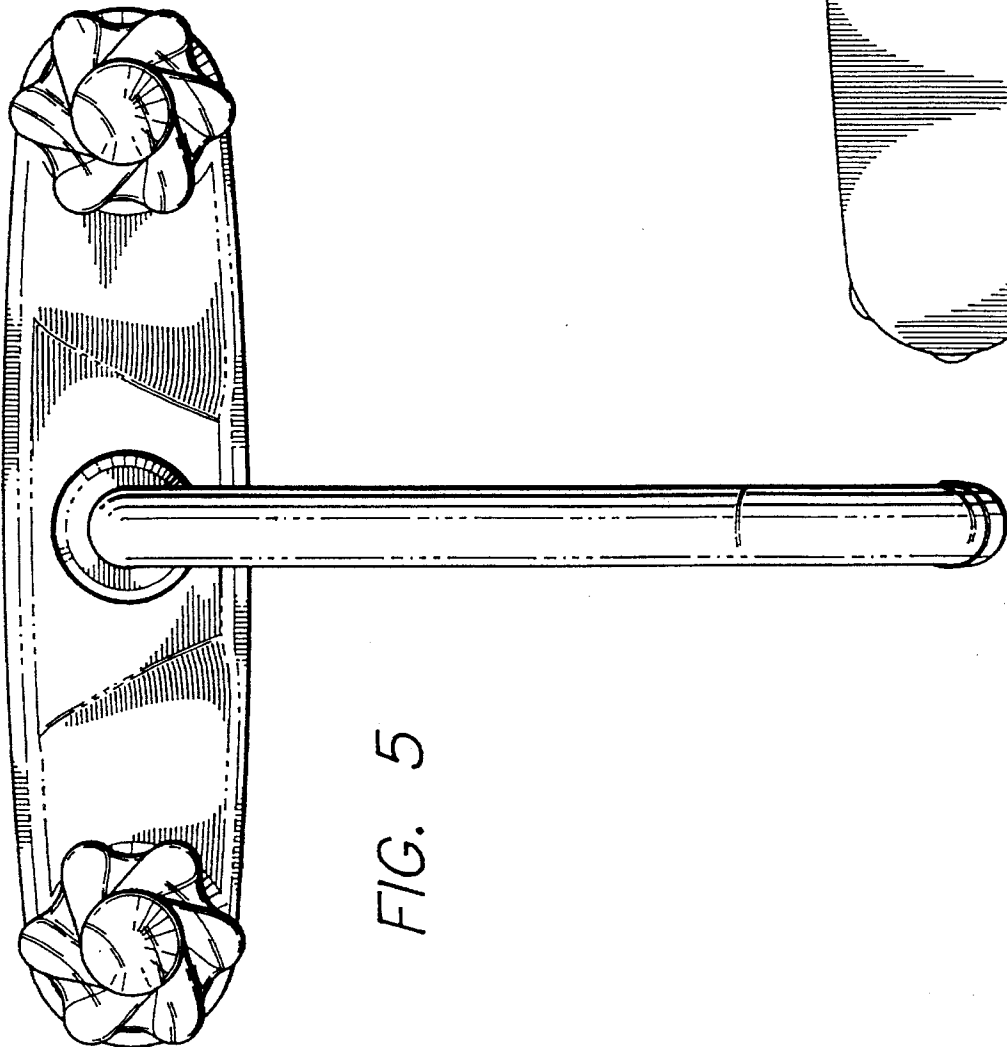


FIG. 5

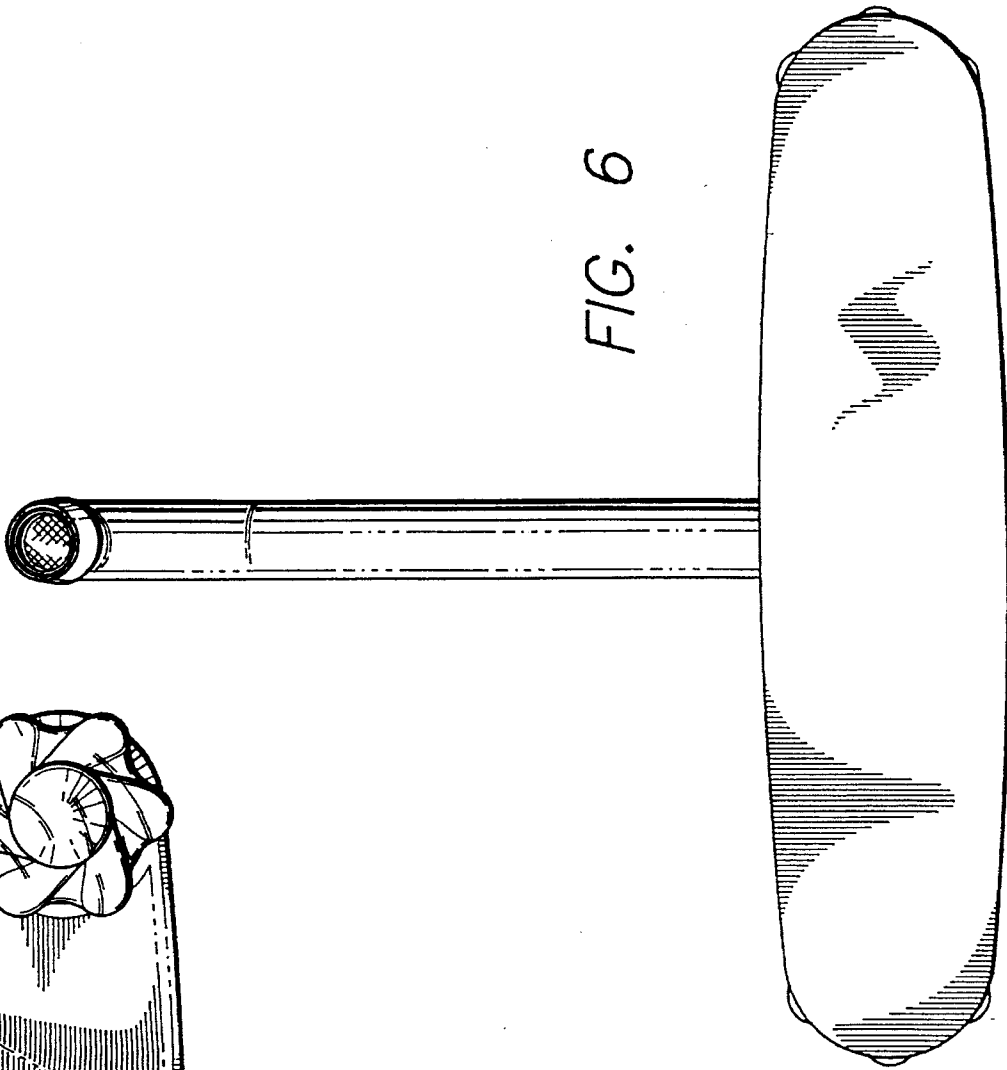


FIG. 6