



US00D344060S

United States Patent [19]

[11] Patent Number: **Des. 344,060**

Woodfin

[45] Date of Patent: **** Feb. 8, 1994**

[54] **SELF-RELEASE BUCKLE FOR A SAILBOARD HARNESS**

[76] Inventor: **James D. Woodfin**, 1650 Stewart La., Melbourne, Fla. 32935

[**] Term: **14 Years**

[21] Appl. No.: **870,720**

[22] Filed: **Apr. 20, 1992**

[52] U.S. Cl. **D12/317; D12/304; D21/236**

[58] Field of Search **114/39.2, 270; D12/317, D12/303; D21/236**

[56] **References Cited**

U.S. PATENT DOCUMENTS

4,934,297 6/1990 Long 114/39.2

FOREIGN PATENT DOCUMENTS

3604805 8/1987 Fed. Rep. of Germany 114/39.2
2543911 10/1984 France 114/39.2
2625171 6/1989 France 114/39.2

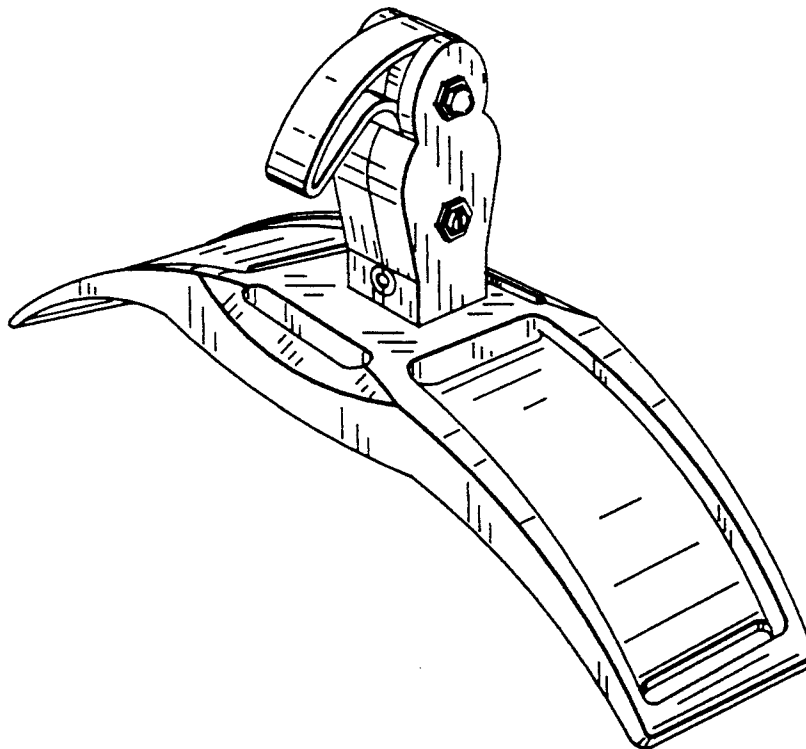
Primary Examiner—Kay H. Chin
Attorney, Agent, or Firm—Wands, Charles E.

[57] CLAIM

The ornamental design for a self-release buckle for a sailboard harness, as shown and described.

DESCRIPTION

FIG. 1 is a front perspective view of a self-release buckle for a sailboard harness;
FIG. 2 is a front view thereof;
FIG. 3 is a rear view thereof;
FIG. 4 is a left side view thereof;
FIG. 5 is a right side view thereof;
FIG. 6 is a bottom view thereof; and,
FIG. 7 is a top plan view thereof.



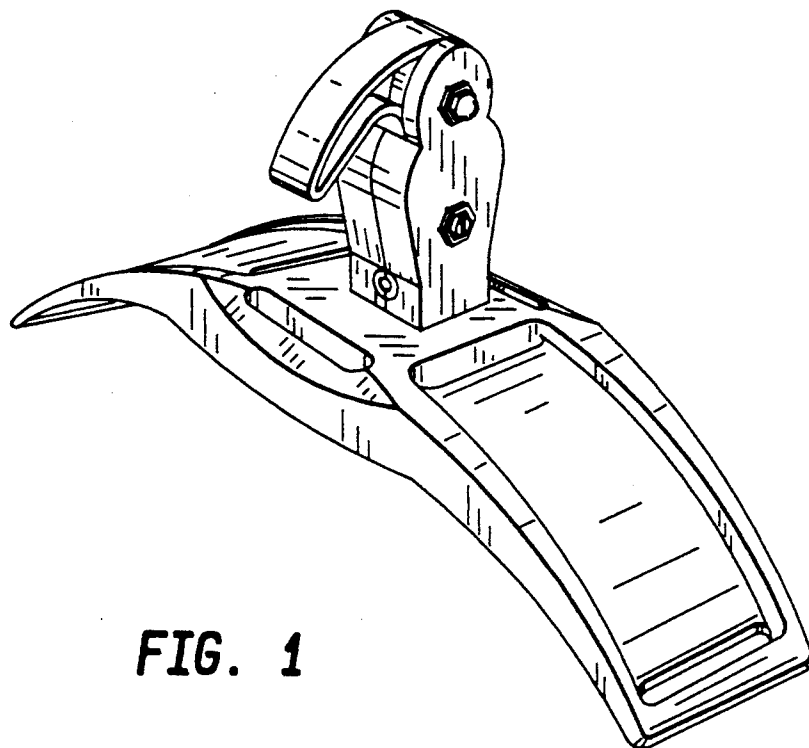


FIG. 1

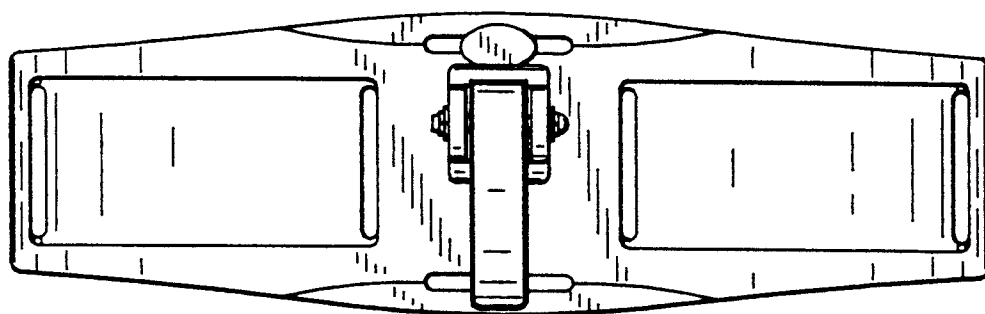


FIG. 2

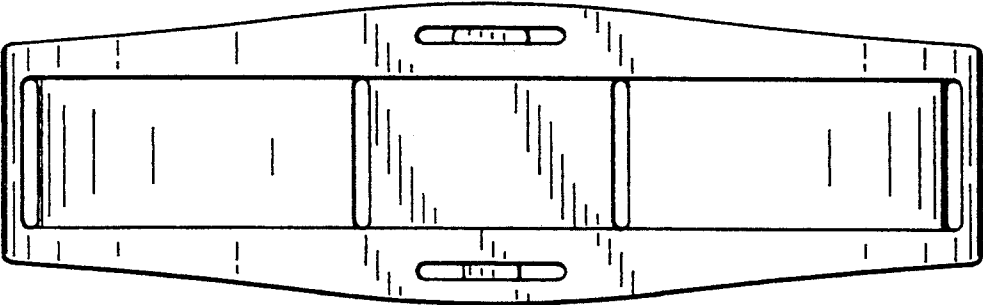


FIG. 3

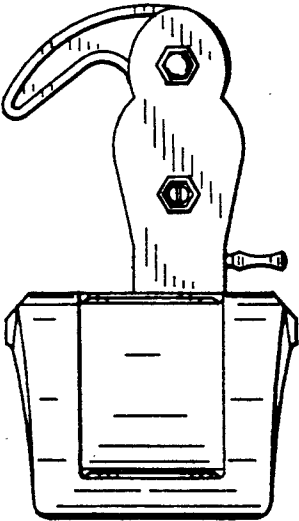


FIG. 4

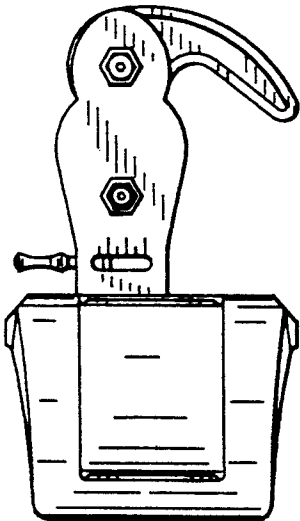


FIG. 5

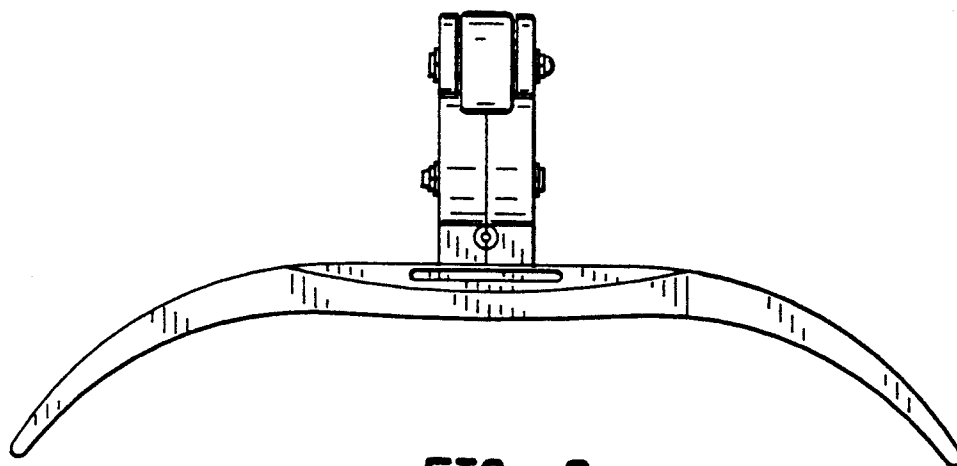


FIG. 6

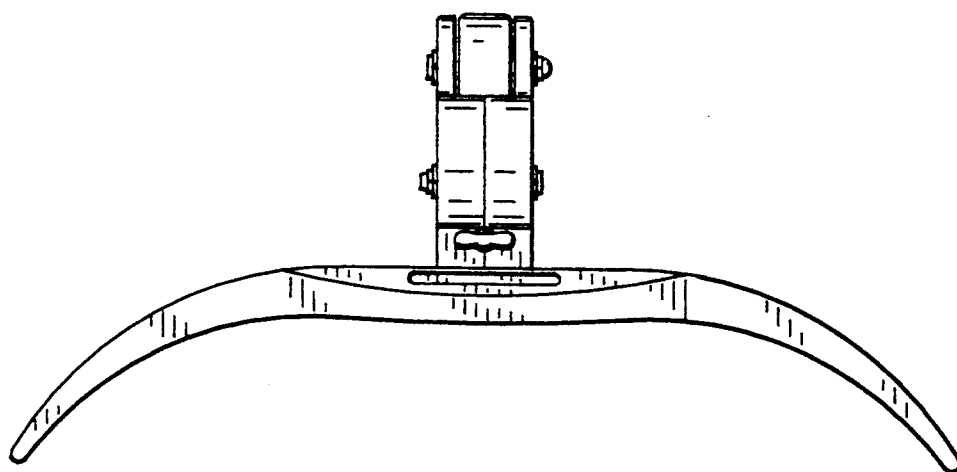


FIG. 7