



- (51) **International Patent Classification:**
B25F 5/00 (2006.01) *B23Q 17/24* (2006.01)
- (21) **International Application Number:**
PCT/US2012/043372
- (22) **International Filing Date:**
20 June 2012 (20.06.2012)
- (25) **Filing Language:** English
- (26) **Publication Language:** English
- (30) **Priority Data:**
61/498,851 20 June 2011 (20.06.2011) US
13/495,917 13 June 2012 (13.06.2012) US
- (72) **Inventor; and**
- (71) **Applicant : COBLE, Dan** [US/US]; Rr 1 Box 685, Vanzant, MO 65768 (US).
- (74) **Agents: DAMMAN, Kirk A.** et al; Lewis, Rice & Finger-sh, L.C., 600 Washington Avenue, Suite 2500, Box Ip Department, St. Louis, MO 63101 (US).
- (81) **Designated States** (*unless otherwise indicated, for every kind of national protection available*): AE, AG, AL, AM, AO, AT, AU, AZ, BA, BB, BG, BH, BR, BW, BY, BZ,

CA, CH, CL, CN, CO, CR, CU, CZ, DE, DK, DM, DO, DZ, EC, EE, EG, ES, FI, GB, GD, GE, GH, GM, GT, HN, HR, HU, ID, IL, IN, IS, JP, KE, KG, KM, KN, KP, KR, KZ, LA, LC, LK, LR, LS, LT, LU, LY, MA, MD, ME, MG, MK, MN, MW, MX, MY, MZ, NA, NG, NI, NO, NZ, OM, PE, PG, PH, PL, PT, QA, RO, RS, RU, RW, SC, SD, SE, SG, SK, SL, SM, ST, SV, SY, TH, TJ, TM, TN, TR, TT, TZ, UA, UG, US, UZ, VC, VN, ZA, ZM, ZW.

- (84) **Designated States** (*unless otherwise indicated, for every kind of regional protection available*): ARIPO (BW, GH, GM, KE, LR, LS, MW, MZ, NA, RW, SD, SL, SZ, TZ, UG, ZM, ZW), Eurasian (AM, AZ, BY, KG, KZ, RU, TJ, TM), European (AL, AT, BE, BG, CH, CY, CZ, DE, DK, EE, ES, FI, FR, GB, GR, HR, HU, IE, IS, IT, LT, LU, LV, MC, MK, MT, NL, NO, PL, PT, RO, RS, SE, SI, SK, SM, TR), OAPI (BF, BJ, CF, CG, CI, CM, GA, GN, GQ, GW, ML, MR, NE, SN, TD, TG).

Published:

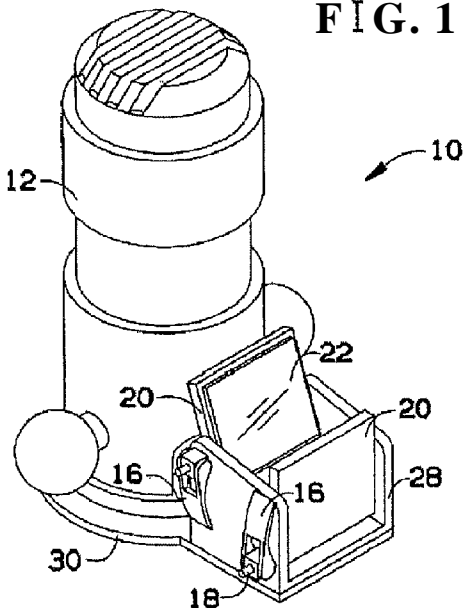
— with international search report (Art. 21(3))

- (88) **Date of publication of the international search report:**
20 June 2013

(54) **Title:** OPTICAL AID FOR POWER TOOLS

(57) **Abstract:** An optical aid that improves the precision of cuts made by power tools by using reflecting surfaces to project an image of the cutting surface to the operator.

FIG. 1



WO 2012/177780 A3

A. CLASSIFICATION OF SUBJECT MATTER***B25F 5/00(2006.01)i, B23Q 17/24(2006.01)I***

According to International Patent Classification (IPC) or to both national classification and IPC

B. FIELDS SEARCHED

Minimum documentation searched (classification system followed by classification symbols)

B25F 5/00; H04N 5/225; B21D 28/26; B23Q 17/24; B23D 47/00

Documentation searched other than minimum documentation to the extent that such documents are included in the fields searched

Korean utility models and applications for utility models

Japanese utility models and applications for utility models

Electronic data base consulted during the international search (name of data base and, where practicable, search terms used)

eKOMPASS(KIPO internal) & keywords: optical, aid, power tool, mirror and lens

C. DOCUMENTS CONSIDERED TO BE RELEVANT

Category *	Citation of document, with indication, where appropriate, of the relevant passages	Relevant to claim No.
X	JP 10-202475 A (YAMAHA CORP.) 4 August 1998 See abstract and figures 1-4 .	1-10
A	JP 2008-260121 A (TECHTRONIC IND CO., LTD.) 30 October 2008 See abstract and figures 1-12 .	1-10
A	JP 2626798 B2 (LOSSEV TECHNOLOGY CORP.) 18 April 1997 See abstract and figure 1.	1-10
A	EP 1207009 A2 (MAKITA CORPORATION) 22 May 2002 See abstract , claim 1 and figure 1.	1-10
A	JP 11-114781 A (AGENCY OF IND SCIENCE & TECHNOLOGY) 27 April 1999 See abstract and figure 1	1-10

 Further documents are listed in the continuation of Box C. See patent family annex.

* Special categories of cited documents:

"A" document defining the general state of the art which is not considered to be of particular relevance

"E" earlier application or patent but published on or after the international filing date

"L" document which may throw doubts on priority claim(s) or which is cited to establish the publication date of citation or other special reason (as specified)

"O" document referring to an oral disclosure, use, exhibition or other means

"P" document published prior to the international filing date but later than the priority date claimed

"T" later document published after the international filing date or priority date and not in conflict with the application but cited to understand the principle or theory underlying the invention

"X" document of particular relevance; the claimed invention cannot be considered novel or cannot be considered to involve an inventive step when the document is taken alone

"Y" document of particular relevance; the claimed invention cannot be considered to involve an inventive step when the document is combined with one or more other such documents, such combination being obvious to a person skilled in the art

"&" document member of the same patent family

Date of the actual completion of the international search

15 FEBRUARY 2013 (15.02.2013)

Date of mailing of the international search report

18 FEBRUARY 2013 (18.02.2013)

Name and mailing address of the ISA/KR



Facsimile No. 82-42-472-7140

Authorized officer

AHN, Jae Yul

Telephone No. 82-42-481-8525



INTERNATIONAL SEARCH REPORT

Information on patent family members

International application No.

PCT/US2012/043372

Patent document cited in search report	Publication date	Patent family member(s)	Publication date
JP 10-202475 A	04 .08 .1998	None	
JP 2008-26012 1 A	30 .10 .2008	AU 2008-20 1376 A1 CN 10 1367177 A EP 1980363 A1 US 2008-0252726 A1	30 .10 .2008 18 .02 .2009 15 .10 .2008 16 .10 .2008
JP 2626798 B2	18 .04 .1997	JP 02-036053 A	06 .02 .1990
EP 1207009 A2	22 .05 .2002	DE 601 19064 D1 DE 601 19064 T2 EP 1207009 A3 EP 1207009 B1 JP 2002- 154074 A US 2002-0057568 A1 US 66 16295 B2	01 .06 .2006 05 .10 .2006 05 .02 .2003 26 .04 .2006 28 .05 .2002 16 .05 .2002 09 .09 .2003
JP 11- 114781 A	27 .04 .1999	JP 3 106 184 B2	06 .11 .2000