

(19) World Intellectual Property
Organization
International Bureau



(43) International Publication Date
23 December 2004 (23.12.2004)

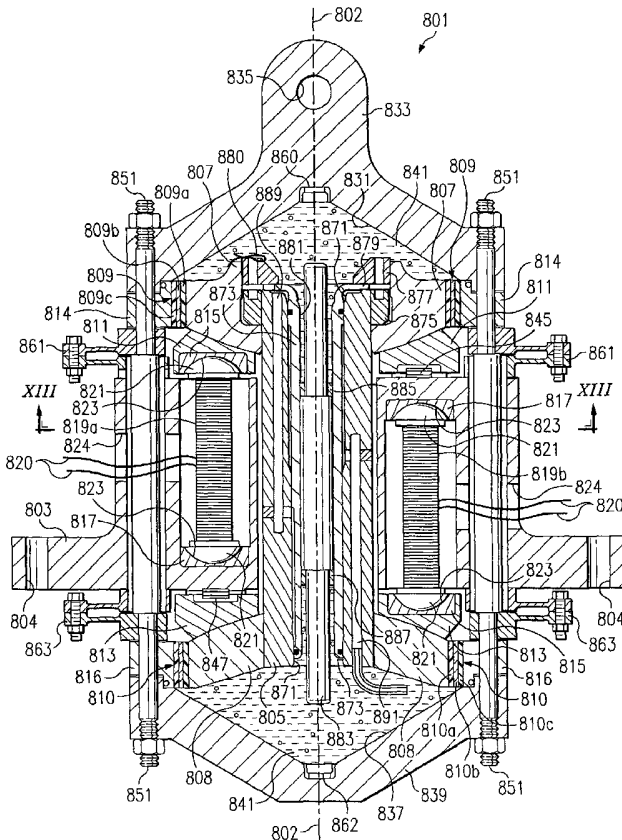
PCT

(10) International Publication Number
WO 2004/111489 A3

- (51) International Patent Classification⁷: **F16F 07/10**
- (21) International Application Number: PCT/US2003/030324
- (22) International Filing Date: 24 September 2003 (24.09.2003)
- (25) Filing Language: English
- (26) Publication Language: English
- (30) Priority Data:
 - 60/413,515 24 September 2002 (24.09.2002) US
 - 60/441,907 22 January 2003 (22.01.2003) US
- (63) Related by continuation (CON) or continuation-in-part (CIP) to earlier application:
 - US 09/965 (CIP)
 - Filed on 26 September 2001 (26.09.2001)
- (71) Applicant (for all designated States except US): **BELL HELICOPTER TEXTRON INC.** [US/US]; P.O. Box 482, Fort Worth, TX 76101 (US).
- (72) Inventors; and
- (75) Inventors/Applicants (for US only): **SMITH, Michael, R.** [US/US]; 1700 Tyler, Colleyville, TX 76034 (US). **STAMPS, Frank, B.** [US/US]; 4705 Mill Crossing West, Colleyville, TX 76034 (US). **LEE, Taeoh** [KR/US]; 503 Evelyn Court, Keller, TX 76248 (US). **HEVERLY, David, E., Jr.** [US/US]; 1404 Sierra Springs Drive, #610, Bedford, TX 76021 (US). **PASCAL, Robert, J.** [US/US]; 2714 Willing Avenue, Fort Worth, TX 76110 (US).
- (74) Agent: **WALTON, James, E.**; Law Offices of James E. Walton, P.L.L.C., Suite 107-328, 1169 North Burleson Boulevard, Burleson, TX 76028 (US).
- (81) Designated States (national): AE, AG, AL, AM, AT, AU, AZ, BA, BB, BG, BR, BY, BZ, CA, CH, CN, CO, CR, CU, CZ, DE, DK, DM, DZ, EC, EE, ES, FI, GB, GD, GE, GH,

[Continued on next page]

(54) Title: PIEZOELECTRIC LIQUID INERTIA VIBRATION ELIMINATOR



(57) Abstract: A tunable vibration isolator shown in figure 8 with active tuning elements having a housing, fluid chamber, and at least one tuning port. A piston is resiliently disposed within the housing. A vibration isolation fluid is disposed within the fluid chambers and the tuning ports. The tunable vibration isolator may employ either a solid tuning mass approach or a liquid tuning mass approach. The active vibration elements are preferably solid-state actuators.

WO 2004/111489 A3



GM, HR, HU, ID, IL, IN, IS, JP, KE, KG, KP, KR, KZ, LC, LK, LR, LS, LT, LU, LV, MA, MD, MG, MK, MN, MW, MX, MZ, NI, NO, NZ, OM, PG, PH, PL, PT, RO, RU, SC, SD, SE, SG, SK, SL, SY, TJ, TM, TN, TR, TT, TZ, UA, UG, US, UZ, VC, VN, YU, ZA, ZM, ZW.

SE, SI, SK, TR), OAPI patent (BF, BJ, CF, CG, CI, CM, GA, GN, GQ, GW, ML, MR, NE, SN, TD, TG).

Published:

— with international search report

(84) Designated States (regional): ARIPO patent (GH, GM, KE, LS, MW, MZ, SD, SL, SZ, TZ, UG, ZM, ZW), Eurasian patent (AM, AZ, BY, KG, KZ, MD, RU, TJ, TM), European patent (AT, BE, BG, CH, CY, CZ, DE, DK, EE, ES, FI, FR, GB, GR, HU, IE, IT, LU, MC, NL, PT, RO,

(88) Date of publication of the international search report:

10 March 2005

For two-letter codes and other abbreviations, refer to the "Guidance Notes on Codes and Abbreviations" appearing at the beginning of each regular issue of the PCT Gazette.

INTERNATIONAL SEARCH REPORT

International application No.

PCT/US03/30324

<p>A. CLASSIFICATION OF SUBJECT MATTER IPC(7) : F16F 07/10 US CL : 188/378 According to International Patent Classification (IPC) or to both national classification and IPC</p>		
<p>B. FIELDS SEARCHED</p>		
<p>Minimum documentation searched (classification system followed by classification symbols) U.S. : 188/378</p>		
<p>Documentation searched other than minimum documentation to the extent that such documents are included in the fields searched</p>		
<p>Electronic data base consulted during the international search (name of data base and, where practicable, search terms used)</p>		
<p>C. DOCUMENTS CONSIDERED TO BE RELEVANT</p>		
Category *	Citation of document, with indication, where appropriate, of the relevant passages	Relevant to claim No.
X --- Y	US 5,439,082 A (McKeown et al.) 8 August 1995 (08.08.1995)	1, 2, 5-8, 10, 11, 13-18, 21-25, 27, 28, 41 ----- 3, 9, 19, 20, 26, 29-31, 34-40, 42-44
Y	US 5,435,531 A (Smith et al.) 25 July 1995 (25.07.1995)	43,44
Y	US 5,458,222 A (Pla et al.) 17 October 1995 (17.10.1995)	9, 19, 20, 26, 29-31, 34, 37
Y	US 5,906,254 A (Schmidt et al.) 25 May 1999 (25.05.1999)	38-40, 42
Y	JP 06-144376 24 May 1994 (24.05.1994)	35-37
<p><input type="checkbox"/> Further documents are listed in the continuation of Box C. <input type="checkbox"/> See patent family annex.</p>		
<p>* Special categories of cited documents:</p>		
"A" document defining the general state of the art which is not considered to be of particular relevance	"T" later document published after the international filing date or priority date and not in conflict with the application but cited to understand the principle or theory underlying the invention	
"E" earlier application or patent published on or after the international filing date	"X" document of particular relevance; the claimed invention cannot be considered novel or cannot be considered to involve an inventive step when the document is taken alone	
"L" document which may throw doubts on priority claim(s) or which is cited to establish the publication date of another citation or other special reason (as specified)	"Y" document of particular relevance; the claimed invention cannot be considered to involve an inventive step when the document is combined with one or more other such documents, such combination being obvious to a person skilled in the art	
"O" document referring to an oral disclosure, use, exhibition or other means		
"P" document published prior to the international filing date but later than the priority date claimed	"&" document member of the same patent family	
Date of the actual completion of the international search 18 October 2004 (18.10.2004)	Date of mailing of the international search report 26 NOV 2004	
Name and mailing address of the ISA/US Mail Stop PCT, Attn: ISA/US Commissioner for Patents P.O. Box 1450 Alexandria, Virginia 22313-1450 Facsimile No. (703)305-3230	Authorized officer <i>Jack Lavinder</i> Jack Lavinder Telephone No. 703-308-1113	