



US00D782871S

(12) **United States Design Patent**
Funnell, II et al.

(10) **Patent No.:** **US D782,871 S**

(45) **Date of Patent:** **** Apr. 4, 2017**

(54) **RANGE AND/OR COMPONENTS THEREOF**

CPC F24C 15/2042; F24C 3/103
See application file for complete search history.

(71) Applicant: **BSH Home Appliances Corporation**,
Irvine, CA (US)

(56) **References Cited**

(72) Inventors: **Richard W. Funnell, II**, Corona del
Mar, CA (US); **Jonathan Grey**,
Huntersville, NC (US); **Graham**
Sadtler, Huntington Beach, CA (US)

U.S. PATENT DOCUMENTS

D524,094 S *	7/2006	Home	D7/340
D592,007 S *	5/2009	Corona	D7/340
D615,800 S *	5/2010	Grey	D7/340
D655,128 S *	3/2012	Kim	D7/340

(73) Assignee: **BSH Home Appliances Corporation**,
Irvine, CA (US)

* cited by examiner

(**) Term: **15 Years**

Primary Examiner — Catheri Oliver-Garcia
(74) *Attorney, Agent, or Firm* — Michael E. Tschupp;
Andre Pallapies

(21) Appl. No.: **29/547,486**

(22) Filed: **Dec. 4, 2015**

(57) **CLAIM**

The ornamental design for a range and/or components thereof, as shown and described.

Related U.S. Application Data

DESCRIPTION

(62) Division of application No. 29/506,163, filed on Oct. 14, 2014, now Pat. No. Des. 750,432, which is a division of application No. 29/471,872, filed on Nov. 6, 2013, now Pat. No. Des. 721,917, which is a division of application No. 29/450,597, filed on Mar. 20, 2013, now Pat. No. Des. 699,503, which is a division of application No. 29/426,705, filed on Jul. 10, 2012, now Pat. No. Des. 682,603, which is a division of application No. 29/398,034, filed on Jul. 26, 2011, now Pat. No. Des. 669,728.

FIG. 1 is a front perspective view of a door pair for a range according to our new ornamental design;
FIG. 2 is a front view thereof;
FIG. 3 is a top view thereof;
FIG. 4 is a bottom view thereof;
FIG. 5 is a right side view thereof; and,
FIG. 6 is a left side view thereof.

(51) **LOC (10) Cl.** **07-02**

The broken lines represent environment or structure of the kitchen appliance and do not form any part of the claimed design.

(52) **U.S. Cl.**

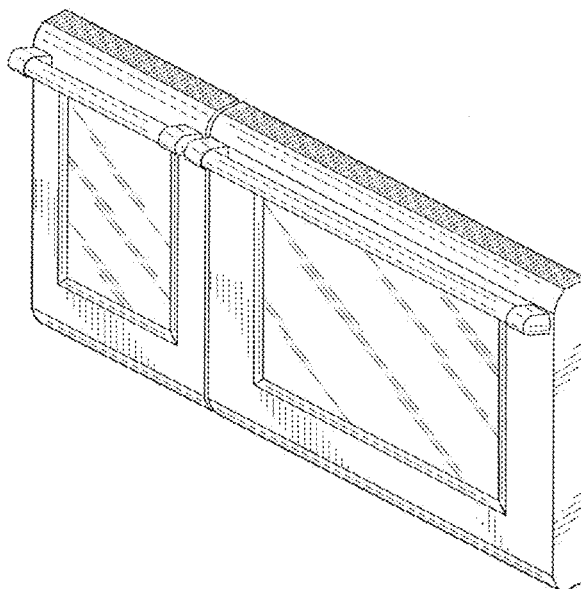
USPC **D7/405**

Throughout the drawings, various views may not be provided, as the components in these views are unornamented or the ornamentation in these views is simply unclaimed.

(58) **Field of Classification Search**

USPC D7/339-341, 346-349, 402, 406-408;
126/39 R, 39 F, 39 C, 39 B, 211, 214 R;
219/391-392

1 Claim, 3 Drawing Sheets



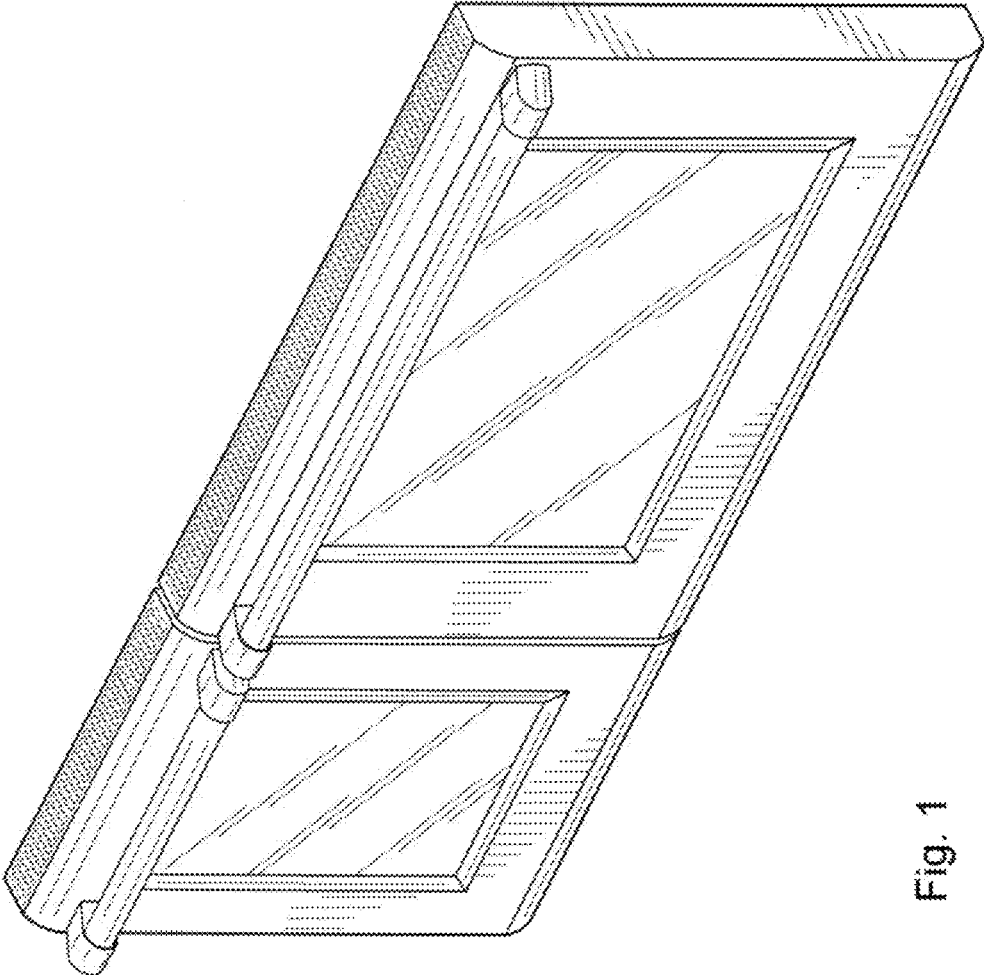


Fig. 1

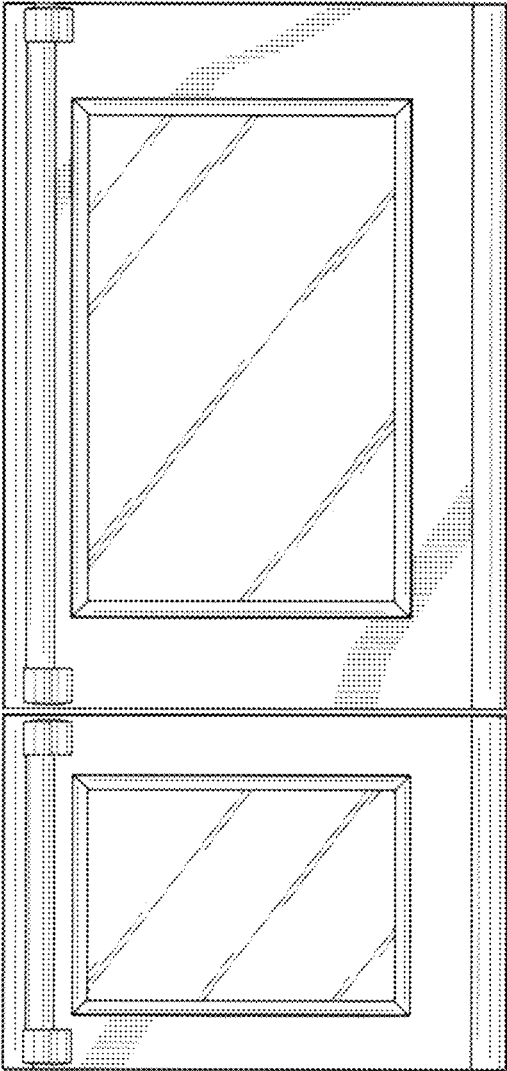


Fig. 2

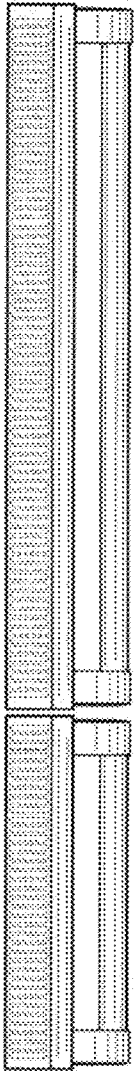


Fig. 3

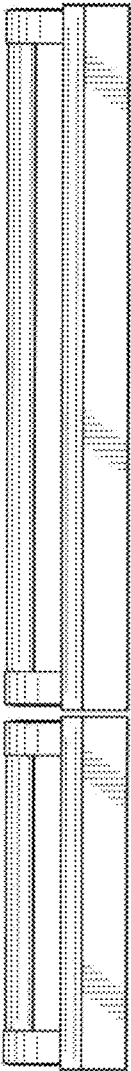


Fig. 4

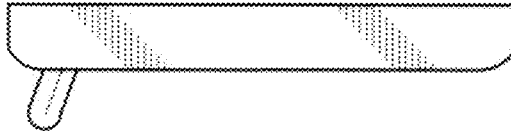


Fig. 5

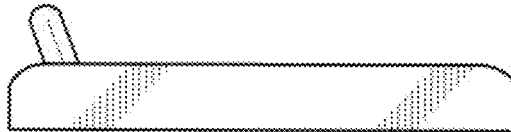


Fig. 6