



US00D788010S

(12) **United States Design Patent**
Koenigs

(10) **Patent No.:** **US D788,010 S**

(45) **Date of Patent:** **** May 30, 2017**

- (54) **VEHICLE WHEEL**
- (71) Applicant: **Bayerische Motoren Werke Aktiengesellschaft, Munich (DE)**
- (72) Inventor: **Daniel Koenigs, Munich (DE)**
- (73) Assignee: **Bayerische Motoren Werke Aktiengesellschaft, Munich (DE)**
- (**) Term: **15 Years**

D275,193 S *	8/1984	Schinella	D12/211
D327,049 S	6/1992	Boyer	
D459,688 S *	7/2002	Wiesinger	D12/211
D497,861 S *	11/2004	Brintouch	D12/209
D577,650 S *	9/2008	Chung	D12/211
D630,146 S *	1/2011	Finnie	D12/211
D667,771 S	9/2012	Clottu	

(21) Appl. No.: **29/565,558**

(22) Filed: **May 23, 2016**

(30) **Foreign Application Priority Data**

Nov. 24, 2015 (DE) 40 2015 101 251

(51) **LOC (10) Cl.** **12-16**

(52) **U.S. Cl.**
USPC **D12/211**

(58) **Field of Classification Search**

USPC D12/204-213
 CPC B60B 7/00; B60B 7/02; B60B 7/04; B60B 7/01; B60B 7/06; B60B 3/02; B60B 3/04; B60B 3/06; B60B 3/10; B60B 1/00; B60B 1/08; B60B 1/10; B60B 1/12

See application file for complete search history.

(56) **References Cited**

U.S. PATENT DOCUMENTS

D258,504 S *	3/1981	Schinella	D12/211
D258,732 S *	3/1981	Schinella	D12/211

FOREIGN PATENT DOCUMENTS

DE	M8905980.8	4/1990
EM	001772922-0001	8/2012
EM	002016113-0002	9/2013

* cited by examiner

Primary Examiner — Stacia Cadmus

(74) *Attorney, Agent, or Firm* — Crowell & Moring LLP

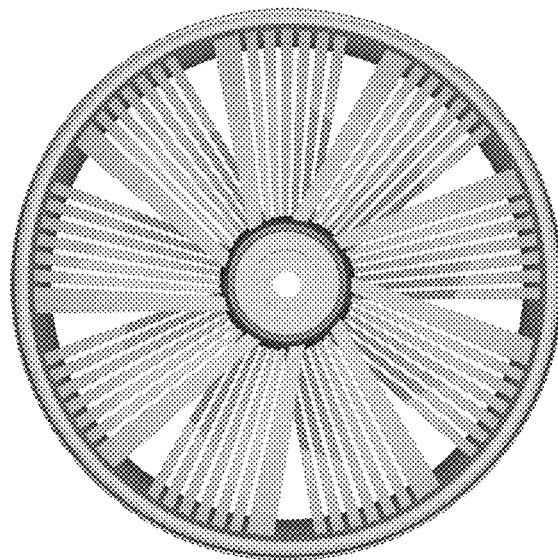
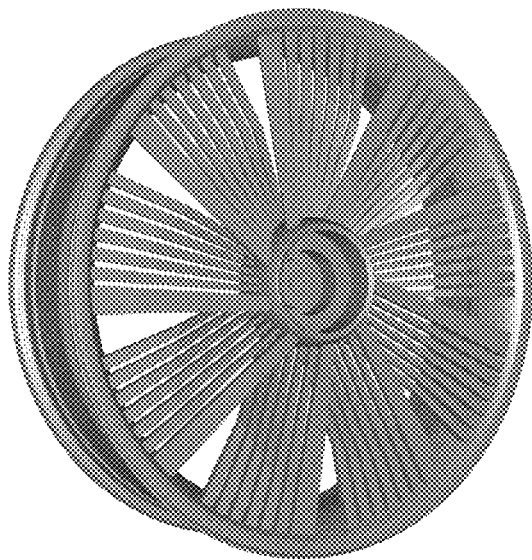
(57) **CLAIM**

The ornamental design for a vehicle wheel, as shown and described.

DESCRIPTION

FIG. 1 is a perspective view of a vehicle wheel according to the design;
 FIG. 2 is an additional perspective view thereof;
 FIG. 3 is an additional perspective view thereof;
 FIG. 4 is a front view thereof;
 FIG. 5 is a rear view thereof in a lighter gray scale, representing environmental features that form no part of the claimed design; and,
 FIG. 6 is a side view thereof.

1 Claim, 6 Drawing Sheets



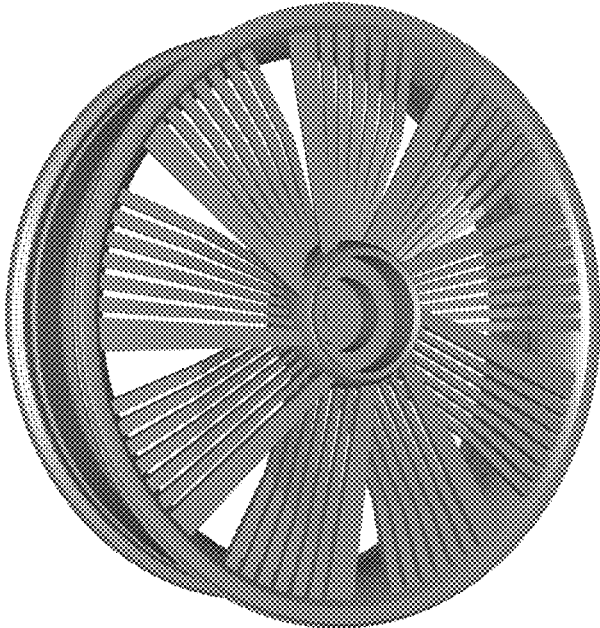


Fig. 1

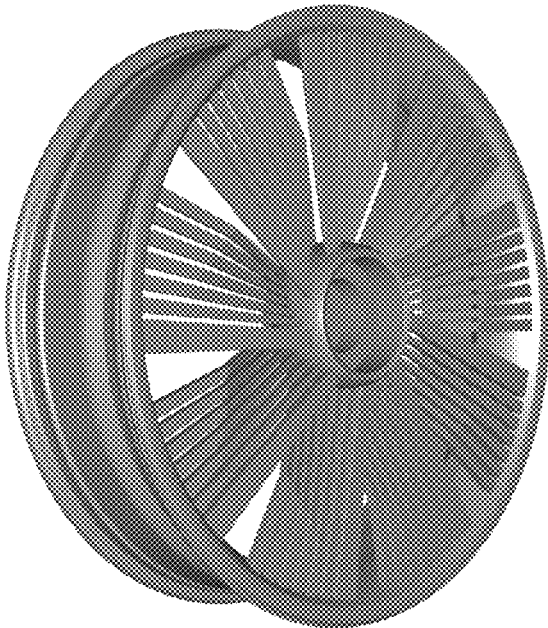


Fig. 2

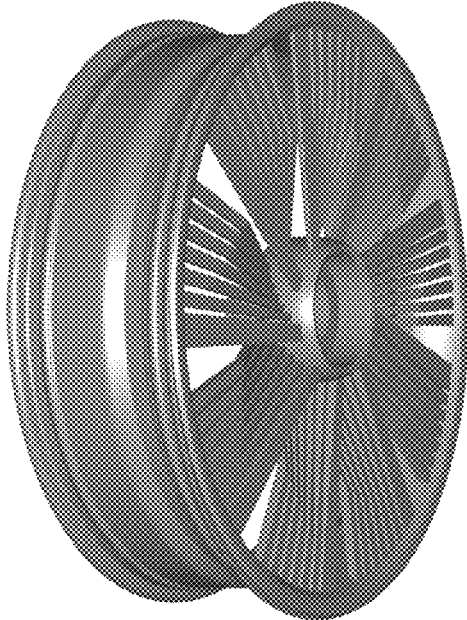


Fig. 3

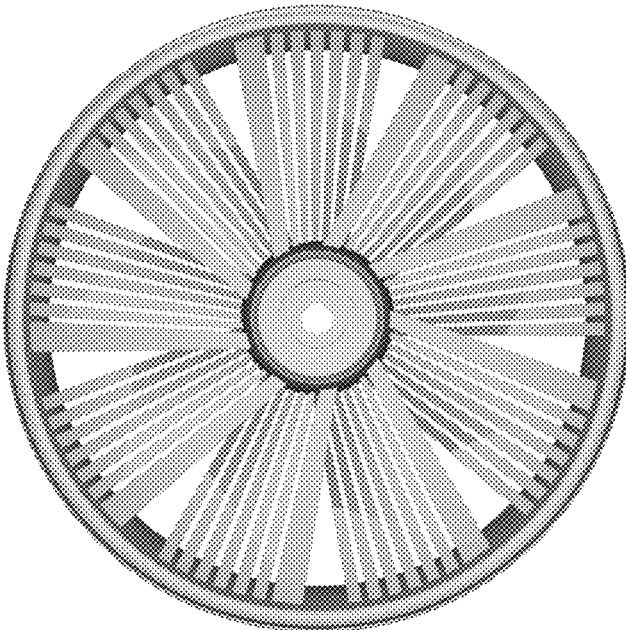


Fig. 4

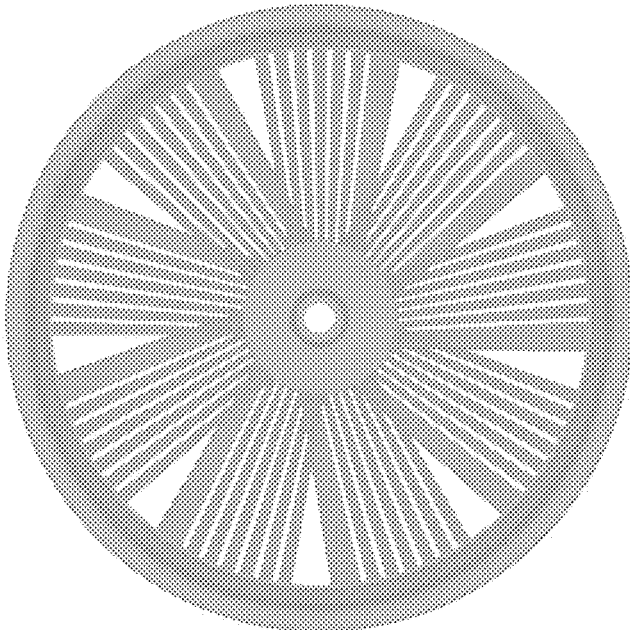


Fig. 5

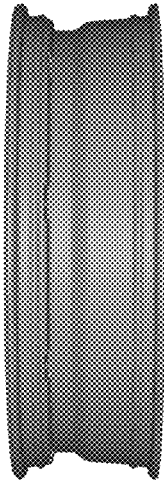


Fig. 6