



US0D1047465S

(12) **United States Design Patent**
Hu

(10) **Patent No.:** **US D1,047,465 S**

(45) **Date of Patent:** **** Oct. 22, 2024**

(54) **THREE-SIDED MIRROR**

(71) Applicant: **Ping Hu**, Shenzhen (CN)

(72) Inventor: **Ping Hu**, Shenzhen (CN)

(73) Assignee: **Ping Hu**, Shenzhen (CN)

(**) Term: **15 Years**

(21) Appl. No.: **29/875,100**

(22) Filed: **Apr. 28, 2023**

(30) **Foreign Application Priority Data**

Apr. 11, 2023 (CN) 202330192006.3

(51) **LOC (14) Cl.** **06-07**

(52) **U.S. Cl.**

USPC **D6/300**

(58) **Field of Classification Search**

USPC D6/300, 308, 310, 312; D14/341;
D28/64.2, 64.3

CPC A45D 42/00; A45D 42/10; A45D 42/16;
A47G 1/04

See application file for complete search history.

(56) **References Cited**

U.S. PATENT DOCUMENTS

D292,652 S *	11/1987	Muller	D6/308
D330,807 S *	11/1992	Granzow	D6/301
D865,374 S *	11/2019	Yang	D6/310
D934,577 S *	11/2021	Liu	D6/301
D947,550 S *	4/2022	Li	D6/301
D962,657 S *	9/2022	Jing	D6/310
D964,047 S *	9/2022	Yang	D6/301
D964,752 S *	9/2022	Cai	D6/301
D964,753 S *	9/2022	Liu	D6/301
D970,227 S *	11/2022	Kaiser	D6/301
D976,011 S *	1/2023	Shen	D6/310
D998,979 S *	9/2023	Rajasekaran	D6/301

D1,014,100 S *	2/2024	Yang	D6/310
2019/0328113 A1 *	10/2019	Long	A45D 42/00
2020/0085170 A1 *	3/2020	Yang	G06F 3/0412

FOREIGN PATENT DOCUMENTS

CN	307779777	*	1/2023
CN	308154586	*	8/2023
GB	6150536	*	7/2021
GB	6193288	*	2/2022

(Continued)

OTHER PUBLICATIONS

Chamber: Trifold Hair Cutting Mirror Self Styling Mirror with Adjustable Height Hook Telescopic Hook Makeup Mirror Household Portable Hanging Three-Sided Folding <https://amzn.asia/d/cIzjMJ9>, Apr. 1, 2021 (Year: 2021).*

(Continued)

Primary Examiner — Bao-Yen T Nguyen

Assistant Examiner — Bethany Louise Mallino

(74) *Attorney, Agent, or Firm* — Nitin Kaushik

(57)

CLAIM

The ornamental design for a three-sided mirror, as shown and described.

DESCRIPTION

FIG. 1 is a front perspective view of a three-sided mirror, showing my new design;

FIG. 2 is a rear perspective view thereof;

FIG. 3 is a front view thereof;

FIG. 4 is a rear view thereof;

FIG. 5 is a left side view thereof;

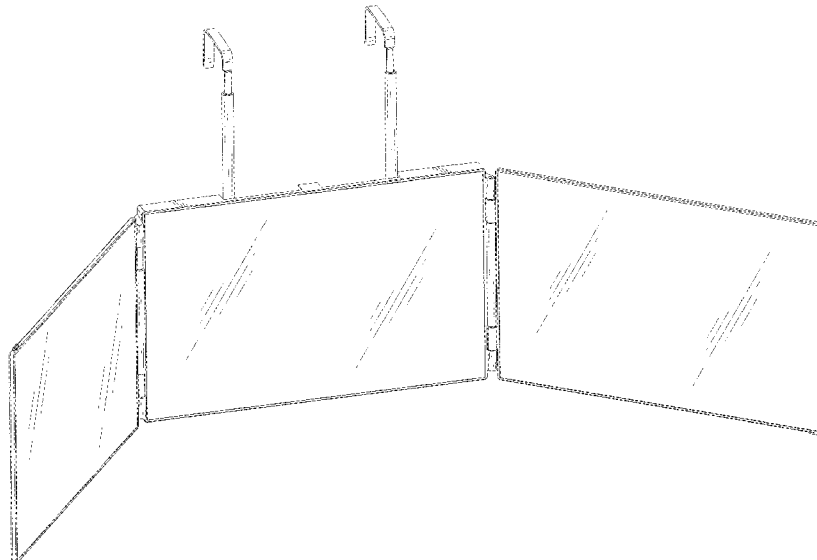
FIG. 6 is a right side view thereof;

FIG. 7 is a top view thereof;

FIG. 8 is a bottom view thereof; and,

FIG. 9 shows its folded state diagram.

1 Claim, 9 Drawing Sheets



(56)

References Cited

FOREIGN PATENT DOCUMENTS

GB 6207629 * 5/2022

OTHER PUBLICATIONS

LMZNXCZ: 3 Way Mirror for Self Hair Cutting,360 Haircuts Mirror Men for Barber Use Tools, to See Back of Head, Tri Fold Mirror with Portable Height Adjustable Telescoping Hooks(Without LED) <https://amzn.asia/d/aT6W7e6>, Sep. 8, 2021 (Year: 2021).*

Olibuy: 3 Way Mirror with LED for Hair Cutting, Tri-fold Mirror for Shaver and Makeup, Adjustable Telescoping Hooks-with LED Version <https://amzn.asia/d/7gtlEt3>, Dec. 21, 2021 (Year: 2021).*

* cited by examiner

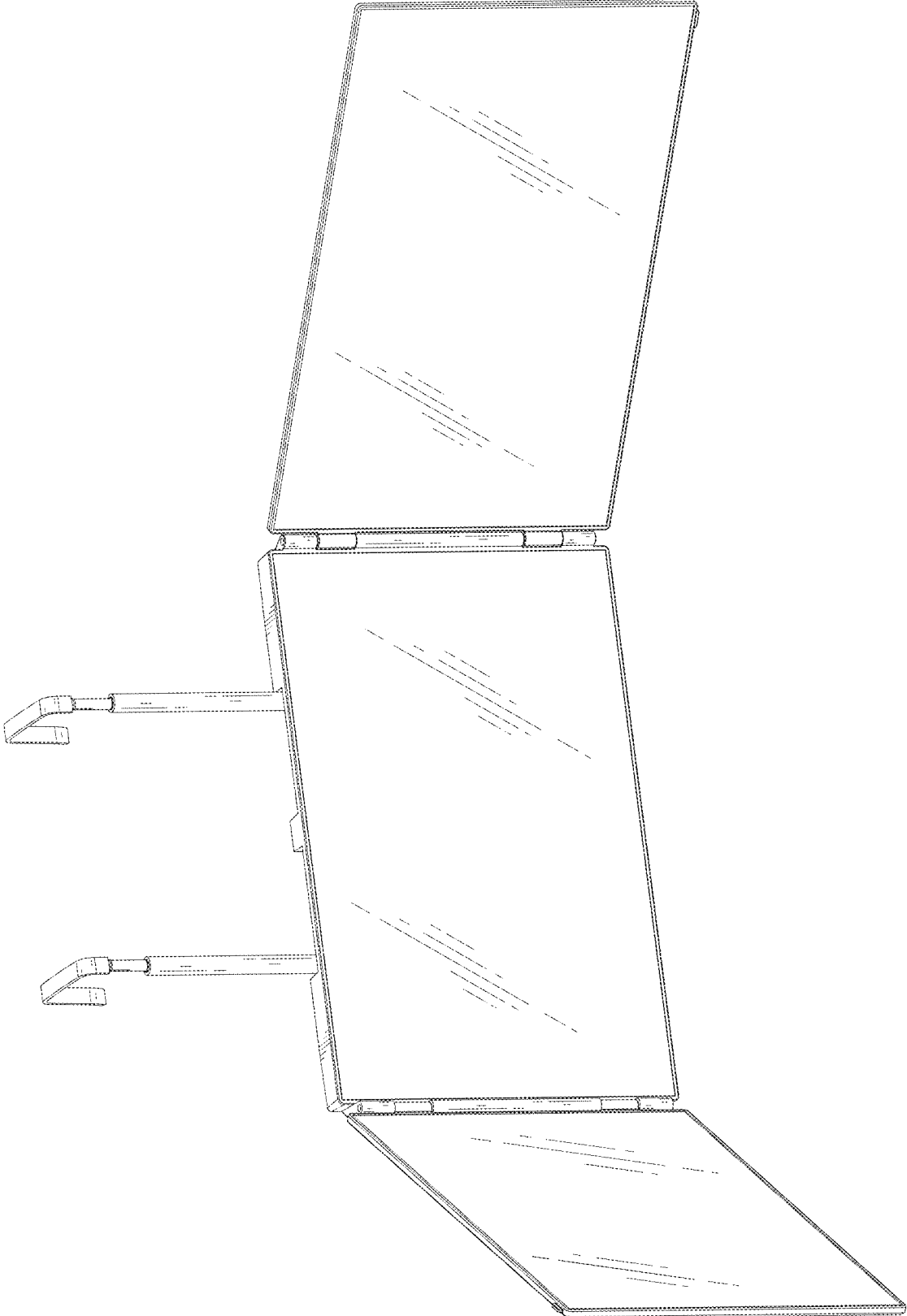


FIG. 1

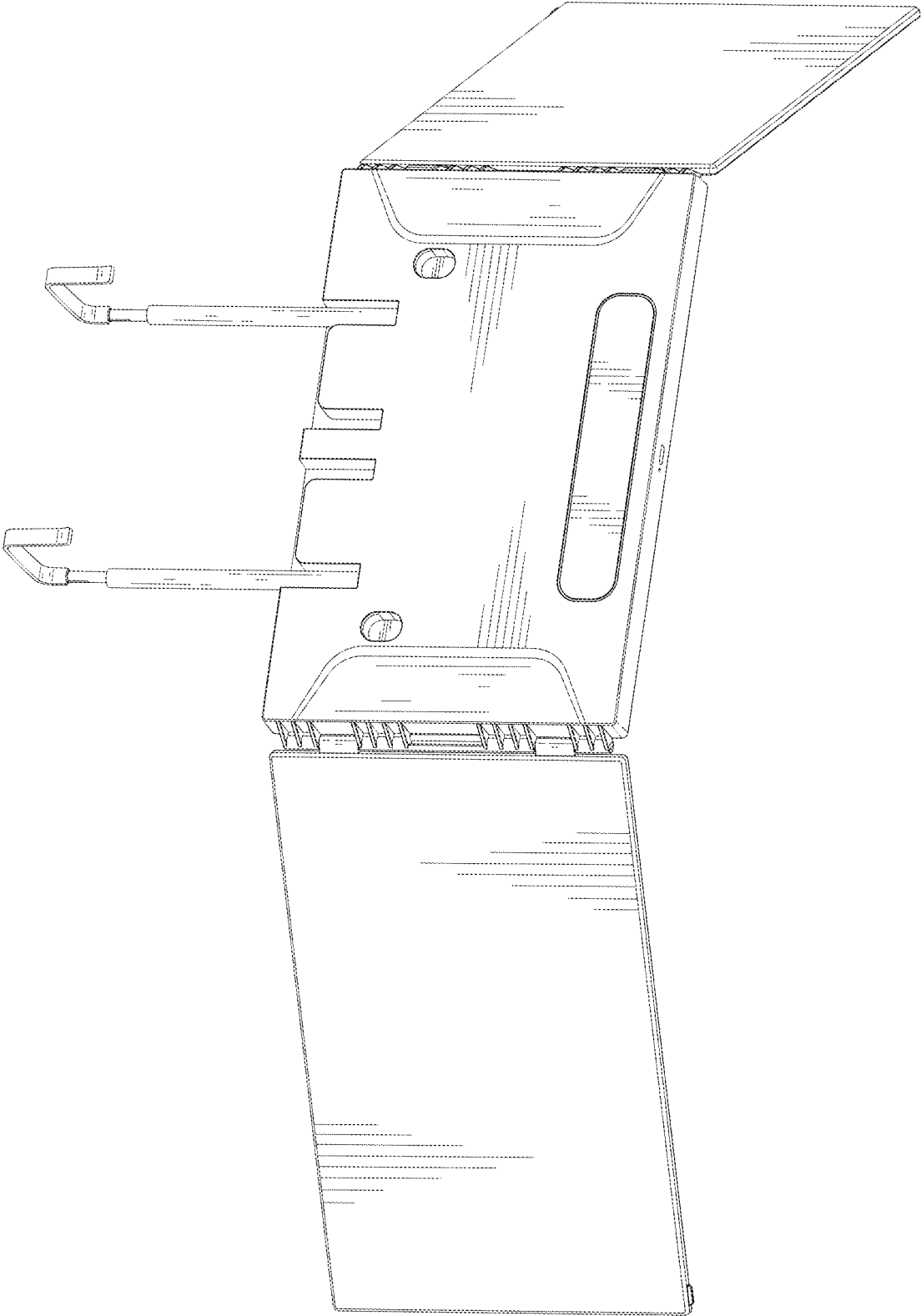


FIG. 2

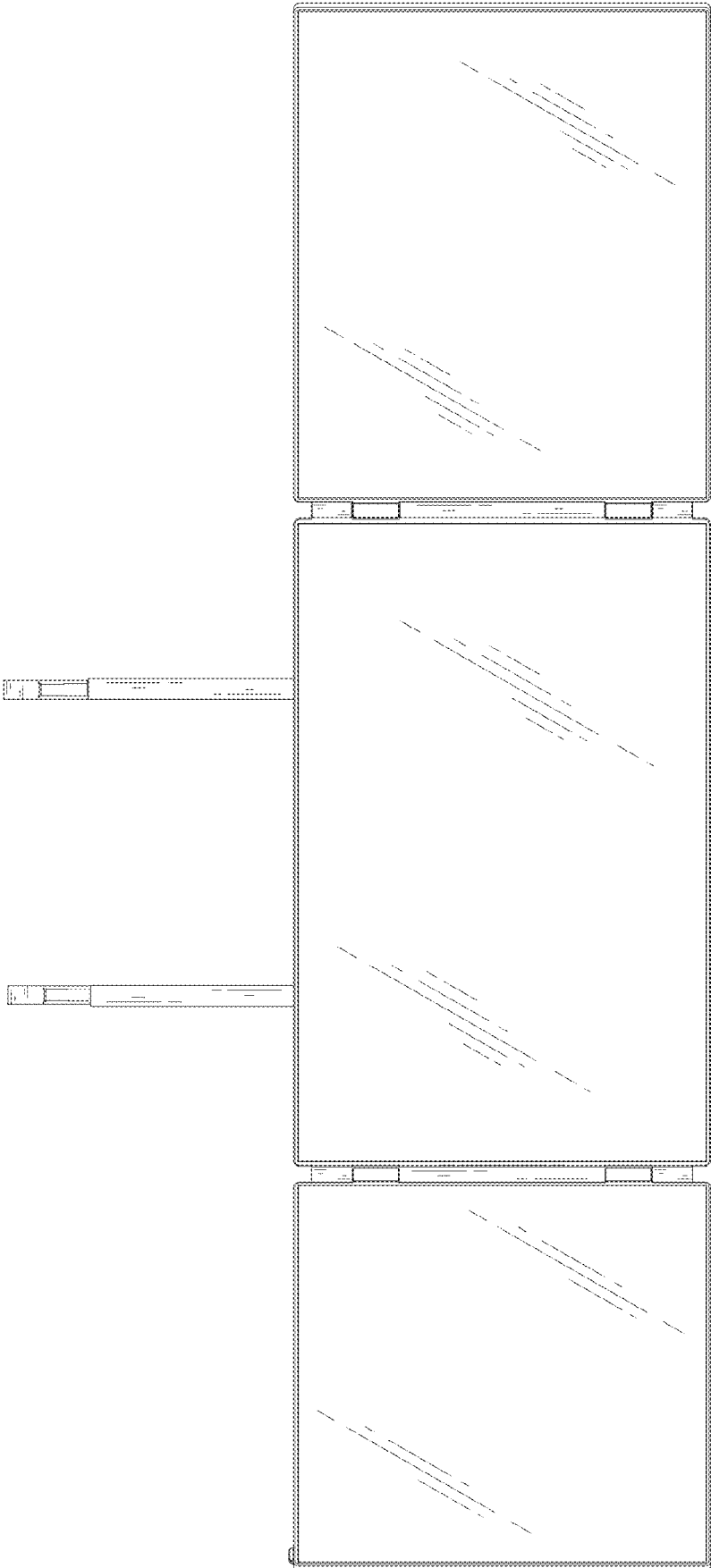


FIG. 3

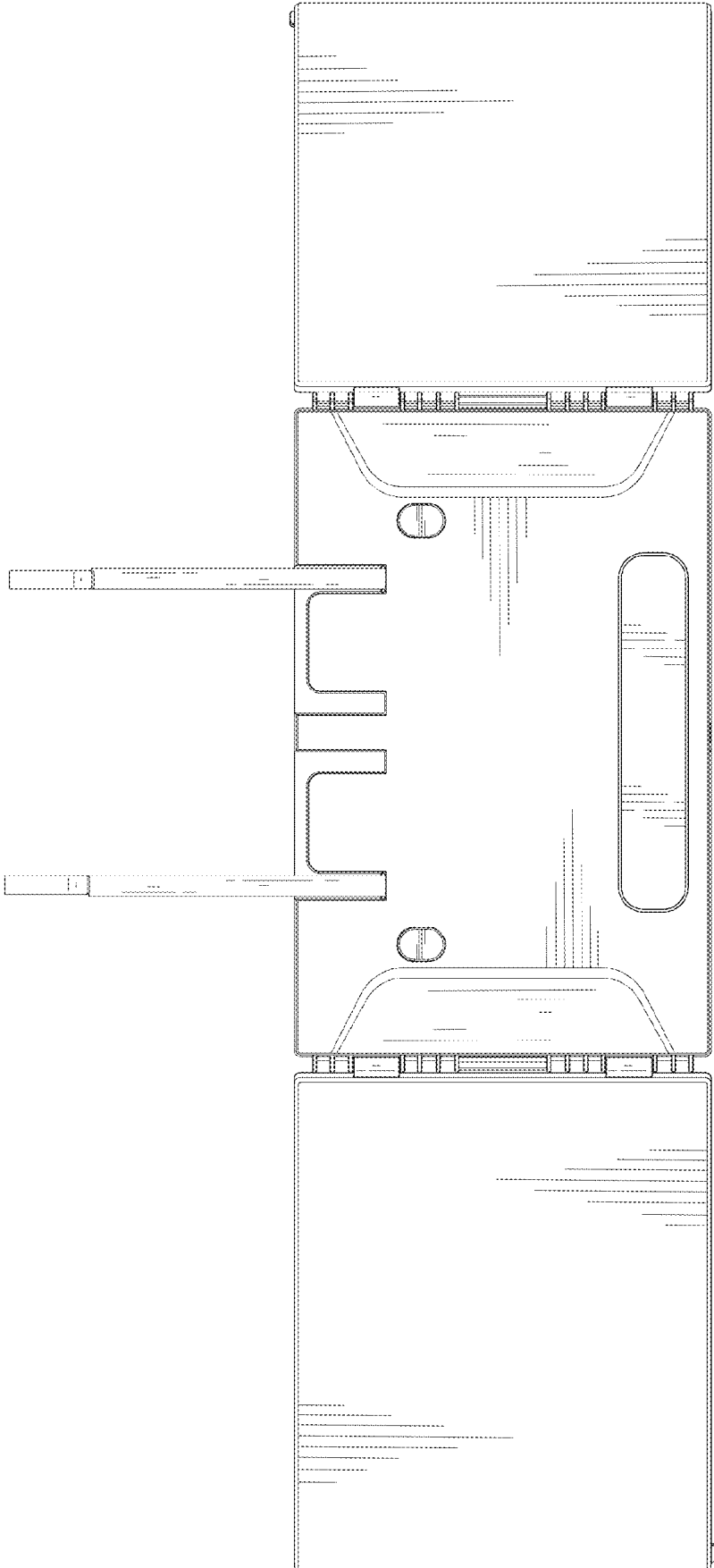


FIG. 4

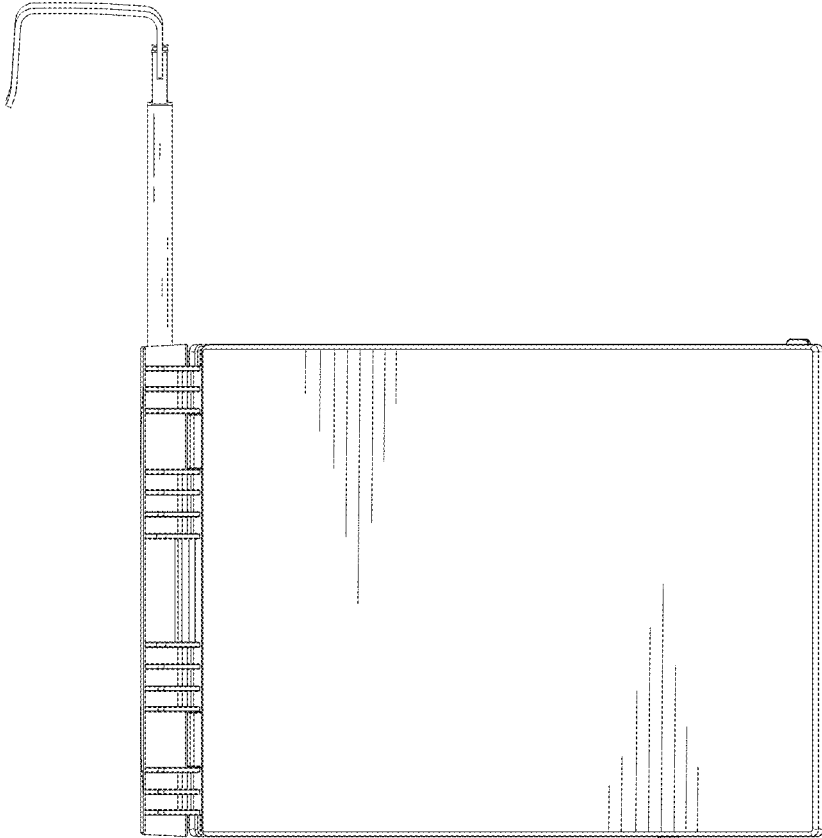


FIG. 5

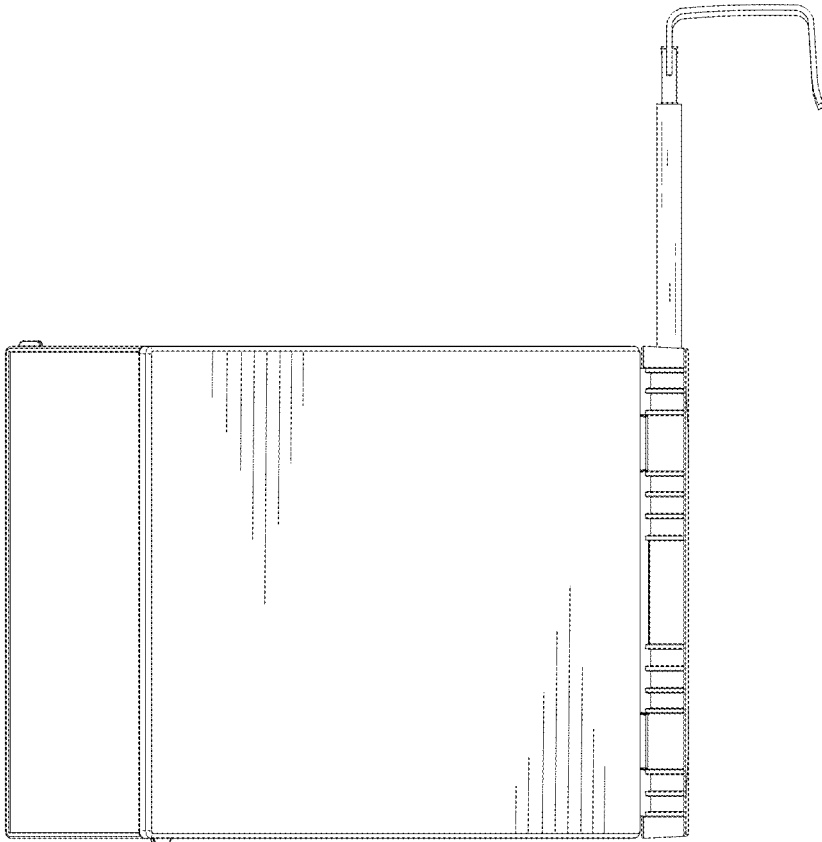


FIG. 6

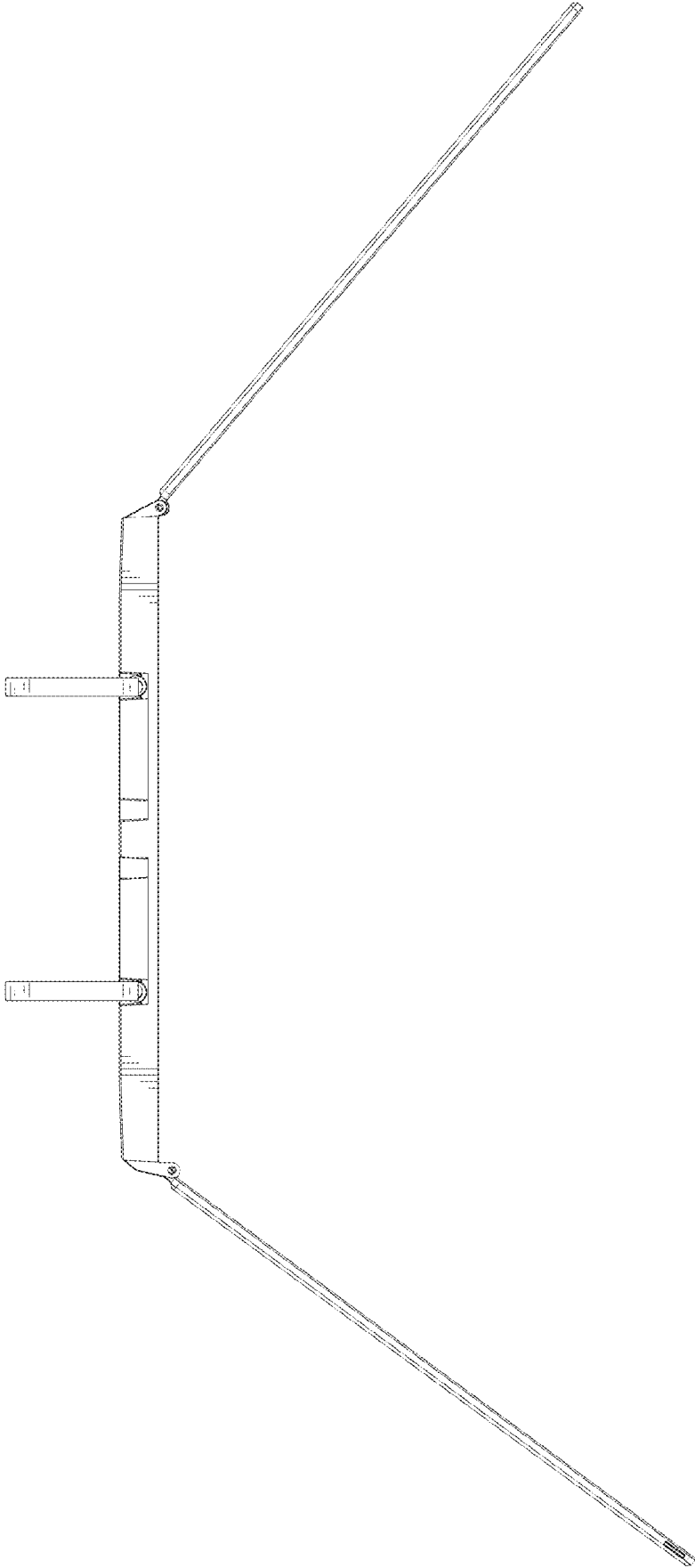


FIG. 7

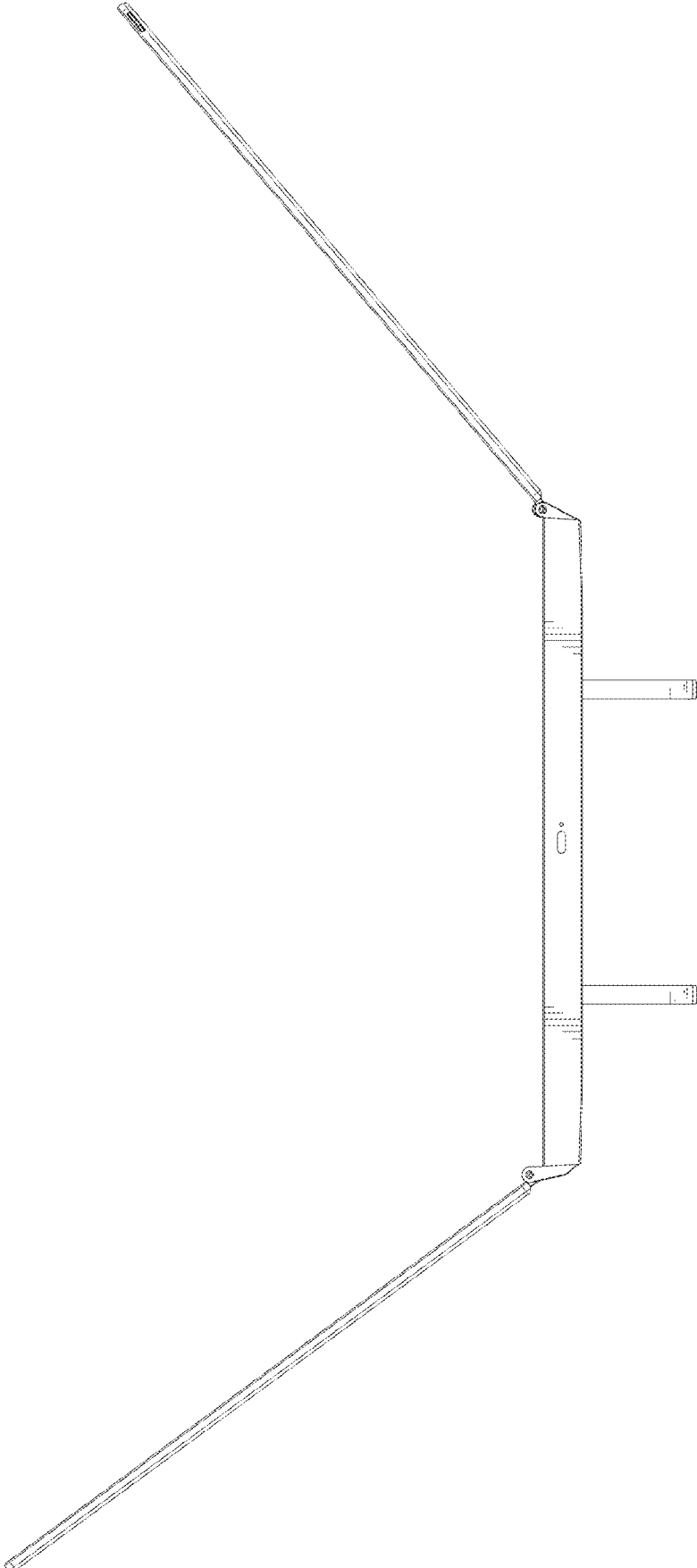


FIG. 8

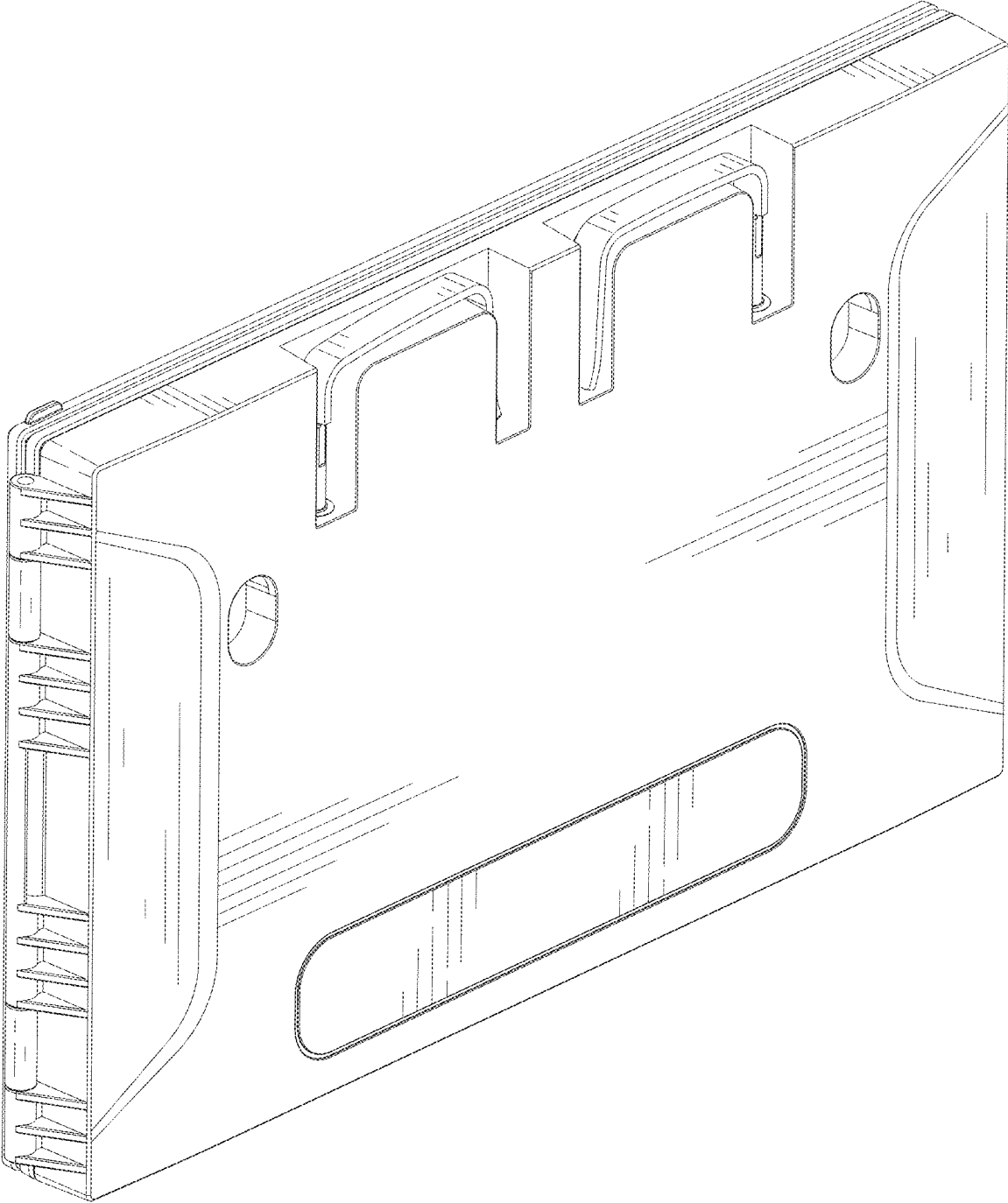


FIG. 9