



(12) **United States Design Patent**
Sultan

(10) **Patent No.:** **US D600,562 S**
(45) **Date of Patent:** **** Sep. 22, 2009**

(54) **CONTAINER**

(76) Inventor: **Tim Sultan**, 6743 Holyoke Ct., Fort Collins, CO (US) 80525

(**) Term: **14 Years**

(21) Appl. No.: **29/321,396**

(22) Filed: **Jul. 16, 2008**

Related U.S. Application Data

(63) Continuation-in-part of application No. 29/302,666, filed on Jan. 22, 2008.

(51) **LOC (9) Cl.** **09-01**

(52) **U.S. Cl.** **D9/541; D9/564; D9/570; D9/574**

(58) **Field of Classification Search** D9/516, D9/523, 537-544, 545, 569-570, 571, 574-575, D9/682, 685-687, 694; 215/382-384; 220/660, 220/669, 675

See application file for complete search history.

(56) **References Cited**

U.S. PATENT DOCUMENTS

- D94,231 S 1/1935 Mengle
- D116,016 S 8/1939 Buckingham
- D152,820 S * 2/1949 Nunes D9/542
- D206,193 S * 11/1966 Gooding D9/542
- D206,194 S * 11/1966 Gooding D9/542
- D228,343 S * 9/1973 Kretz D9/563
- D229,889 S * 1/1974 Brody D9/542
- D261,231 S * 10/1981 Grip D9/575 X
- D271,084 S * 10/1983 Gurolnick D9/563
- D291,969 S * 9/1987 Kramer et al. D9/566
- 4,877,142 A 10/1989 Doering
- 4,949,861 A 8/1990 Cochran
- 5,634,504 A 6/1997 Chandler
- 5,803,310 A 9/1998 Soon
- D419,077 S 1/2000 Sultan
- D422,919 S 4/2000 Scriven et al.
- 6,070,753 A 6/2000 Hirst et al.
- D433,338 S * 11/2000 Blaakman D9/542
- 6,161,713 A 12/2000 Krich
- D439,522 S * 3/2001 Blaakman D9/542
- D461,416 S * 8/2002 Pieschel D9/530
- D484,419 S 12/2003 Potocki et al.

- D502,598 S * 3/2005 Chen D3/273
- 6,880,734 B2 4/2005 Baeke, Jr.
- D510,028 S * 9/2005 Hasler D9/564 X
- 6,974,047 B2 12/2005 Kelley et al.
- D551,085 S 9/2007 Feen
- D555,500 S * 11/2007 Johnston et al. D9/574 X
- D576,884 S * 9/2008 Feen D9/523
- D579,781 S * 11/2008 Granitz D9/542
- 2007/0045222 A1 3/2007 Denner et al.

OTHER PUBLICATIONS

Internet screen shot for STP Fuel Additives, at http://www.stp.com/fuel_additives.html, dated Dec. 2007.

Website image for Gumout Fuel Injector/Carburetor Cleaner, at http://ace.imageg.net/graphics/product_images/pACE-981898dt.jpg, dated Dec. 2007.

Website image for Prestone Fuel Injector Cleaner, at http://ecx.images-amazon.com/images/I/41QMC6SPR7L__SS500_.jpg, dated Dec. 2007.

Internet screen shot for Valvoline Super Concentrated Fuel Injector Cleaner, at http://www.valvoline.com/pages/products/product_detail.asp?product=57, dated Dec. 2007.

* cited by examiner

Primary Examiner—Carol Rademaker

(74) *Attorney, Agent, or Firm*—Hoffmann & Baron, LLP

(57) **CLAIM**

The ornamental design for a container, as shown and described.

DESCRIPTION

FIG. 1 is a perspective view of a container showing my new design;

FIG. 2 is a front elevation view thereof, the back being a mirror image;

FIG. 3 is a right side elevation view thereof, the left side being a mirror image; and,

FIG. 4 is a top view thereof.

The broken lines shown in the drawings are included for the purpose of showing environmental structure that forms no part of the claimed design.

1 Claim, 4 Drawing Sheets

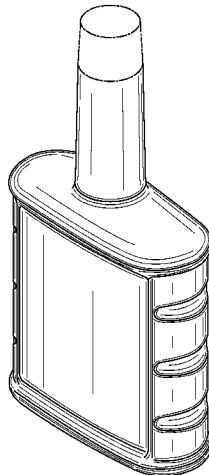


FIG. 1

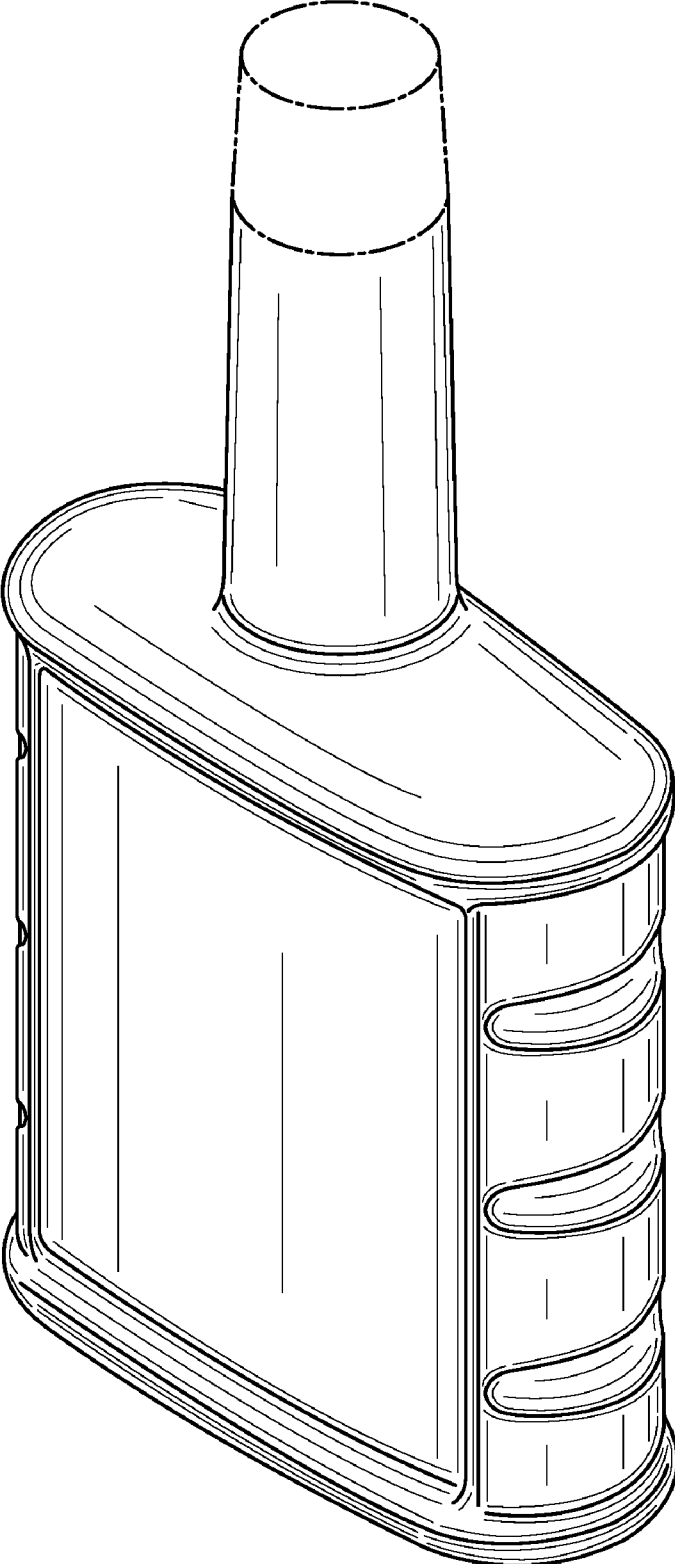


FIG.2

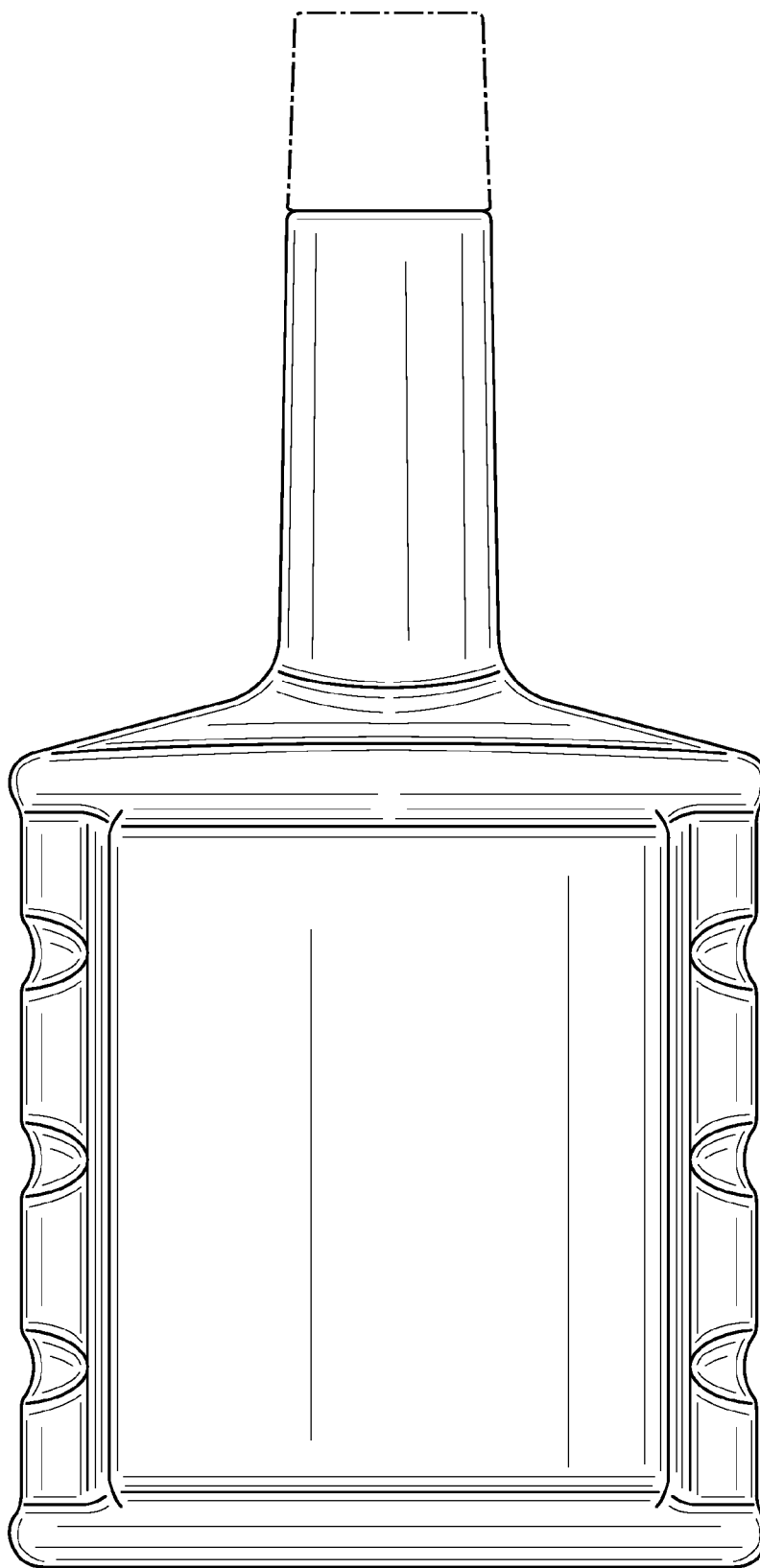


FIG. 3

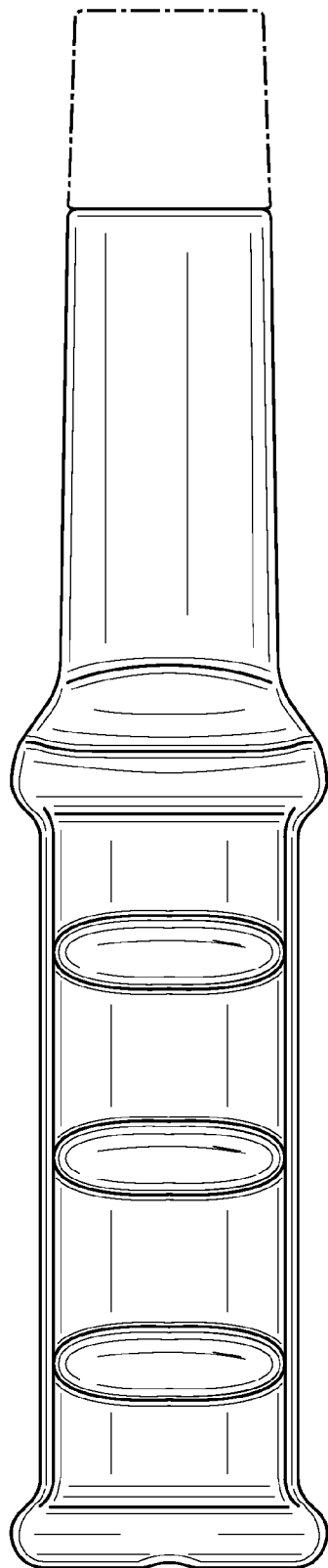


FIG. 4

