



US00D492672S1

(12) **United States Design Patent**  
**Hung et al.**

(10) **Patent No.:** **US D492,672 S**

(45) **Date of Patent:** **\*\* Jul. 6, 2004**

(54) **ANTENNA**

(75) Inventors: **Zhen-Da Hung**, Tu-Chen (TW);  
**Lung-Sheng Tai**, Tu-Chen (TW);  
**Yun-Lung Ke**, Tu-chen (TW)

(73) Assignee: **Hon Hai Precision Ind. Co., Ltd.**,  
Taipei Hsien (TW)

(\*\*) Term: **14 Years**

(21) Appl. No.: **29/191,570**

(22) Filed: **Oct. 8, 2003**

(51) **LOC (7) Cl.** ..... **14-03**

(52) **U.S. Cl.** ..... **D14/230**

(58) **Field of Search** ..... D14/230, 233,  
D14/236, 299; 343/700 MS, 767, 768, 770,  
746

(56) **References Cited**

**U.S. PATENT DOCUMENTS**

6,429,818 B1 \* 8/2002 Johnson et al. .... 343/700 MS  
6,483,463 B2 \* 11/2002 Kadambi et al. .... 343/700 MS

6,552,686 B2 \* 4/2003 Ollikainen et al. .. 343/700 MS  
6,577,278 B1 \* 6/2003 Hood et al. .... 343/700 MS  
6,614,400 B2 \* 9/2003 Egorov ..... 343/700 MS  
6,664,931 B1 \* 12/2003 Nguyen et al. .... 343/767

\* cited by examiner

*Primary Examiner*—Louis S. Zarfaz  
*Assistant Examiner*—Deanne Levy  
(74) *Attorney, Agent, or Firm*—Wei Te Chung

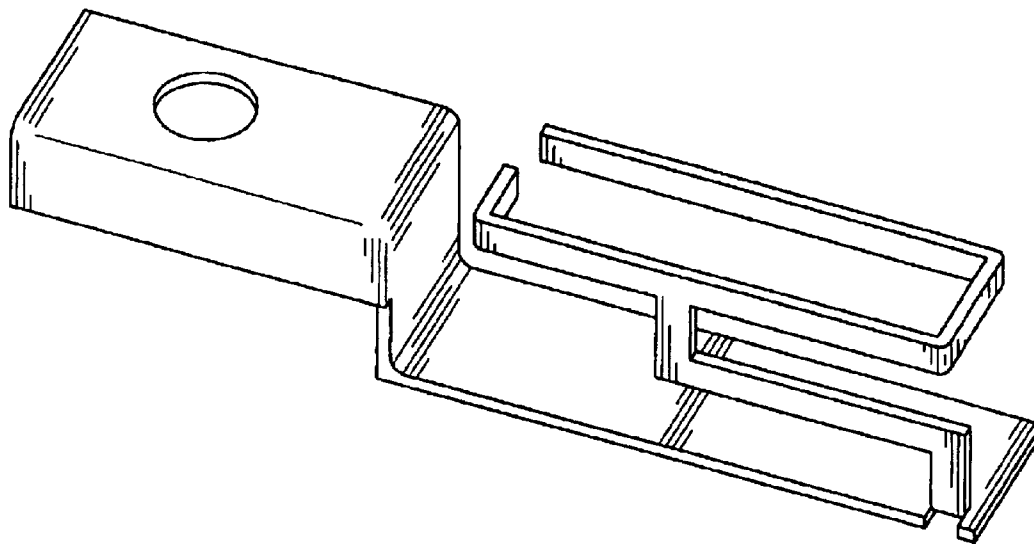
(57) **CLAIM**

The ornamental design for an antenna, as shown.

**DESCRIPTION**

FIG. 1 is a front, top and right side perspective view of an antenna;  
FIG. 2 is a front elevational view thereof;  
FIG. 3 is a rear elevational view thereof;  
FIG. 4 is a left side elevational view thereof;  
FIG. 5 is a right side elevational view thereof;  
FIG. 6 is a top plan view thereof; and,  
FIG. 7 is a bottom plan view thereof.

**1 Claim, 6 Drawing Sheets**



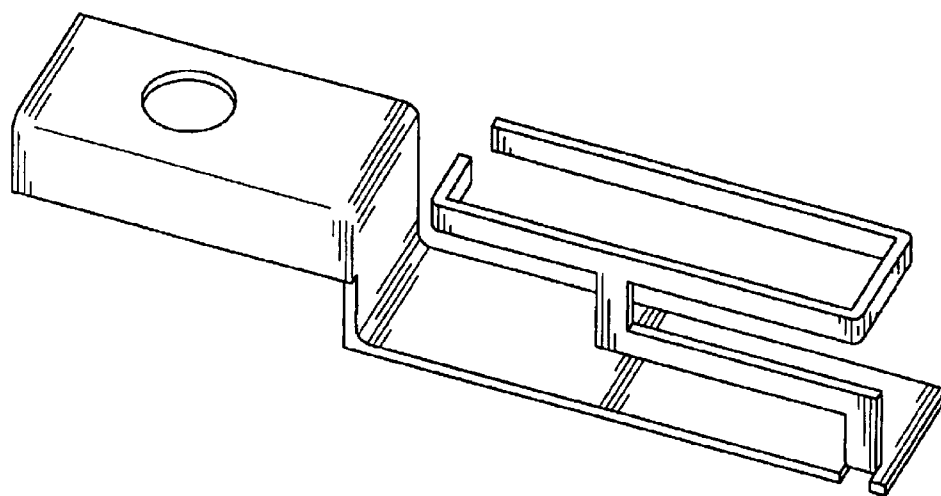


FIG. 1

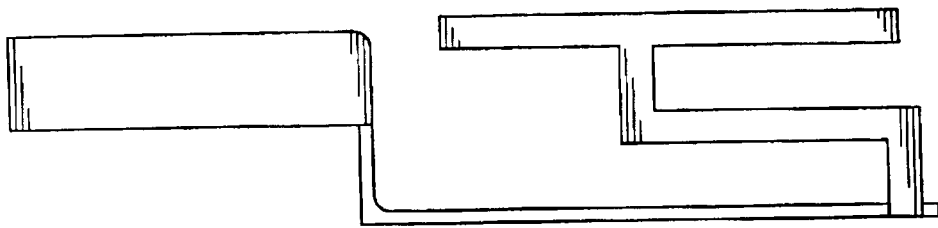


FIG. 2

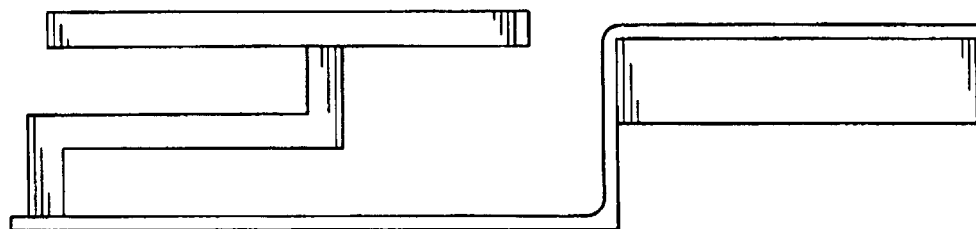


FIG. 3

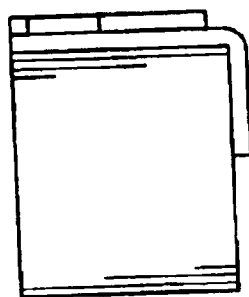


FIG. 4

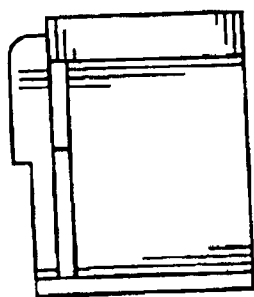


FIG. 5

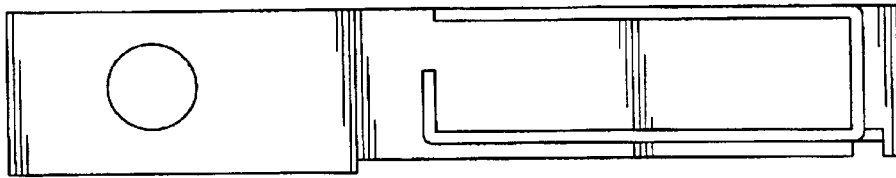


FIG. 6

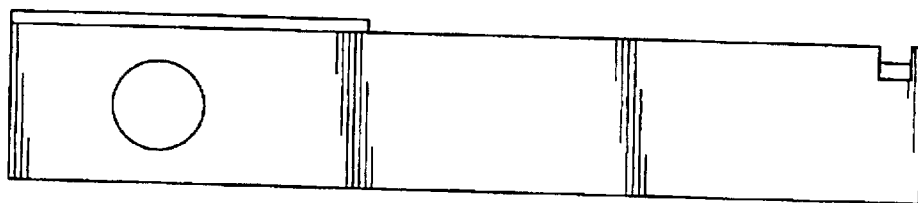


FIG. 7