



(43) International Publication Date  
27 December 2012 (27.12.2012)

- (51) International Patent Classification:  
A47C 4/28 (2006.01)
- (21) International Application Number:  
PCT/US2012/000146
- (22) International Filing Date:  
16 March 2012 (16.03.2012)
- (25) Filing Language:  
English
- (26) Publication Language:  
English
- (30) Priority Data:  
13/134,917 20 June 2011 (20.06.2011) US
- (71) Applicant (for all designated States except US): **RE-VOLVE, LLC**; 2802 East James Street, Gilbert, AZ 85296 (US).
- (72) Inventors; and
- (71) Applicants : **OBOLEWICZ, Michael** [US/US]; 2802 East James Street, Gilbert, AZ 85296 (US). **HILLS, Craig, A.** [US/US]; 215 E. 14th Street, Tempe, AZ 85281 (US).
- (74) Agent: **NISSLE, Tod, R.**; TOD R. NISSLE, P.C., PO Box 55630, Phoenix, AZ 85078 (US).
- (81) Designated States (unless otherwise indicated, for every kind of national protection available): AE, AG, AL, AM, AO, AT, AU, AZ, BA, BB, BG, BH, BR, BW, BY, BZ,

CA, CH, CL, CN, CO, CR, CU, CZ, DE, DK, DM, DO, DZ, EC, EE, EG, ES, FI, GB, GD, GE, GH, GM, GT, HN, HR, HU, ID, IL, IN, IS, JP, KE, KG, KM, KN, KP, KR, KZ, LA, LC, LK, LR, LS, LT, LU, LY, MA, MD, ME, MG, MK, MN, MW, MX, MY, MZ, NA, NG, NI, NO, NZ, OM, PE, PG, PH, PL, PT, QA, RO, RS, RU, RW, SC, SD, SE, SG, SK, SL, SM, ST, SV, SY, TH, TJ, TM, TN, TR, TT, TZ, UA, UG, US, UZ, VC, VN, ZA, ZM, ZW.

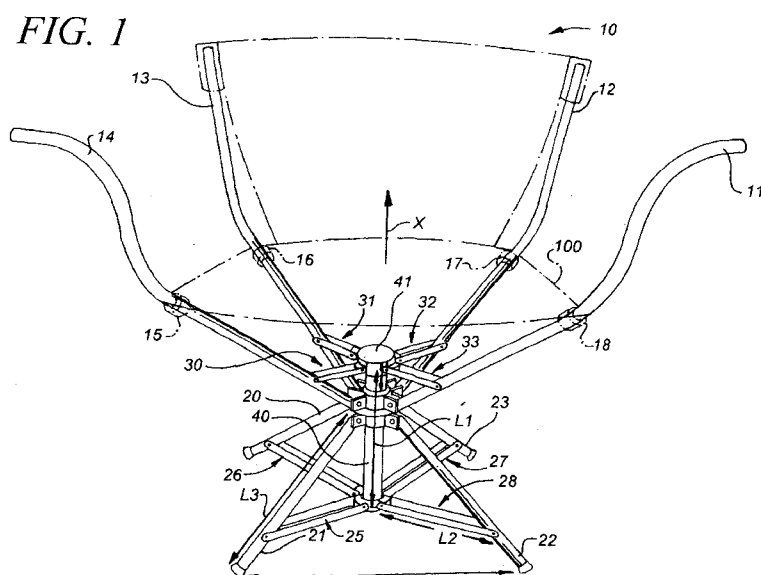
(84) Designated States (unless otherwise indicated, for every kind of regional protection available): ARIPO (BW, GH, GM, KE, LR, LS, MW, MZ, NA, RW, SD, SL, SZ, TZ, UG, ZM, ZW), Eurasian (AM, AZ, BY, KG, KZ, MD, RU, TJ, TM), European (AL, AT, BE, BG, CH, CY, CZ, DE, DK, EE, ES, FI, FR, GB, GR, HR, HU, IE, IS, IT, LT, LU, LV, MC, MK, MT, NL, NO, PL, PT, RO, RS, SE, SI, SK, SM, TR), OAPI (BF, BJ, CF, CG, CI, CM, GA, GN, GQ, GW, ML, MR, NE, SN, TD, TG).

**Published:**

- with international search report (Art. 21(3))
- with information concerning one or more priority claims considered void (Rule 26bis.2(d))

(88) Date of publication of the international search report:  
17 April 2014

(54) Title: FOLDING SWIVEL CHAIRS



(57) Abstract: A swiveling folding chair is provided. The chair swivels independently of the legs of the chair.



WO 2012/177286 A3

**INTERNATIONAL SEARCH REPORT**

International application No. PCT/US 12/00146
--

**A. CLASSIFICATION OF SUBJECT MATTER**  
 IPC(8) - A47C 4/28 (2013.01)  
 USPC - 297/16.2  
 According to International Patent Classification (IPC) or to both national classification and IPC

**B. FIELDS SEARCHED**

Minimum documentation searched (classification system followed by classification symbols)  
 IPC(8): A47C 4/28 (2013.01)  
 USPC: 297/16.2

Documentation searched other than minimum documentation to the extent that such documents are included in the fields searched  
 IPC(8): A47C 3/00, 3/18, 4/00, 4/42, 4/44, 7/54, 7/62, 9/10  
 USPC: 297/16.1, 16.2, 45, 217.4, 344.1, 344.18, 344.21

Electronic data base consulted during the international search (name of data base and, where practicable, search terms used)  
 PatBase, Google: Fold\*, collaps\*, portable, chair, seat, swivel\*, rotat\*, column, shaft, post, slide#, telescop\*, feet, camp\*, foot, pivot, support\*, brace#, rod, bar

**C. DOCUMENTS CONSIDERED TO BE RELEVANT**

Category*	Citation of document, with indication, where appropriate, of the relevant passages	Relevant to claim No.
Y	US 2010/0314926 A1 (CHESNESS) 16 December 2010 (16.12.2010) entire document, see especially Fig 2-4, 7, 15, 17, 24, 25, 27, 29, 31, 32A, 34; para [0054], [0057], [0058], [0061]-[0063], [0070], [0072], [0075], [0077], [0080], [0086]	1, 2
Y	US 7,438,355 B2 (PEDEMONTE) 21 October 2008 (21.10.2008) Fig 6; col 5, ln 56-65	1
Y	US 1,408,581 A (GAUDREAU et al.) 07 March 1922 (07.03.1922) Fig 2, 8, 14; pg 1, ln 101-103	2
Y	US 517,929 A (MARCH) 10 April 1894 (10.04.1894) Fig 1, 2 and pg 1, ln 50-53	2
A	US 2002/0117878 A1 (FOX) 29 August 2002 (29.08.2002) entire document	1, 2
A	US 6,773,070 B2 (WORLEDGE et al.) 10 August 2004 (10.08.2004) entire document	1, 2

Further documents are listed in the continuation of Box C.

\* Special categories of cited documents:

"A" document defining the general state of the art which is not considered to be of particular relevance	"T" later document published after the international filing date or priority date and not in conflict with the application but cited to understand the principle or theory underlying the invention
"E" earlier application or patent but published on or after the international filing date	"X" document of particular relevance; the claimed invention cannot be considered novel or cannot be considered to involve an inventive step when the document is taken alone
"L" document which may throw doubts on priority claim(s) or which is cited to establish the publication date of another citation or other special reason (as specified)	"Y" document of particular relevance; the claimed invention cannot be considered to involve an inventive step when the document is combined with one or more other such documents, such combination being obvious to a person skilled in the art
"O" document referring to an oral disclosure, use, exhibition or other means	"&" document member of the same patent family
"P" document published prior to the international filing date but later than the priority date claimed	

Date of the actual completion of the international search 07 April 2013 (07.04.2013)	Date of mailing of the international search report <b>13 MAY 2013</b>
---	--

Name and mailing address of the ISA/US Mail Stop PCT, Attn: ISA/US, Commissioner for Patents P.O. Box 1450, Alexandria, Virginia 22313-1450 Facsimile No. 571-273-3201	Authorized officer: Lee W. Young  PCT Helpdesk: 571-272-4300 PCT OSP: 571-272-7774
---	--