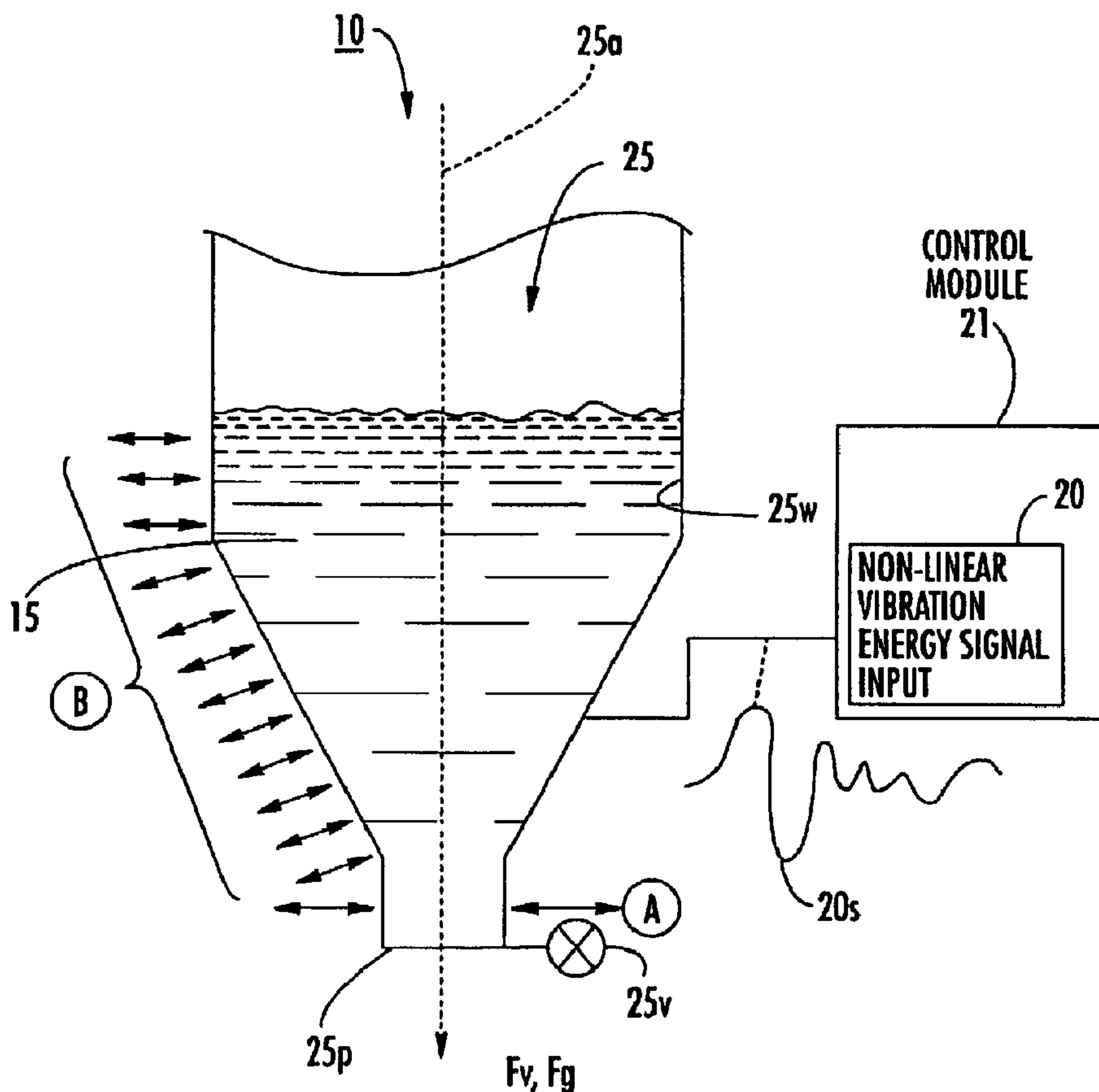




(86) Date de dépôt PCT/PCT Filing Date: 2003/06/26
 (87) Date publication PCT/PCT Publication Date: 2004/01/08
 (45) Date de délivrance/Issue Date: 2011/12/06
 (85) Entrée phase nationale/National Entry: 2005/12/22
 (86) N° demande PCT/PCT Application No.: US 2003/020842
 (87) N° publication PCT/PCT Publication No.: 2004/002394
 (30) Priorités/Priorities: 2002/06/27 (US60/392,671);
 2003/01/16 (US60/440,513); 2003/05/08 (US10/434,009)

(51) Cl.Int./Int.Cl. *B65B 1/08* (2006.01),
A61M 15/00 (2006.01), *B65B 1/30* (2006.01),
B65G 65/40 (2006.01), *G01G 13/28* (2006.01),
G01G 3/13 (2006.01)
 (72) Inventeurs/Inventors:
 CROWDER, TIMOTHY M., US;
 HICKEY, ANTHONY J., US
 (73) Propriétaire/Owner:
 ORIEL THERAPEUTICS, INC., US
 (74) Agent: SIM & MCBURNEY

(54) Titre : SYSTEMES DE REMPLISSAGE DE DOSE DE POUDRE SECHE, ET PROCEDES CONNEXES
 (54) Title: DRY POWDER DOSE FILLING SYSTEMS AND RELATED METHODS



(57) Abrégé/Abstract:

Methods for flowably dispensing dry powders from a hopper having a dispensing port and a dry powder flow path can include: (a) generating a first non-linear vibration input signal, the first non-linear input signal comprising a plurality of different selected

(57) **Abrégé(suite)/Abstract(continued):**

frequencies that correspond to a first dry powder formulation; (b) applying the first non-linear vibration input signal to a dispensing hopper having at least one dispensing port while the first dry powder formulation is flowing therethrough; and (c) dispensing a first meted quantity of the first dry powder through the dispensing port to a receiving member. Related devices and computer program products for dispensing dry powders are also described.

(12) INTERNATIONAL APPLICATION PUBLISHED UNDER THE PATENT COOPERATION TREATY (PCT)

(19) World Intellectual Property
Organization
International Bureau



(43) International Publication Date
8 January 2004 (08.01.2004)

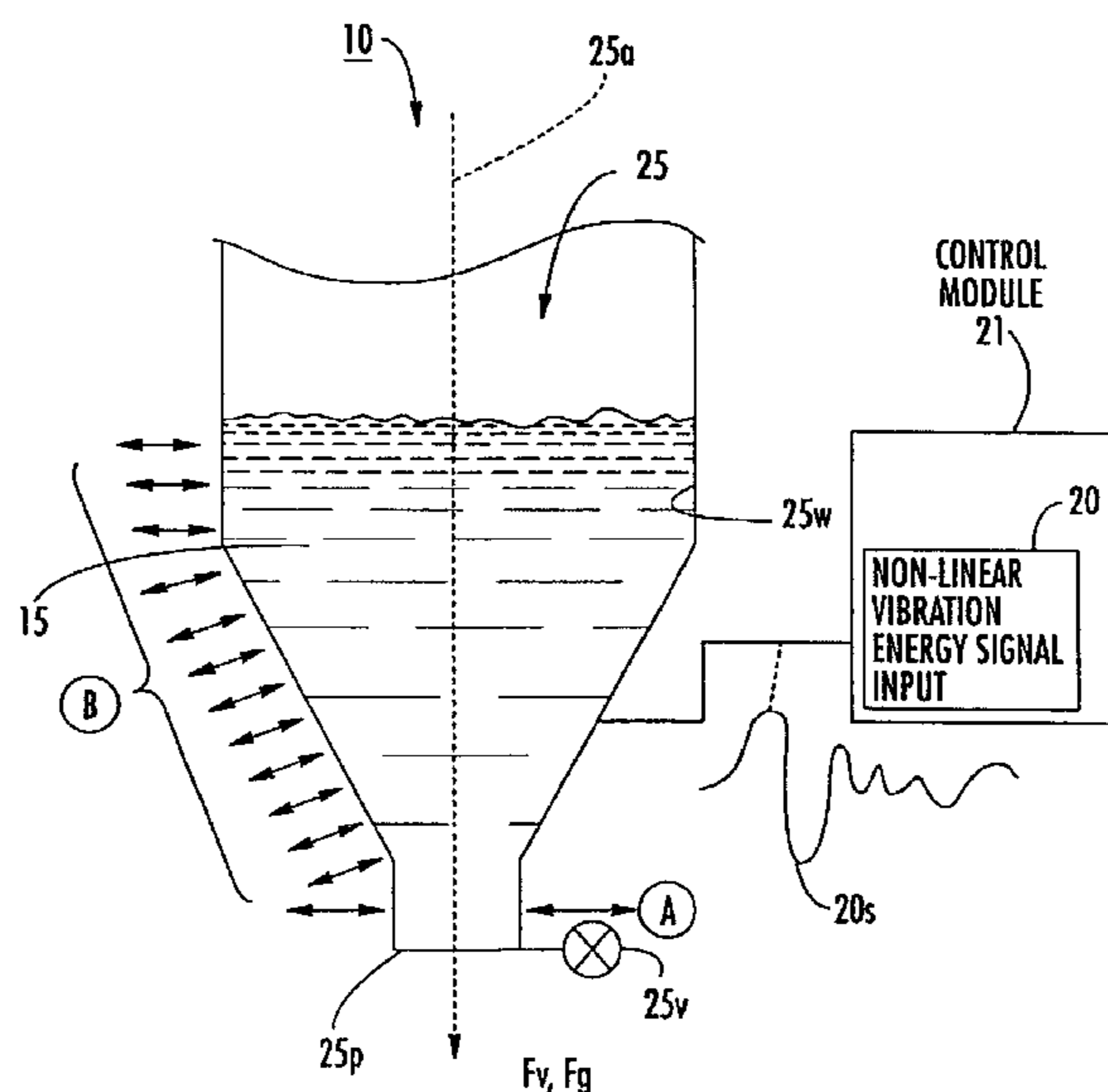
PCT

(10) International Publication Number
WO 2004/002394 A3

- (51) International Patent Classification⁷: **A61M 13/00**, A62B 18/08, H01L 41/04, B01F 11/02
- (74) Agent: MYERS BIGEL SIBLEY & SAJOVEC; P.O. Box 37428, Raleigh, NC 27627 (US).
- (21) International Application Number: PCT/US2003/020842
- (81) Designated States (*national*): AE, AG, AL, AM, AT, AU, AZ, BA, BB, BG, BR, BY, BZ, CA, CH, CN, CO, CR, CU, CZ, DE, DK, DM, DZ, EC, EE, ES, FI, GB, GD, GE, GH, GM, HR, HU, ID, IL, IN, IS, JP, KE, KG, KP, KR, KZ, LC, LK, LR, LS, LT, LU, LV, MA, MD, MG, MK, MN, MW, MX, MZ, NI, NO, NZ, OM, PG, PH, PL, PT, RO, RU, SC, SD, SE, SG, SK, SL, SY, TJ, TM, TN, TR, TT, TZ, UA, UG, US, UZ, VC, VN, YU, ZA, ZM, ZW.
- (22) International Filing Date: 26 June 2003 (26.06.2003)
- (25) Filing Language: English
- (26) Publication Language: English
- (30) Priority Data:
60/392,671 27 June 2002 (27.06.2002) US
60/440,513 16 January 2003 (16.01.2003) US
10/434,009 8 May 2003 (08.05.2003) US
- (84) Designated States (*regional*): ARIPO patent (GH, GM, KE, LS, MW, MZ, SD, SL, SZ, TZ, UG, ZM, ZW), Eurasian patent (AM, AZ, BY, KG, KZ, MD, RU, TJ, TM), European patent (AT, BE, BG, CH, CY, CZ, DE, DK, EE, ES, FI, FR, GB, GR, HU, IE, IT, LU, MC, NL, PT, RO, SE, SI, SK, TR), OAPI patent (BF, BJ, CF, CG, CI, CM, GA, GN, GQ, GW, ML, MR, NE, SN, TD, TG).
- (71) Applicant (*for all designated States except US*): **ORIEL THERAPEUTICS, INC.** [US/US]; 630 Davis Drive, Suite 120, Durham, NC 27713 (US).
- (72) Inventors; and
- (75) Inventors/Applicants (*for US only*): **CROWDER, Timothy, M.** [US/US]; 4208 Thetford Road, Durham, NC 27707 (US). **HICKEY, Anthony, J.** [GB/US]; 1208 Killington Court, Chapel Hill, NC 27514 (US).
- Published:
— with international search report
- (88) Date of publication of the international search report:
17 March 2005

[Continued on next page]

(54) Title: DRY POWDER DOSE FILLING SYSTEMS AND RELATED METHODS



(57) Abstract: Methods for flowably dispensing dry powders from a hopper having a dispensing port and a dry powder flow path can include: (a) generating a first non-linear vibration input signal, the first non-linear input signal comprising a plurality of different selected frequencies that correspond to a first dry powder formulation; (b) applying the first non-linear vibration input signal to a dispensing hopper having at least one dispensing port while the first dry powder formulation is flowing therethrough; and (c) dispensing a first meted quantity of the first dry powder through the dispensing port to a receiving member. Related devices and computer program products for dispensing dry powders are also described.

WO 2004/002394 A3

WO 2004/002394 A3



For two-letter codes and other abbreviations, refer to the "Guidance Notes on Codes and Abbreviations" appearing at the beginning of each regular issue of the PCT Gazette.

5

DRY POWDER DOSE FILLING SYSTEMS AND RELATED METHODS

10

Field of the Invention

15

The present invention relates to the dispensing of dry powder substances such as drugs, chemicals and toners and may be particularly suitable for dose-regulated pharmaceutical products.

Background of the Invention

20

25

In the pharmaceutical industry, fine dry powders, particularly those intended for inhalation products can be packaged or "filled" directly into inhalers or indirectly into packages that can then be accessed by the delivery mechanisms of the inhalers at the point of use. Generally described, known single and multiple dose dry powder inhaler devices ("DPI's") use (a) individual pre-measured doses, such as capsules or blisters containing the drug, which can be inserted into the device prior to dispensing, or (b) bulk powder reservoirs which are configured to administer successive quantities of the drug to the patient via a dispensing chamber which dispenses the proper dose. See generally Prime et al., *Review of Dry Powder Inhalers*, 26 *Adv. Drug Delivery Rev.*, pp. 51-58 (1997); and Hickey et al., *A new millennium for inhaler technology*, 21 *Pharm. Tech.*, n. 6, pp. 116-125 (1997).

30

Thus, depending on the filling container, the filling may be carried out to generate multi-dose amounts or unit (single) dose amounts. To assure dose

uniformity and regulatory compliance, the powders should be filled in a manner that provides precisely meted or metered amounts so that an accurate active dose is delivered to the patient. Presently, dry particle excipients or additives are added to the active dry powder constituent(s) to attempt to allow for ease of filling. Present single
5 or unit dose powder quantities typically range from about 10-30mg. The lower range of the filling dose amount may be limited by the filling protocols available. That is, dry powders have relatively poor flow properties making precise filling problematic.

Many conventional filling methods use hoppers that have been modified to attempt to aid the flow of powder from the hopper to the target fill device. The
10 metering of the dry powder during filling may be provided generally volumetrically, as described in US Patent No. 6,226,962, and US 6,357,490. Additional examples of volumetric metering systems are described in U.S Patent Nos. 5,865,012 and 6,267,155; these volumetric metering systems propose using an oscillating filling head and/or vibration to aid powder fluidization of pharmaceutically relevant
15 quantities. Others propose injecting a gaseous medium, such as compressed air, to facilitate the filling process, such as described in U.S. Patent No. 5,727,607. However, this filling process uses gravimetric metering that is typically not feasible for pharmaceutical products that generally include reduced amounts (milligram quantities or less) of dry powder.

20 Many pharmaceutical dry powder formulations employ small particles in the dry powder drug mixture; these small particles can be subject to forces of agglomeration and/or cohesion (*i.e.*, certain types of dry powders are susceptible to agglomeration, which is typically caused by particles of the drug adhering together), which can result in poor flow and non-uniform dispersion, thus inhibiting reliable
25 filling. In addition, many of these dry powder drugs are hygroscopic in nature, a characteristic that may also inhibit reliable filling. Further, fine or low-density dry powders have a tendency to float or spontaneously aerosolize during dispensing, inhibiting a uniform flow and/or making precision meted or metered dispensing problematic. Hence, it is believed that conventional dispensing methods may have
30 about 15-20% variability, dose to dose.

Notwithstanding the above, there remains a need to provide improved and/or accurate or precise dry powder dispensers and/or dispensing systems that can reliably dispense small quantities of dry powders.

5

Summary of the Invention

The present invention provides methods, systems, apparatus and computer program products that can promote a uniform fluid-like flow of dry powders. Certain embodiments may be particularly suitable for dispensing flowable precision unit dose amounts of low-density dry powders. Other embodiments are directed to medium and/or unit density dry powders.

In certain embodiments, the operations can employ non-linear vibration input energy transmitted to the dry powder during flow. The transmitted energy can be configured or generated so as to flowably dispense accurate measures of dry powder substances in a manner that inhibits or prevents aggregation, even in mass production repeat fill environments. In certain embodiments, the non-linear vibration energy is customized and comprises vibration input signals that correspond to selected frequencies associated a particular formulation or drug to promote uniform dry powder fluid flow (*i.e.*, fluidizing the powder and/or simulating liquid flow characteristics) without aggregation. The energy input may be generated by any suitable means including, but not limited to, electrical means, mechanical means, or combinations of same. The non-linear signal can be determined experimentally using a floor of PVDF (known as KYNAR piezo-film or polyvinylidene fluoride) that applies the non-linear signal to the powder and/or by evaluating flow characteristics such as time between avalanches (measured in a rotating drum).

Certain particular embodiments are directed to dispensing relatively small doses of low-density dry powders. The low-density powders may have densities that are at about or less than 0.8 g/cm^3 . The dose amounts may be less than about 15mg, and typically on the order of about $10\mu\text{g}$ to 10mg.

In certain embodiments, the non-linear vibratory input energy comprises a plurality of predetermined frequencies that correspond to selected frequencies associated with microflow of the dry powder. The frequencies can be selected experimentally using a flow evaluation apparatus and/or using a property analysis that characterizes certain flow parameters of that particular dry powder being dispensed.

Examples of microflow analysis parameters include those associated with the dynamic angle of repose or time to avalanche, a fractal analysis of mass flow, or other suitable analysis methodology known to those of skill in the art.

In particular embodiments, to establish the powder-specific energy signals, a Fourier Transform power spectrum and/or phase space complexity analysis of data associated with the angle of repose and/or time to avalanche can be employed. During dispensing, the non-linear vibratory energy may be operated so that multiple frequencies are transmitted concurrently via a single superimposed (weighted) combination of selected frequencies. The transmitted energy signal may be generated as a modulated multi-frequency input signal.

In certain embodiments, the energy input signal can comprise non-linear signals such as amplitude modulated signals with carrier frequencies in the range of between about 15kHz to 50kHz and a plurality of modulation frequencies in the range of between about 10-500Hz. The systems may be adjustable to generate customized non-linear signals matched to different ones of respective dry powders targeted for dispensing to thereby be able to serially dispense multiple different types of dry powders using predetermined different energy input signals.

In particular embodiments, the measured unit amount of fill can be automatically carried out using a time-controlled based dispensing system as the dry powder can be flowed in a fluid-like manner so as to cause the dry powder to simulate substantially uniform fluid flow. Thus, the flow path associated with a particular dispensing port can repeatedly open and then close in a predetermined time to mete out desired quantities of the dry powder being dispensed.

In other embodiments, the mass of the dry powder can be dispensed by measuring the change in an electrical parameter induced by the flexure in a piezoelectric active material positioned on a receiving member. The flexure is caused by a quantity or weight of dry powder being dispensed onto a tensioned piezoelectric material. The dispensed weight creates a change in a detectable electrical property that can be measured to determine the dispensed mass.

Certain embodiments of the present invention are directed to dispensing dry powder drugs with accuracies of +/-10%, and typically about +/- 5% or less variability, dose to dose, and may be carried out with requiring vacuums to dispense the dry powder formulation.

Other embodiments of the present invention are directed to methods and devices for increasing the bulk density without introducing cohesion or aggregation to provide a more stable fluid flow of fine low-density dry powders. Thus, certain embodiments of the dispensing systems contemplated by the present invention are directed at increasing the apparent bulk density of the dry powder by compressing portions of the powder bed in a dispensing path without evacuating the low-density dry powder material during flow dispensing and without aggregating the particles of the dry powder material.

In certain embodiments, apparatus for dispensing dry powders can include: (a) an elongate flow channel having a width, length, and depth, the flow channel having axially spaced apart inlet and outlet ports, wherein the elongate flow channel is configured to extend in an angular orientation of between about 10-75 degrees relative to the axial direction of flow; (b) a flexible piezoelectric layer configured to overlie the flow channel so that, in operation, the piezoelectric layer is able to flex upwardly away from the lowermost portion of the underlying flow channel; and (c) a signal generator operatively associated with the piezoelectric layer, wherein, in operation, the signal generator is configured to output a signal for flexing the piezoelectric layer in the elongate flow channel.

Certain embodiments are directed to methods of flowably dispensing dry powders from a hopper having a dispensing port and a dry powder flow path. The methods include: (a) generating a first non-linear vibration input signal, the first non-linear input signal comprising a plurality of different selected frequencies that correspond to characteristic flow frequencies of a first dry powder formulation; (b) applying the first non-linear vibration input signal to a dispensing hopper having at least one dispensing port while the first dry powder formulation is flowing therethrough; and (c) dispensing a first metered quantity of the first dry powder through the dispensing port to a receiving member.

In particular embodiments, the computer program code includes a plurality of predetermined different dry powder-specific flow enhancing vibration energy outputs, each associated with a different dry powder that is flowably dispensable. The system can be configured to dispense a plurality of different dry powders separately. The control module can include computer program code that accepts user input to identify the dry powder being dispensed, and computer program code that automatically

selectively adjusts the output of the vibration energy generation source based on the identified dry powder being dispensed.

In certain embodiments, the computer program code for the predetermined dry powder-specific flow enhancing vibration energy output for the dry powder being
5 dispensed is based on data experimentally obtained from a flow analysis of the dry powder.

Other embodiments are directed to computer program products for operating a flowing dry powder dispensing system having an associated dry powder flow path with a dispensing port and a vibration energy source associated therewith to facilitate
10 fluidic flow. The computer program product includes computer readable storage medium having computer readable program code embodied in said medium. The computer-readable program code includes: (a) computer readable program code that identifies a plurality of different powder-specific flow enhancing vibration energy signals, a respective one for each of the plurality of different dry powders, each of the
15 flow enhancing vibration energy signals corresponding to individually predetermined flow property data of the plurality of dry powders; and (b) computer readable program code that directs the dispensing system to operate using the powder-specific vibration energy signal associated with the dry powder being dispensed as identified in the plurality of different vibration energy signals.

20 According to another aspect, there is provided a method of flowably dispensing pharmaceutical dry powder from a hopper during a filling operation, the hopper having a dispensing port and a dry powder flow path, comprising:

generating a first non-linear vibration input signal, the first non-linear input signal comprising a carrier frequency modulated by a plurality of different selected
25 predetermined modulating frequencies that correspond to a first dry powder formulation;

applying the first non-linear vibration input signal to a dispensing hopper having a dry powder flow path and at least one dispensing port while the first dry powder formulation is flowing therethrough; and

30 dispensing a first meted quantity of the first dry powder through the dispensing port to a receiving member.

According to a further aspect, there is provided a method of operating a dry powder filling system for dispensing pharmaceutical grade formulations of inhalable dry powder substances to target receiving members, comprising:

5 generating a vibratory signal comprising a carrier frequency modulated by a plurality of selected predetermined modulating frequencies to dry powder in a bulk powder enclosure having a dispensing flow path, the selected modulating frequencies corresponding to identified a priori flow characteristic frequencies of the dry powder; and

10 dispensing meted quantities of the dry powder using the generated vibratory signal.

According to another aspect, there is provided a method of flowably dispensing production batches of pharmaceutical dry powders from a hopper having a dispensing port and a dry powder flow path, comprising:

15 generating a first vibration input signal, the first input signal comprising a carrier frequency modulated by at least one selected predetermined modulating frequency, the selected modulating frequency generally corresponding to one of a plurality of a priori identified flow characteristic frequencies of a particular dry powder being dispensed;

20 applying the first vibration input signal to the dry powder while the first dry powder formulation is flowing so that the first input signal vibrates the powder in a flow path to facilitate fluidic flow of the dry powder; and

serially dispensing meted quantities of the first dry powder to at least one receiving member, wherein a dose to dose variation of the meted quantities is less than about 5%.

25 According to a further aspect, there is provided a method of flowably dispensing pharmaceutical dry powder(s) from a hopper and/or dry powder flow path that merges into a dispensing port comprising:

30 generating a first non-linear vibration input signal, the first non-linear input signal comprising a carrier frequency modulated by a plurality of different selected predetermined modulating frequencies, the different selected modulating frequencies corresponding to flow characteristic frequencies derived from a flow analysis of a dry powder formulation targeted for dispensing;

applying the first non-linear vibration input signal to the dry powder while the dry powder formulation is flowing; and

dispensing metered quantities of the first dry powder through a dispensing port to a receiving member.

5 According to another aspect, there is provided a dry powder dispensing system, comprising:

a hopper configured to hold a dry powder therein, the hopper having at least one dispensing port and a wall with an inner surface and outer surface;

a quantity of a dry powder disposed in the hopper;

10 at least one vibration energy source operably associated with the hopper, wherein, in operation, the at least one vibration energy source is configured to output a non-linear vibratory energy sufficient to impart a velocity with at least one downward force vector to the dry powder as the dry powder flows downwardly to the dispensing port, wherein the non-linear vibratory energy comprises a carrier
15 frequency modulated by a plurality of different selected modulating frequencies that correspond to a first dry powder formulation; and

a controller operably associated with the hopper and the vibration energy source, the controller configured to direct the vibration energy source to output the carrier frequency modulated by the selected modulating frequencies.

20 According to a further aspect, there is provided a dry powder dispensing system, comprising:

a hopper configured to hold a dry powder therein, the hopper having at least one dispensing port and a wall with an inner surface and outer surface;

a quantity of a dry powder disposed in the hopper;

25 at least one vibration energy source operably associated with the hopper, wherein, in operation, the at least one vibration energy source is configured to output a non-linear vibratory energy sufficient to impart a velocity with at least one downward force vector to the dry powder as the dry powder flows downwardly to the dispensing port, wherein the non-linear vibratory energy comprises a carrier
30 frequency modulated by a plurality of different selected modulating frequencies that correspond to a first dry powder formulation; and

a controller operably associated with the hopper and the vibration energy source, the controller configured to direct the vibration energy source to output the carrier frequency modulated by the selected modulating frequencies,

wherein the controller comprises a control module with computer readable storage medium having computer readable program code configured to programmatically select the desired non-linear vibratory energy from an electronic library of non-linear energy outputs, wherein a respective one of the non-linear energy outputs is associated with a corresponding one of a plurality of different dry powders, the non-linear energy output selection being made based on the dry powder being dispensed.

According to another aspect, there is provided a dry powder dispensing system, comprising:

a hopper configured to hold a dry powder therein, the hopper having at least one dispensing port and a wall with an inner surface and outer surface;

a quantity of a dry powder disposed in the hopper;

at least one vibration energy source operably associated with the hopper, wherein, in operation, the at least one vibration energy source is configured to output a non-linear vibratory energy sufficient to impart a velocity with at least one downward force vector to the dry powder as the dry powder flows downwardly to the dispensing port, wherein the non-linear vibratory energy comprises a carrier frequency modulated by a plurality of different selected modulating frequencies that correspond to a first dry powder formulation; and

a controller operably associated with the hopper and the vibration energy source, the controller configured to direct the vibration energy source to output the carrier frequency modulated by the selected modulating frequencies,

wherein, in operation, the at least one vibration energy source is configured to output a second non-linear vibratory energy sufficient to impart a velocity with at least one downward force vector to the dry powder as the dry powder flows downwardly to the dispensing port, wherein the second non-linear vibratory energy is different from the first non-linear vibratory energy, the second non linear vibratory energy comprising a carrier frequency modulated by a plurality of different predetermined modulating frequencies, and wherein the controller is configured to

electronically direct the vibration energy source to output the first or second non-linear vibratory energy with its respective carrier frequency modulated by the associated predetermined frequencies while the dry powder is flowing.

According to a further aspect, there is provided a dry powder dispensing system, comprising:

a hopper configured to hold a dry powder therein, the hopper having at least one dispensing port and a wall with an inner surface and outer surface;

a quantity of a dry powder disposed in the hopper;

at least one vibration energy source operably associated with the hopper,

wherein, in operation, the at least one vibration energy source is configured to output a non-linear vibratory energy sufficient to impart a velocity with at least one downward force vector to the dry powder as the dry powder flows downwardly to the dispensing port, wherein the non-linear vibratory energy comprises a carrier frequency modulated by a plurality of different selected modulating frequencies that correspond to a first dry powder formulation;

a controller operably associated with the hopper and the vibration energy source, the controller configured to direct the vibration energy source to output the carrier frequency modulated by the selected modulating frequencies; and

an elongated insert configured to reside in the flow path in the hopper such that the insert downwardly extends a distance out of the dispensing port and eccentrically rotates relative to the axis of the flow path of the hopper during dispensing to transmit directional acceleration to particles of the dry powder.

According to another aspect, there is provided a system of flowably dispensing dry powders from a hopper having at least one dispensing port and at least one dry powder flow path, comprising:

means for generating a first non-linear vibration input signal, the first input signal comprising a carrier frequency modulated by at least a selected one of a plurality of predetermined modulating frequencies, the at least one selected modulating frequency generally corresponding to one of a plurality of a priori identified flow characteristic frequencies of a particular dry powder being dispensed; and

means for applying the first vibration input signal to the dry powder while the first dry powder formulation is flowing in a flow path so that the first input signal vibrates the powder in the flow path to facilitate fluidic flow of the dry powder whereby the system serially dispenses meted quantities of the first dry powder to at least one receiving member with a dose to dose variation of the meted quantities being less than about 5%.

According to a further aspect, there is provided a system for flowably dispensing pharmaceutical dry powder(s) comprising:

a vibration source configured to generate a first non-linear vibration input signal comprising a carrier frequency modulated by a plurality of different selected modulating frequencies, the different modulating frequencies corresponding to flow characteristic frequencies derived from a flow analysis of a dry powder formulation targeted for dispensing;

a dry powder flow path in communication with the vibration source whereby the first non-linear vibration input signal is transmitted to the dry powder while the dry powder formulation is flowing in the flow path; and

at least one dispensing port in communication with the dry powder flow path, the dispensing port configured to dispense meted unit dose quantities of the first dry powder to a receiving member.

According to another aspect, there is provided a system for flowably dispensing pharmaceutical dry powder(s) comprising:

a vibration source configured to generate a first non-linear vibration input signal comprising a carrier frequency modulated by a plurality of different selected modulating frequencies, the different modulating frequencies corresponding to flow characteristic frequencies derived from a flow analysis of a dry powder formulation targeted for dispensing;

a dry powder flow path in communication with the vibration source whereby the first non-linear vibration input signal is transmitted to the dry powder while the dry powder formulation is flowing in the flow path; and

at least one dispensing port in communication with the dry powder flow path, the dispensing port configured to dispense meted unit dose quantities of the first dry powder to a receiving member,

wherein the non-linear input signal has a plurality of superpositioned selected modulating frequencies.

According to a further aspect, there is provided a dry powder filling system for dispensing pharmaceutical grade formulations of inhalable dry powder substances to target receiving members, comprising:

a vibratory signal generator configured to apply at least one vibratory signal comprising a carrier frequency modulated by a plurality of selected predetermined modulating frequencies to dry powder in a bulk powder container having a dispensing flow path that merges into at least one dispenser, the selected modulating frequencies corresponding to identified a priori flow characteristic frequencies of the dry powder, whereby the system is configured to dispense meted quantities of the dry powder using the at least one vibratory signal.

According to another aspect, there is provided a dry powder filling/ dispensing system, comprising:

a hopper for holding a multi-bolus quantity of pharmaceutical dry powder having at least one dispensing port and a wall with an inner surface and outer surface; a multi-bolus quantity of a pharmaceutical dry powder disposed in the hopper; and

means for generating vibration energy to output a desired non-linear vibratory input comprising a carrier frequency and a plurality of selected modulating frequencies sufficient to impart a velocity with at least one downward force vector to the dry powder as the dry powder flows downwardly toward the dispensing port and is dispensed as a meted single pharmaceutical dose.

The present invention contemplates providing systems similar to the methods, and certain systems can be described by inserting “means for” in front of the operations noted under any of the methods described above. These and other aspects of the present invention are explained in detail in the specification set forth below.

Brief Description of the Drawings

Figure 1A is a schematic enlarged partial front view of a filling or dispensing nozzle according to embodiments of the present invention.

Figure 1B is a flow diagram of examples of operations that can be used to carry out embodiments of the invention.

Figure 1C is a flow diagram of examples of operations that can be used to mete amounts of dry powder according to embodiments of the present invention.

Figures 2A-2C is a schematic illustration of the characterization and generation of customized energy input signals for different dry powders according to embodiments of the present invention.

Figures 3A-3E illustrate a series of operations that can be carried out to determine a suitable signal according to embodiments of the present invention.

Figure 4 is a graph of the vibration amplitude as a function of frequency used to disperse the dry powder used to vibrate the powder during filling according to embodiments of the present invention.

Figure 5A is a partial section view of a dispensing system according to embodiments of the present invention.

Figure 5B is a partial section view of a dispensing system according to alternative embodiments of the present invention.

Figure 6 is a schematic front section view of a dispensing system according to additional embodiments of the present invention.

Figure 7 is a schematic front partial section view of another embodiment of the present invention.

Figure 8 is a side perspective view of an oscillating insert member according to embodiments of the present invention.

Figure 9 is a schematic front perspective view of a dispensing system according to additional embodiments of the present invention.

Figure 10A is a schematic illustration of a dispensing system according to additional embodiments of the present invention.

Figure 10B is a graph illustrating a detectable alteration in an electrical parameter that can be used to determine a dispensed mass or weight using a dispensing system similar to that shown in Figure 10A according to embodiments of the present invention.

Figure 11 is a block diagram illustrating a computer program module according to embodiments of the present invention.

Figure 12 is a block diagram of operations that can be used to evaluate dry powder dispensing parameters according to embodiments of the present invention.

Figure 13 is a perspective view of a dispensing mechanism according to embodiments of the present invention.

Figure 14A is a front view of a flow channel member according to embodiments of the present invention.

Figure 14B is a top view of the flow channel member shown in **Figure 14A**.

Figure 14C is a side view of the flow channel member shown in **Figures 14A**
5 and **14B**.

Figure 15A is a front view of a cover member according to embodiments of the present invention.

Figure 15B is a top view of the cover member shown in **Figure 15A**.

Figure 15C is a side view of the cover member shown in **Figures 15A** and
10 **15B**.

Figure 15D is a front view of the cover member shown in position overlying the flow channel member of **Figure 14A** according to embodiments of the present invention.

Figure 16A is a top view of a piezoelectric polymer member according to
15 embodiments of the present invention.

Figure 16B is a top view of a clamping brace that may be used to secure the cover member (**Figure 15A**) and flow channel member (**Figure 14A**) according to embodiments of the present invention.

Figure 17A is a perspective view of an alternate embodiment of a dispensing
20 and/or dry powder flow evaluation apparatus according to embodiments of the present invention.

Figure 17B is a section view of the device taken along line 17B-17B in **Figure 17A**.

25 Description of Embodiments of the Invention

The present invention will now be described more fully hereinafter with reference to the accompanying figures, in which embodiments of the invention are shown. This invention may, however, be embodied in many different forms and should not be construed as limited to the embodiments set forth herein. Like numbers
30 refer to like elements throughout. In the figures, certain layers, components or features may be exaggerated for clarity, and broken lines illustrate optional features or operations, unless specified otherwise. The term "meted" is used interchangeably with the term "metered." In addition, the sequence of operations (or steps) is not

limited to the order presented in the claims unless specifically indicated otherwise. Where used, the terms “attached”, “connected”, “contacting”, and the like, can mean either directly or indirectly, unless stated otherwise. Further, the term “hopper” is broadly used for ease of description to designate devices or a transient portion or holding portion of the flow path in a dispensing system and can include, but are not limited to, a dispensing head(s), a portion of the flow path, and/or a reservoir body and the like. The figures are not necessarily shown to scale.

In the description of the present invention that follows, certain terms are employed to refer to the positional relationship of certain structures relative to other structures. As used herein, the terms “front” or “forward” and derivatives thereof refer to the general or primary direction that the dry powder travels as it is dispensed; these terms are intended to be synonymous with the term “downstream,” which is often used in manufacturing or material flow environments to indicate that certain material traveling or being acted upon is farther along in that process than other material. Conversely, the terms “rearward” and “upstream” and derivatives thereof refer to the directions opposite, respectively, the forward and downstream directions.

As used herein, the term “non-linear” means that the applied vibratory action or signal has an irregular shape and/or cycle, typically employing multiple superimposed frequencies and/or a vibratory frequency line shape that has varying amplitudes (peaks) and peak widths over typical standard intervals (per second, minute, etc.) over time. In contrast to conventional systems, the non-linear vibratory signal input operates without a fixed single or steady state repeating amplitude at a fixed frequency or cycle. This non-linear vibratory input can, thus, transmit a variable amplitude motion (as either a one, two and/or three-dimensional vibratory motion) to the powder.

The devices and methods of the present invention may be particularly suitable to dispense discrete measured or meted quantities of dry powders, including those formulated as medicaments, and/or pharmaceutical agents for oral and/or inhalation delivery. The dry powders may be those approved by a regulatory agency for dispensing as a pharmaceutical product, or may be dry powder used in a drug trial, drug discovery, clinical, or pre-clinical evaluation or be the subject of other commercial or non-commercial scientific, research and/or laboratory evaluation. The

dry powders may include one or more active pharmaceutical constituents as well as biocompatible additives that form the desired formulation or blend.

Embodiments of the invention may be particularly suitable for dispensing low-density dry powders. However, other embodiments include processing unit density
5 and/or medium density powders. The term "low-density dry powder" means dry powders having a density of about 0.8 g/cm^3 or less. In particular embodiments, the low-density powder may have a density of about 0.5 g/cm^3 or less. The term "unit density dry powder" means dry powders having a density of about 1 g/cm^3 . The term "medium density dry powder" means dry powders having a density greater than 0.8
10 g/cm^3 and less than or equal to about 1.2 g/cm^3 .

In certain embodiments, during dispensing, the dry powder is formulated as having substantially only one or more active pharmaceutical constituents, substantially without additives, such as excipients. As used herein, "substantially without additives" means that the dry powder is in a substantially pure active
15 formulation with only minimal amounts of other non-biopharmacologically active ingredients. The term "minimal amounts" means that the non-active ingredients may be present, but are present in greatly reduced amounts, relative to the active ingredient(s), such that they comprise less than about 10%, and preferably less than about 5%, of the dispensed dry powder formulation, and, in certain embodiments, the
20 non-active ingredients are present in only trace amounts.

In any event, individually or unit dose dispensable quantities of dry powder formulations can be a single ingredient or a plurality of ingredients, whether active or inactive. The inactive ingredients can include additives added to enhance flowability or to facilitate nebulization delivery to the desired systemic target. The dry powder
25 drug formulations can include active particulate sizes that vary. The device may be particularly suitable for dry powder formulations having particulates which have particle sizes that on average are less than about $50 \mu\text{m}$, and that are typically in the range of about $0.5\text{-}50 \mu\text{m}$. In certain embodiments, the dry powder formulations have particle sizes in the range of about $0.5 \mu\text{m}$ - $20.0 \mu\text{m}$, and more preferably in the range
30 of about $0.5 \mu\text{m}$ - $8.0 \mu\text{m}$. The dry powder may be a respirable low-density dry powder having average particle size diameters between about $0.5\text{-}0.8 \mu\text{m}$.

The dry powder formulation can be dispensed alone or also be dispensed to include flow-enhancing ingredients, which typically have particulate sizes that may be

larger than the active ingredient particulate sizes. In certain embodiments, the flow-enhancing ingredients can include excipients having particulate sizes on the order of about 50-100 μm . Examples of excipients include lactose and trehalose. Other types of excipients can also be employed, such as, but not limited to, sugars which are
5 approved by the United States Food and Drug Administration ("FDA") as cryoprotectants (*e.g.*, mannitol) or as solubility enhancers (*e.g.*, cyclodextrine) or other generally recognized as safe ("GRAS") excipients.

Examples of diseases, conditions or disorders that may be treated with dry powders dispensed according to embodiments of the present invention include, but are
10 not limited to, asthma, COPD (chronic obstructive pulmonary disease), influenza, allergies, cystic fibrosis and other respiratory ailments, and diabetes and other related insulin resistance disorders. In addition, dry powder inhalant administration may be used to deliver locally acting agents such as antimicrobials, protease inhibitors, and nucleic acids/oligonucleotides as well as systemic agents such as peptides like
15 leuprolide and proteins such as insulin. For example, inhaler-based delivery of antimicrobial agents such as antitubercular compounds, proteins such as insulin for diabetes therapy or other insulin-resistance related disorders, peptides such as leuprolide acetate for treatment of prostate cancer and/or endometriosis and nucleic acids or oligonucleotides for cystic fibrosis gene therapy may be performed. *See,*
20 *e.g.*, Wolff et al., *Generation of Aerosolized Drugs*, J. Aerosol. Med. pp. 89-106 (1994). *See also* U.S. Patent Application Publication No. 20010053761, entitled *Method for Administering ASPB28-Human Insulin* and U.S. Patent Application Publication No. 20010007853, entitled *Method for Administering Monomeric Insulin Analogs*.

25 Typical unit dose amounts of the dry powder can vary depending on the patient size, the systemic target, and the particular drug. Conventional exemplary dry powder dose amounts of inhalation drugs (with excipients) for an average adult (human) is about 10-30 mg and for an average adolescent pediatric subject is from about 5-10 mg. Exemplary dry powder drugs include, but are not limited to,
30 albuterol, fluticasone, beclamethasone, cromolyn, terbutaline, fenoterol, β -agonists, salmeterol, formoterol, glucocorticoids, and steroids.

In certain embodiments, the administered bolus or dose can be formulated with an increase in concentration (an increased percentage of active constituents) over conventional blends. Further, the dry powder formulations may be configured as a smaller administerable dose compared to the conventional 10-25 or 30 mg doses. For example, each unit dry powder dose may be on the order of less than about 60-70% of that of conventional doses. In certain particular embodiments, the unit dry powder dose, such as those used in inhalers, an adult dose may be reduced to under about 15 mg, and may be between about 10 μ g-10mg, typically between about 50 μ g-10mg. The active constituent(s) concentration may be between about 5-10%. In other embodiments, active constituent concentrations can be in the range of between about 10-20%, 20-50%, or even larger. In particular embodiments, such as for nasal inhalation, target dose amounts may be between about 12-100 μ g.

Turning now to **Figure 1A**, a portion of a dispensing system **10** is shown. The system **10** comprises a dispensing hopper **25** with a dispensing port **25p**. A quantity of a dry powder **15** can be disposed in the hopper **25** for dispensing. As used herein, the term "dry powder" is used interchangeably with "dry powder formulation" and means the dry powder can comprise one or a plurality of constituents or ingredients with one or a plurality of (average) particulate size ranges. The dry powder may be a dry powder with cohesive or agglomeration tendencies. As is also shown, the dispensing system **10** also comprises a non-linear signal generator **20** that is operably associated with the hopper **25**. The non-linear signal generator **20** is configured to generate a vibratory signal **20s** that facilitates the flowable dispensing of the dry powder **15**. The hopper **25** and port **25p** define a flow path for the dry powder **15**. An axis **25a** extends vertically axially through the port and hopper, **25p**, **25**, respectively. The system **10** may include a valve **25v** operably associated with the port **25p** to controllably and/or selectively open and close the port **25p** (and, thus, the dry powder flow path) during operation.

As shown, the signal generator **20** may be operably associated with a control module **21**. The signal generator **20** may be configured to transmit the vibratory energy either locally to a limited site (shown as position "A" with lateral arrows representing lateral movement) or distributed along a major portion of the length of the hopper **25** (shown by space "B" with a plurality of distributed arrows along a portion of the wall **25w** of the hopper **25**).

Figure 1B illustrates examples of operations that may be used to dispense dry powder according to embodiments of the present invention. A powder-specific dry powder vibratory energy signal can be generated (**block 100**) (corresponding to the particular dry powder being currently dispensed). The system can be configured to generate multiple different signals (**block 115**), and, as such, the signal generator can be adjusted to output the particular signal corresponding to the dry powder then being dispensed. The powder specific vibratory signal may be a non-linear signal comprising a plurality of selected frequencies (**block 110**). The non-linear signal can fluidize the powder in such a way that a powder "flow resonance" is generated allowing precision flowable dispensing and/or reducing, inhibiting and/or preventing agglomeration.

In particular embodiments the signal generator **20** can include a transducer that is driven by an amplifier to provide the vibratory input. The transducer can be driven to have relatively small amplitude output such as about 100 mm or less, typically less than 10 mm, and in certain embodiments, about 1 mm or less. In other embodiments, the signal generator **20** can be configured to force the hopper or other portion of the flow path (whether wall, outer perimeter of the device itself or other component which transmits the vibratory energy to the dry powder) to move, deflect and/or vibrate with relatively small amplitudes of less than about 1 mm. In certain embodiments of systems that employ at least one transducer, the transducer may be driven with low energy such as less than about 100 mW.

In particular embodiments, the signal can be configured to generate a downwardly oriented force vector on the dry powder during flow that can increase the apparent bulk density of the dry powder to simulate or cause the dry powder to flow in a substantially uniform fluid-like manner.

Again referring to **Figure 1B**, successive metered quantities of dry powder can be dispensed using the corresponding powder-specific signal (**block 120**). The successive quantities of dry powder can be captured in a desired receiving member (**block 130**). The vibratory signal may be a low energy signal. In the past, other attempts for fluidization use either airflow or vibration with linear frequencies that may cause aggregation. For example, in the past, others have proposed uniform frequency systems (using vibrating orifices, ultrasonic systems, and the like) to generate sinusoidal, square, or other uniform (period/cycle) signals.

The powder can be dispensed into suitable receiving members, whether bulk reservoirs, unit dose blister packages or capsules, and the like. The dry powder can be a low-density pharmacologically active dry powder (**block 122**). The meted quantity can be unit dose amounts of less than about 15mg, with a dose-to-dose variability of less than about 5-10% (**block 124**). In certain embodiments, the variability can be less than about 2%. The amount of dispensed dry powder can be dispensed in a time-controlled manner (**block 131**) rather than requiring volumetric dispensing as with conventional protocols.

Figure 1C illustrates one method of controllably filling meted amounts of low-density dry powder. The dry powder flows through a dispensing port (**block 160**) and the dispensing port is selectively opened and closed at predetermined times to control the amount of time the flow path is open and, thus, the amount of dry powder dispensed (**block 165**). The dispensing port may be configured to yield unit dose amounts of less than about 15mg (**block 166**). The time-controlled dispensing port may be operated to yield precision-meted amounts of dry powder in doses under 10mg, and in certain embodiments between about 10 μ g-1mg. The term "precision" means less than about 5% variation from a planned dose amount, and/or dose to dose, and may be less than about 2% variation.

The dispensing head may be held in a static position with respect to an underlying dispensing location. As such, the underlying receiving member may be on a moving surface (such as a conveyor with a controlled conveyor speed) that causes a different receiving member or location to be placed under the dispensing port at each open interval for successive automated filling. In other embodiments, the dispensing port can be placed on a moveable head with the receiving member(s) static, and the head can be translated to overlie different receiving regions at different dispensing times.

Figures 2A-2C illustrate three different dry powders **15₁**, **15₂**, **15₃**, each of which can be analyzed and/or characterized (**20ch₁**, **20ch₂**, **20ch₃**, respectively). Custom or corresponding individual (non-linear) input signals with frequencies selected from the corresponding characterization that are specifically targeted to that dry powder to facilitate fluidic flow during dispensing can be determined for each dry powder **15₁**, **15₂**, **15₃**. The drug-specific signals are shown by the signals **20s₁**-**20s₃**.

The signal generator 20 (Figure 1A) may be programmed with a plurality of predetermined different signals 20s, or if a manufacturing apparatus dispenses only a single dry powder, the signal generator 20 may be programmed with a single signal 20s. Appropriate powder-specific signals can be determined experimentally and/or computationally at an OEM or evaluation site and forwarded to be input onto dispensing systems at selective use sites (via computer program code that direct the generation of the fluidic flow promoter signal).

Figures 3A-3E illustrate an example of operations that may be carried out to generate a dry powder-specific signal. A microflow analysis of the dry powder to be dispensed can be performed to assess avalanching flow profiles and/or other suitable mass/time flow profiles. The analysis can be carried out to select predominant oscillatory frequencies for a particular dry powder that, when applied to the powder during flowable dispensing, can promote uniform mass flow to achieve a fluid-like flow, even for low-density dry powders.

Methods and devices for analyzing rapid powder flow measurement are described in Crowder et al., *Signal Processing and Analysis Applied to Powder Behavior in a Rotating Drum*, Part. Part. Syst. Charact. 16, 191-196 (1999); Crowder et al., *An instrument for rapid powder flow measurement and temporal fractal analysis*, Part Syst Charact 16, pp. 32-34, (1999); and Morales-Gamboa, et al., *Two dimensional avalanches as stochastic Markov processes*, Phys Rev. E, 47 R2229-2232 (1993). See also, Ditto et al., *Experimental control of chaos*, Phys. Rev. Lett., 65: 3211-3214 (1990); B. H. Kaye, *Characterizing the Flow of Metal and Ceramic Powders Using the Concepts of Fractal Geometry and Chaos Theory to Interpret the Avalanching Behaviour of a Powder*, in T.P. Battle, H. Henein (eds.), *Processing and Handling of Powders and Dusts*, The Materials and Metals Society, 1997; B. H. Kaye, J. Gratton-Liimatainen, and N. Faddis. *Studying the Avalanching Behavior of a Powder in a Rotating Disc*, Part. Part. Syst. Charact. 12:232-236 (1995), and Ott et al., *Controlling Chaos*, Phys. Rev. Lett. 64: 1196-1199 (1990). Using the principals and relationships described in one or more of these articles with signals derived from analyses of mass flow and/or microflow, one can determine custom powder specific signals that may be able to achieve uniformly flowing dry powders.

As shown in **Figure 3A**, the time between avalanches, for a particular dry powder of interest, may be evaluated experimentally using a rotating drum. This time information may be converted to frequency space (frequency domain) as shown in **Figure 3B**. **Figure 3C** illustrates that a distribution of frequencies $20f$ can be
5 determined (computationally or via computer models). Then, a desired number of selected frequencies can be identified. The frequencies selected may span a desired statistically significant percentage of the distribution or be the frequencies most observed in the analysis spectrum. The term "most observed" means those frequencies occurring the greatest number of times in the distribution. For example,
10 the number of different frequencies selected may be at least the three most observed different frequencies and/or sufficient frequencies to represent at least about 50% of the distribution. In certain embodiments, the number can be at least about 5, and typically about 6, or a number sufficient to represent at least about 75% of the frequency distribution. To select the number, two, three or four or more of the most
15 observed frequencies can be used to form the vibration signal. The results can be analyzed experimentally and additional frequencies may be added to the combined non-linear signal to improve fluidic flow performance.

Figure 3D illustrates that six of the most observed frequencies $20f_1-20f_6$, in the distribution plot $20f$ can be selected. **Figure 3E** illustrates that the selected
20 frequencies can be superimposed to generate a single superposition signal (that may also include weighted amplitudes for certain of the selected frequencies or adjustments of relative amplitudes according to the observed frequency distribution). Thus, **Figure 3E** illustrates a derived non-linear oscillatory or vibratory energy signal that may be used to dispense a particular dry powder.

25 Referring again to **Figure 3D**, the signal can be created digitally by computer code means employing mathematical or numerical computation techniques and relevant equations. For example, for a signal $20s$ having representative frequencies " f_{1-n} ," the cumulative signal x_{signal} ($20s$, **Figure 3D**) can be generated include a plurality of signal components, xf_1-xf_n (shown as $20f_1-20f_n$ in **Figure 3D**) at each
30 desired frequency, f_n , each component having an amplitude "a" at its frequency as described below. Using the spectrum shown in **Figure 3D** noting that the most observed frequency in **Figure 3D** is $20f_3$, the following equations may be used to generate the non-linear signal.

For an index, "n" ranging from 0-15,999, used to generate the digital signal:

$$n = [0:15999] \quad \text{Equation (1)}$$

$$xf_3 = \sin(2\pi n / 16000) \quad \text{Equation (2)}$$

$$5 \quad xf_2 = af_2 \sin(2\pi n (f_2) / 16000(f_3)) \quad \text{Equation (3)}$$

$$xf_4 = af_4 \sin(2\pi n (f_4) / 16000(f_3)) \quad \text{Equation (4)}$$

This evaluation can be continued for a desired number of frequencies to render a representation of a sufficient number of frequencies /spanning a sufficient portion of the spectrum. The powder-specific, non-linear signal can be generated by summing the selected individual frequency components.

$$x_{\text{signal}} = xf_3 + xf_4 + xf_4 \dots \quad \text{Equation (5)}$$

15 In certain embodiments, the overall power in the signal, x_{signal} , can be increased by adding a phase shift to one or more of the summed components. For example, for component xf_2 , the associated signal contribution can be adjusted by the following equation:

$$20 \quad xf_2 = af_2 \sin(2\pi n (f_2) / 16000(f_3) + m\pi / n_f) \quad \text{Equation (6)}$$

Where "m" is the number at this frequency and n_f is the total number of frequencies contained in the signal.

Figure 4 illustrates an example of an amplitude-modified vibratory signal of a dry powder that can include a kHz carrier frequency (such as between about 5kHz-50kHz) modified by low modulating frequencies (typically between about 10-200Hz) that may be generated by certain embodiments of the present invention. The vibration signal may include a plurality of frequencies (applied serially or concurrently in a superimposed manner) that are selectively applied to the dry powder formulation flowing through a hopper and/or nozzle so that it is modified to match or correspond to the flow characteristics of the dry powder formulation to reliably induce a fluid flow state to promote uniform non-aggregated flow.

An example of a commercially available rotating drum is the TSI Amherst Aero-Flow™ (TSI Inc. Particle Instruments/Amherst, Amherst, MA). This device provides powder flow information by detecting the occurrence of and recording the time between avalanches. The Aero-Flow™ has been utilized to demonstrate correlation between powder flow and tableting performance for like materials. The instrument uses a photocell detector for its avalanche detection mechanism. A light shines through the Plexiglas drum and is obscured from the detector to varying degrees by powder contained in the drum. As the drum rotates, the powder heap rises with the rotation and the photocell detector is uncovered. When an avalanche occurs in the powder heap, the light is again blocked by the cascading powder. The change in light intensity striking the photocell is interpreted by the data collection software as the occurrence of an avalanche. In other embodiments, the powder can be evaluated to determine and/or measure avalanches using a sensitive microphone/accelerometer that can be mounted on the rotating drum. Avalanches can be determined acoustically from the sound generated by the avalanching powder. This evaluation technique may allow for reduced amounts of the dry powder that is desired for use during the avalanche evaluation to milligram quantities, such as about 10 mg or less. In any event, statistics of the time between avalanches can be determined and an avalanche time phase space plot can be generated.

A useful method of presenting data to discover the dynamics of a system is the Poincaré phase space plot. This phase space approach is one in which variables sufficient to describe a system are contained in a single vector. The state of the n variables at an instant in time is a point in phase space. Plotting the time evolution of the system in phase space can map its dynamics. As an example, a simple harmonic oscillator can be pictured in phase space by plotting the position versus the velocity, variables that completely describe the system. The phase space plot of the harmonic oscillator is a circle reflecting the periodic, but 90-degrees out of phase, exchange of maximum position and velocity. A damped harmonic oscillator would appear as a simple attractor with the trajectory encircling and eventually collapsing to the origin as the position and velocity reach zero. The correlation dimension provides a measure of the space filling properties of the phase space representation. A hypersphere of dimension D and radius r is centered on each data point. The number of data points

falling within that sphere as a function of the radius may be displayed in a log-log plot. The slope of the resulting line may be termed the correlation dimension.

To determine an appropriate vibration signal, a suitably sized dry powder sample can be disposed in the drum (such as about 60 ml of powder). The drum can
 5 be allowed to rotate through a single revolution before data collection begins so that initial conditions over several powders are similar. The drum can be rotated at 0.5 revolutions per minute for 6 minutes. The photocell voltage signal can be sampled at 25 Hz using a PC based data acquisition board (DI-170, Dataq^{*} Instruments, Akron OH). Time between avalanches and the voltage change upon avalanching can be
 10 acquired from the voltage signal. A video camera can be situated perpendicular to the drum can record the powder as it rotates in the drum. A grid can be placed behind the drum, without obscuring the photocell, to facilitate determination of the angle of the powder relative to the horizontal. Upon viewing the video, the base and height of the powder heap can be recorded and the angle can be determined using the trigonometric
 15 relation, $\theta = \arctan(\text{height}/\text{base})$. Determinations of the instantaneous powder angle can be performed at 200 millisecond intervals. This rate corresponds to every sixth frame of the video, determined previously by recording the counting of a stopwatch.

Angle data time series can comprise at least about 500 data points or 100 seconds. Computation of a Fourier power spectrum can be performed using the
 20 Welch method with a 128 point Kaiser window and zero padding to 1024 data points for the FFT calculation. Other suitable methods can be employed as is known to those of skill in the art.

The avalanche statistics can be presented in terms of the mean and standard deviation of time between avalanches. A phase space plot can be generated by
 25 plotting the n^{th} time to avalanche against the $(n-1)^{\text{th}}$ time to avalanche. For the angle of repose, phase space plots consist of the instantaneous deviation from the mean angle versus the first time derivative of the angle. The rate of change of the angle at each data point can be approximated from the preceding and subsequent data points using Newton's method.

30 The uniformity of flow can be discerned by examining the frequency and the amplitude of the oscillations. Certain dry powder signals may exhibit a higher degree of variability in frequency and in amplitude relative to others. By use of the Fourier transform (FT) power spectrum, energy distributions can be obtained. Energy

*=Trademark

spectrums that are dispersed over a range of frequencies can indicate more irregular flow. The mean time to avalanche can be subtracted from the instantaneous time to avalanche to deconvolute relevant frequency data in angle phase space plots.

Identifying the predominant frequencies and selectively combining and/or using those
5 identified frequencies as the basis of the transmitted vibration energy excitation signal may induce resonance in the dry powder during dispensing.

Other analysis methods and apparatus can be employed. For example, as shown in **Figure 13**, an example of one apparatus that is configured to allow adjustment of the excitation signal and/or angle of flow for a powder under
10 evaluation, can be used and the adjustments altered until reliable fluidic flow is output. The operational parameters determined in that manner can be used to define the non-linear customized fluidic flow signal for dispensing that powder. The apparatus shown in **Figure 13** may also be used during active dispensing using one or more of the devices (depending on the desired delivery capacity). This apparatus will
15 be discussed further below.

Referring back to **Figure 1A**, the vibratory energy signal **20s** can be generated and applied to the dry powder **15** so that the dry powder is exposed to a force vector having a downward orientation F_v as it travels through a portion of the hopper **25** and exits the dispensing port **25p** (in the same direction as F_g). During dispensing, the
20 apparent bulk density of the dry powder can be temporarily increased over its real bulk density without (irreversibly) aggregating the dry powder thereby allowing the dry powder to flow in a more uniform fluid like manner. The non-linear vibration energy signal may be supplemented by other vibration energies as will be discussed further below.

25 In certain embodiments, the signal **20s** and/or the vibration of the energy transmitting surfaces in the channel **25** may concurrently or successively rapidly vibrate the dry powder at a plurality of different frequencies (at similar or different amplitudes) in the range of between about 10 Hz-1000 kHz. In certain embodiments, the frequencies are between about 10-200 Hz, such as 10-60 Hz. In other
30 embodiments, they may be in the range of between about 7kHz-100 kHz, such as 7.5kHz or more such as frequencies between about 15 kHz to 50 kHz.

The vibration signal **20s** can be generated by any suitable vibratory source, including electrical means, mechanical means, and/or electro-mechanical means.

That is, at least a portion of the hopper 25 can be (physically) translated by and/or in a predetermined non-linear vibration imparting motion to impart a downwardly oriented force vector F_v using powder specific signals. Examples of vibratory sources include, but are not limited to, one or more of: (a) ultrasound or other acoustic or sound based sources (above, below or at audible wavelengths) that can be used to instantaneously
5 apply non-linear pressure signals onto the dry powder 15; (b) electrical or mechanical deflection of the sidewalls of the hopper or dispensing port 25p; (c) movement of the hopper 25 or portions thereof (such as, but not limited to, physically moving and/or deflecting portions such as solenoids, piezoelectrically active portions and the like)
10 non-linearly about the axis 25a (comprising one or more of selectably controllable amounts of travel in the horizontal, vertical, and/or diagonal directions relative to the flow path axis 25a); and (d) oscillating or pulsed gas (airstreams), which can introduce changes in one or more of volume flow, linear velocity, and/or pressure. Examples of mechanical and/or electro-mechanical vibratory devices are described in
15 U.S. Patent Nos. 5,727,607, 5,909,829 and 5,947,169.

Referring again to **Figure 1C**, in certain embodiments, at least a portion of the length of the hopper walls 25w (either an inner, outer or intermediate surface) may be formed of a piezoelectrically active material so that application of a (non-linear) powder specific voltage signal generates (non-linear) flexure of the wall 25w which
20 can be transmitted to the dry powder 15 during dispensing. The piezoelectric material may be ceramic or an elastomeric (such a polymer and/or copolymer based) material. If the piezoelectric material is located on an outside or inner surface, the surface may be configured to transfer the energy to the dry powder while inhibiting loss of the strength of the signal. In other embodiments, the inner surface may be configured to
25 actually amplify the signal while in yet other embodiments, the signal takes into account the loss of the transmission through intermediate mediums and materials.

Figure 5A illustrates that a major portion of the length of the walls 225w that define the interior chamber of the hopper 25 can be piezoelectrically active. In other embodiments selective portions (illustrated by the cross hatch markings in **Figure 5A**)
30 can be formed to be piezoelectrically active. The selective portions may be continuous or segmented and spaced apart along the hopper 25. In certain embodiments, a series of radially and/or longitudinally spaced apart portions, other

flow channel portions, or substantially the entire perimeter of a flow channel, can be made to be piezoelectrically active.

In addition, to increase the piezoelectric active surface area, at least one interior component 225a that comprises piezoelectric material can be disposed in the flow path. The interior component 225a may have a planar, spherical, cylindrical, or any other desired configuration. It may be fixed in the cavity of the hopper so that it is held in a static vertically position or may be dynamically mounted in the cavity. The entire perimeter of the interior component 225a may be active and able to flex, or selective portions or sides may be configured to flex. The interior component 225a may be rotatable or translatable (up, down, angularly, and the like) while also being able to flex in response to applied voltage or current. The interior component 225a and the walls 225w may be controlled by a single signal generator. Different signals, including signal line shapes, amplitudes of voltages, and the like may be applied at different locations so that the non-linear vibratory energy is cumulatively effectively transferred to the dry powder to facilitate fluid flow. In other embodiments, reciprocating voltage signal patterns or signals may be used (on opposing wall segments or between the intermediate component and a facing wall) to amplify the vibratory signal.

The signal 20s can be influenced by the amount of active surface and the excitation voltage pulses applied thereto as well as the channel geometry. During dispensing, the hopper channel can be vibrated by providing a voltage across the piezoelectric layer. In certain embodiments, the voltage provided may be at about 100-200 volts peak-to-peak. In other embodiments, the voltage can be applied at a different level and at other various frequencies, such as at a higher frequency of between about 25kHz to about 2MHz.

In certain embodiments, the piezoelectric material, shown generally as element 225w in Figure 5A can be formed from a piezoelectrically active material such as PVDF (known as KYNAR^{*} piezo film or polyvinylidene fluoride) and its copolymers or polyvinylidene difluoride and its copolymers (such as PVDF with its copolymer trifluoroethylene (PVDF-TrFe)). The piezoelectric material can be a thin flexible layer or film. The term "thin film" typically means that the layer has a thickness that is less than about 200 microns thick, and more typically less than about 100 microns thick (such as about 28 microns).

Non-vibratory insulating material (such as neoprene) can be disposed to hold the polymer and/or copolymer which can increase the interchange between the dry powder and the piezoelectric material; this may increase the amount of energy transferred to the dry powder from the oscillating or vibrating active piezoelectric polymer film so as to cause the dry powder to vibrate at a frequency that is at or near a resonant frequency thereof. In certain embodiments, laminates of one or more layers of PVDF and other material layers can be used. Suitable laminates include, but are not limited to, thin film layers of PVDF united to thin layers of one or more of aluminum, PVC and nylon films. The aluminum may help the channel hold its desired shape. The PVDF may form the bottom, top or intermediate layer of the laminate structure. For intermediate layer configurations, vias and/or edge connections can be used to apply the electric excitation signal.

In other embodiments, the piezoelectrically active material can be a ceramic. Examples of piezo-ceramic materials and elements are available from EDO Corporation, Salt Lake City, Utah. Generally described, piezoceramic materials can produce motion by receiving electric potential across their polarized surfaces. Other piezo-electric materials can also be employed as long as they have sufficient structural rigidity or strength (alone or applied to another substrate) to provide the desired vibratory motion for the dry powder.

In certain embodiments, the hopper 25 can be shaped and/or sized to define a resonant chamber or cavity to generate a desired frequency of oscillation of the piezoelectric material and/or a particular dry powder formulation. That is, each blend or formulation of dry powder may exhibit different flow characteristics that can be accounted for in the geometry design of the hopper 25 and/or the applied signal. The height, depth, length, or width of the hopper flow path channel may be adjusted based on the particular drug or dry powder being administered.

Metal trace patterns, where used, can be provided by applying a conductive pattern onto one or more of the outer faces of the piezoelectric substrate layer. For depositing or forming the metal, any metal depositing or layering technique can be employed such as electron beam evaporation, thermal evaporation, painting, spraying, dipping, or sputtering a conductive material or metallic paint and the like or material

over the selected surfaces of the piezoelectric substrate (preferably a PVDF layer as noted above). Of course, alternative metallic circuits, foils, surfaces, or techniques can also be employed, such as attaching a conductive mylar layer or flex circuit over the desired portion of the outer surface of the piezoelectric substrate layer.

5 Generally described, for piezoelectric polymer materials, inner and outer surface metal trace patterns can be formed on opposing sides of the piezoelectric polymer material in a manner that provides separation (the opposing traces do not connect or contact each other). For example, conductive paint or ink (such as silver or gold) can be applied onto the major surfaces of the package about the elongated
10 channels and associated metal traces such that it does not extend over the perimeter edge portions of the piezoelectric substrate layer, thereby keeping the metal trace patterns on the top and bottom surfaces separated with the piezoelectric substrate layer therebetween. This configuration forms the electrical excitation path when connected to a control system to provide the input/excitation signal for creating the
15 electrical field that activates the deformation of the piezoelectric substrate layer during operation. The excitation circuit configuration can be such that the upper trace operates with a positive polarity while the lower trace has a negative polarity or ground, or vice versa (thereby providing the electric field/voltage differential to excite the piezoelectric substrate). Of course, the polarities can also be rapidly reversed
20 during application of the excitation signal (such as + to -, or + to -) depending on the type of excitation signal used, thereby flexing the piezoelectric material in the region of the receptacle portion. For a more complete discussion of the active excitation path or configuration as used in forming blister packages, see International PCT publication WO 01/68169. In addition, the piezoelectric polymer material may be configured as
25 two sandwiched piezoelectric polymer film layers separated by an intermediately positioned pliable core, all of which are concurrently deformable by the application of voltage thereacross.

Figure 5B illustrates an alternate embodiment of the present invention. In this embodiment, the bulk density of the dry powder is (temporarily) increased along the
30 flow path during the flowing dispensing operation. As shown, the hopper 25 includes a permeable member 325 that forms a portion of the wall segment in the flow path.

The bulk density $15\rho_1$ of the dry powder 15 above this segment is reduced (shown by fewer numbers of spaced apart particles) to the bulk density below or at this segment $15\rho_2$ (shown by a condensed or increased concentration of particles). The permeable member 325 is configured to receive pressurized gas at a first wall inlet region 325i and expel it at an egress portion 325e across from the receiving region 325i so that the forced gas travels across the dry powder and flow path as the dry powder is dispensed vertically at the port 25p. The pressure of the forced gas flow is higher at the inlet region than at the egress or outlet region 325e. This cross-travel provides a pressure drop that slightly compresses the dry powder to increase the apparent bulk density (making it heavier with a larger downwardly oriented Fv) to facilitate metered dispensing. In certain embodiments, the permeable member 325 is configured to direct an exogenous pressurized gas (such as air) to flow at substantially 90 degrees across the flow path while the dry powder is flowing downwardly in a manner that inhibits aggregation. This can temporally compress the dry powder to increase the bulk density of the dry powder.

The permeable member 325 can define a portion of the wall 325w of the flow path to provide a substantially continuous contour inner wall. The inlet region 325i and outlet region 325e may be horizontally symmetrically disposed about the axis of the flow path 25a (as shown) or may be vertically offset (not shown), such as with the egress portion below the inlet portion. In any event, the permeable member 325 is configured to generate a predominantly cross-flow forced air pattern. The desired entry pressure and pressure drop can be selected as a function of particle size, size distribution, porosity, and apparent density. In certain embodiments, the pressure can be provided at between about 1.10^{-5} atm and the pressure drop across the flow path (measured at the exit or egress region) can be less than 10-20%. In certain embodiments, the bulk density may be increased by about 10-100%.

In certain embodiments, the permeable member 325 can be a filter or stainless steel frit that is sized and configured to allow gas or air flow thereacross with a pore size that inhibits dry powder from exiting from same when exposed to the pressurized gas cross-flow. Other suitably configured materials and structures may also be used. Preferably, the permeable member 325 and the components defining the dry powder contact surfaces in the flow path of the dispensing system 10 are configured to dispense *in vivo* biocompatible formulations and to withstand periodic sterilization

cleaning procedures. In other embodiments, portions of the flow path may be disposable after dispensing a suitable number of doses to promote anti-aggregation improved flow and/or reduced-maintenance systems.

In certain embodiments, multiple vibratory inputs can be employed
5 concurrently, alone or in combination with the non-linear sources. Thus, for example, the hopper and dispensing port have an associated axis extending along the gas flow path and the system can include a translation mechanism that moves at least a portion of the hopper in a desired motion, such as an eccentric motion, so that at least a portion of the hopper oscillates relative to the axis and, in operation, generates a force
10 with a downward force component or vector that is transmitted to the dry powder during dispensing. In other examples, a portion of the hopper 25 (and/or each individual dispensing head 425h, see Figure 9) may be exposed to centrifugal acceleration or other suitable motion to impart an angular velocity onto the dry powder held therein, thereby introducing downward force vectors, F_v , onto the dry
15 powder during flow to compress the powder bed to increase the apparent bulk density and inhibit aggregation without requiring evacuation of the flowing (low density) powder.

Figure 6 illustrates that the dispensing system 10 can be configured to operate with both non-linear vibration energy and centrifugal motion 20m (represented by the
20 arrows dispersed about the axis 25a). The motion may be accomplished by moving, or oscillating, the hopper 25 about its axis 25a. In operation, the motion 20m can generate a force with a downward force component or vector that is transmitted to the dry powder during dispensing.

Figure 7 illustrates one embodiment whereby local non-linear vibration
25 energy can be applied to the dry powder 15. As shown, the hopper 25 includes a head portion 25h with an insert 31 held therein. The insert 31 can be configured as an elongated insert that is held in the flow path in the hopper 15 such that the insert 31 is pivotally and/or floatably held in the flow path and extends a distance out of the dispensing port 25p and rotates relative to the hopper 25 and the axis 25a during
30 dispensing to transmit directional acceleration to particles of the dry powder 15. The dry powder 15 may be dispensed through the end portion of the insert 31. Figure 8 illustrates that the insert 31' can be configured to define a flow path 25f and a dispensing port that is translated in a predetermined motion 20s about the axis 20a,

during operation. In other embodiments, the insert 31, 31' may comprise outwardly extendable members that move up and down corresponding to their speed of translation (not shown).

In any event, the insert 31, 31' can be translated and/or oscillated with a
5 selected motion that has an associated non-constant period or periods, or may have a cyclical constant period or periods. The insert 31, 31' may be oscillated relative to the axis 25a to generate a force with a downward component or vector F_v that is transmitted to the dry powder 15 during dispensing. The insert 31, 31' may also
10 comprise portions formed of piezoelectrically active material that can be excited to generate vibration energy.

Figure 9 illustrates yet another embodiment of a dispensing system 10. As shown, the system 10 includes a hopper 25 that is sized and configured as a central hopper 425 that feeds a plurality of dispensing heads 425h. Vibration energy can be applied to a rack of heads, filling from a single hopper 425h. The central hopper can
15 be translated back and forth in non-linear or linear manner to vibrate the contents thereof (the motion shown by arrows and element number 425m). The individual heads 425h can also be translated (rotated about the axis or moved up, down, diagonally, or otherwise) in a desired linear or non-linear manner. In particular embodiments, the heads 425h may be translated to generate an angular velocity that is
20 sufficient to give directional acceleration to the particles. The extremes of motion or travel of the hopper 425 and/or the heads 425h may be very small, particularly when carried out at high frequencies. Thus, it is contemplated that the vibration generation energy output can employ a high frequency motion applied onto a selected portion of the hopper 425, with the outer bounds of the physical motion of the hopper being
25 small. The term "high frequency" means frequencies in the range of between about 1 kHz-1000 kHz, typically at between about 10-100 kHz with the small bounds of travel including movement in the range of between about 50-500 mm, and typically about 10-100 mm, or even less.

Figure 10A illustrates a dispensing system 10 that cooperates with a sheet of
30 receiving substrate material 500 that employs elastomeric piezoelectrically active material that can be used to measure small meted quantities of dry powders 15. As described for the piezoelectric material for the hopper 25 above, the piezoelectrically active substrate 500 can include a PVDF material. The PVDF material can be treated

to have a metallic pattern **500e** that can detect changes in a desired electrical parameter. One unitary sheet can be used with electrically isolated individual dose regions **500d** or separate sheets can be used for each dose (not shown). The sheet **500** can be held in tension (along the length and/or width of the sheet) while a quantity of dry powder **15** is dispensed thereon. The tensioning may be provided by wrapping opposing end portions about tensioning bars that can be adjustably rolled to provide the desired tension. In other embodiments, the tensioning can be provided by tenting end portions of the sheet **500** over spaced apart structural members that may include a center support member (not shown). The sheets may have self-tensioning members that are portable therewith or tensioning members that are affixed to a conveying surface. Other tensioning mechanisms can also be employed as will be appreciated by one of skill in the art. Standard weighing techniques well known to those of skill in the art may also be used to determine the weight of the dispensed dose(s).

An alteration in a selected monitored electrical parameter that is induced by the weight residing on a dose region can be detected and a meted mass calculated by the amount of shift. The shift may be measured in a relative (pre and post change) or absolute amount (defining a pre-amount by a calibration number).

A detection system **510** can be configured to serially engage the dose regions on the sheet **500** or to simultaneously engage all of the dose regions and selectively activate the detection to measure the desired location. The detection system **510** can be in communication with the dispensing system control system to provide dynamic real-time feedback data regarding the meted quantity that can be used to control the operation of the dispensing system. The data may be used to control the open time of gated flow paths that can be controlled to mete the desired amount. Over or under amounts, or departures from predetermined variability levels, may be indicated when detected.

The detection system **510** may be configured to detect a change in capacitance or to obtain a plurality of voltage values (which may be transient) over time, during dispensing. Alternatively, the detection system **510** may be configured to detect after the dispensing. The induced change in the selected parameter or parameters is generated by the flexure or strain associated with the downwardly generated force associated with the weight of the dry powder on the stretched (tensioned) piezoelectrically active foil region **500d**. Thus, the capacitance change and the like

correspond to the deposited weight. The signal may be used to weigh or measure masses in the range of under about 30mg, and preferably under about 15mg, and still more preferably in the range of between about 10 μ g-10mg. Other electrical parameters may also be used such as, but not limited to, resonant frequency, and the like. Using the resonant frequency and/or capacitance parameter may provide increased sensitivity or resolution.

Figure 11 is a block diagram of exemplary embodiments of data processing systems that illustrates systems, methods, and computer program products in accordance with embodiments of the present invention. The processor **410** communicates with the memory **414** via an address/data bus **448**. The processor **410** can be any commercially available or custom microprocessor. The memory **314** is representative of the overall hierarchy of memory devices containing the software and data used to implement the functionality of the data processing system **405**. The memory **414** can include, but is not limited to, the following types of devices: cache, ROM, PROM, EPROM, EEPROM, flash memory, SRAM, and DRAM.

As shown in **Figure 11**, the memory **414** may include several categories of software and data used in the data processing system **405**: the operating system **452**; the application programs **454**; the input/output (I/O) device drivers **458**; the powder specific (vibratory) signal generator module **450**; and the data **456**. The data **456** may include a plurality of dry powder data **451** corresponding to particular or target signal parameters for each dry powder, which may be obtained from an operator or stored by the dispensing system **420** and/or timing data that defines the meted dose amounts, flow rates, and open time for the dispensing port (allowing automatic control of the dispensing operation, dependent on the dry powder being dispensed). As will be appreciated by those of skill in the art, the operating system **452** may be any operating system suitable for use with a data processing system, such as OS/2, AIX, OS/390 or System390 from International Business Machines Corporation, Armonk, NY, Windows CE, Windows NT, Windows95, Windows98 or Windows2000 from Microsoft Corporation, Redmond, WA, Unix or Linux or FreeBSD, Palm OS from Palm, Inc., Mac OS from Apple Computer, LabView, or proprietary operating systems. The I/O device drivers **458** typically include software routines accessed through the operating system **452** by the application programs **454** to communicate

with devices such as I/O data port(s), data storage 456 and certain memory 414 components and/or the dispensing system 420.

The application programs 454 are illustrative of the programs that implement the various features of the data processing system 405 and preferably include at least one application which supports operations according to embodiments of the present invention. Finally, the data 456 represents the static and dynamic data used by the application programs 454, the operating system 452, the I/O device drivers 458, and other software programs that may reside in the memory 414.

While the present invention is illustrated, for example, with reference to the powder-specific signal generator module 450 being an application program in Figure 11, as will be appreciated by those of skill in the art, other configurations may also be utilized while still benefiting from the teachings of the present invention. For example, the module 450 may also be incorporated into the operating system 452, the I/O device drivers 458 or other such logical division of the data processing system 405. Thus, the present invention should not be construed as limited to the configuration of Figure 11, which is intended to encompass any configuration capable of carrying out the operations described herein.

In certain embodiments, the powder-specific signal generator module 450 includes computer program code for automatically determining the type of vibratory input desired to generate a non-linear vibratory energy signal directing the selective operation of the vibratory energy in and/or along the flow path according to the dry powder being dispensed.

The I/O data port can be used to transfer information between the data processing system 405 and the dispensing system 420 or another computer system or a network (e.g., an intranet and/or the Internet) or to other devices controlled by the processor. These components may be conventional components such as those used in many conventional data processing systems which may be configured in accordance with the present invention to operate as described herein.

While the present invention is illustrated, for example, with reference to particular divisions of programs, functions and memories, the present invention should not be construed as limited to such logical divisions. Thus, the present invention should not be construed as limited to the configuration of Figure 11 but is

intended to encompass any configuration capable of carrying out the operations described herein.

The flowcharts and block diagrams of certain of the figures herein illustrate the architecture, functionality, and operation of possible implementations of dry powder-specific dispensing and/or vibratory energy excitation means according to the present invention. In this regard, each block in the flow charts or block diagrams represents a module, segment, or portion of code, which comprises one or more executable instructions for implementing the specified logical function(s). It should also be noted that in some alternative implementations, the functions noted in the blocks may occur out of the order noted in the figures. For example, two blocks shown in succession may in fact be executed substantially concurrently or the blocks may sometimes be executed in the reverse order, depending upon the functionality involved.

In certain embodiments, the system 10 can accept user input regarding the type of dry powder being dispensed. The system 10 can be configured to accept manual or electronic input and production batches (with the desired drug to be dispensed) can be identified over a selected period of time and saved for automatic interrogation by the control module upon each new batch, shift, or other desired time interval.

In certain embodiments, the present invention can provide computer program products for operating a flowing dry powder dispensing system having an associated dry powder flow path with a dispensing port and a vibration energy source associated therewith to facilitate fluidic flow. The computer program product can include a computer readable storage medium having computer readable program code embodied in the medium. The computer-readable program code can include: (a) computer readable program code that identifies at least one, and typically, a plurality of different, powder-specific vibration energy signals, (where a plurality of signals is used, there is a respective one for each of the plurality of different dry powders), each of the vibration energy signals corresponding to individually predetermined flow property data of the plurality of dry powders; and (b) computer readable program code that directs the dispensing system to operate using the powder-specific vibration energy signal associated with a target dry powder (which can be selected from a

library of pre-identified selectable versions of the plurality of different vibration energy signals).

In certain embodiments, the powder specific vibration energy signals are non-linear. The computer program code can accept user input to identify the dry powder
5 being dispensed, and computer program code that automatically selectively adjusts the output of the vibration energy signal based on the identified dry powder being dispensed. The vibration energy output signals for the dry powders being dispensed are based on data obtained from a fractal mass flow analysis or other suitable analysis of the different dry powders. The dispensing system and computer controller may be
10 particularly suited to dispense low-density dry powder.

The output signals may be include at least two, and typically a plurality of at least three, superpositioned modulating frequencies and a selected carrier frequency. The modulating frequencies can be in the range noted herein (typically between about 10-500 Hz), and, in certain embodiments may include at least three, and typically
15 about four superpositioned modulating frequencies in the range of between about 10-100Hz, and more typically, four superpositioned modulating frequencies in the range of between about 10-15Hz.

The computer program code can controllably dispenses meted quantities of dry powder independent of volumetric evaluations by considering flow rate of the dry
20 powder out of the dispensing port and controlling the amount of time the dispensing port is open during dispensing.

Figure 12 illustrates operations that can be carried out to evaluate or selected desired dispensing signals and/or system configuration parameters that can then be used to dispense target dry powders according to embodiments of the present
25 invention. These operations can be used to determine the powder specific (vibratory) signal(s) of different target dry powders, the powder specific signal can then be implemented in a vibratory signal generator computer module for operating signal generators for dispensing a dry powder of interest.

As shown in **Figure 12**, a flow channel housing having an angularly
30 adjustable elongate flow channel therein is provided (**block 600**). The orientation of the flow channel is adjusted so that the flow channel is angularly offset (with the dispensing port located lower than the input port) in the axial direction with respect to the horizontal and vertical axis (**block 610**). In certain embodiments, the flow

channel is adjusted to be at different selected angles during the evaluation to consider the impact that the angle may have on the dispensing flow.

A dry powder of interest is introduced into the elongate flow channel (**block 614**). The dry powder can be a low-density dry powder (**block 616**). The flow channel can be vibrated to thereby vibrate the dry powder to cause the dry powder to fluidly flow out of the channel via an exit port (**block 615**). The flow channel can include a flexible piezoelectric polymer over which the dry powder flows; the piezoelectric polymer can be electrically stimulated to flex upwardly to cause it to vibrate the powder as the powder travels along and through the flow channel. As described above, the vibration can be carried out using a non-linear excitation signal having a carrier frequency and a modulation frequency (**block 617**). In certain embodiments, the carrier frequency can be between about 2.5kHz-50kHz and modulation frequency may be between about 10-500Hz. In any event, flow characteristics can be evaluated, typically over several different input signals at different frequencies, and at least one frequency (and/or angular orientation of the flow path) selected for its ability to generate reproducible fluidic flow of dry powder based on the flow characteristics exhibited during the vibrating step (**block 620**).

To generate sufficient flow in the flow channel to allow evaluation and/or reliable dispensing, a dry powder mass input of between about 2-50 mg or greater may be used to provide fluid flow through the dispensing port.

The apparatus can be configured to generate a reproducible flow rate (less than about +/- 10% variation) for dispensing reliable amounts of dry powders. The average flow rate generated for certain low-density dry powders may be in the range of between about 0.001-5 mg/sec. In certain embodiments, the flow rate may be about 0.028 mg/sec. In other embodiments, typically for unit density and/or medium density powders, the flow rates may be greater, such as greater than 5 mg/sec and up to about 50 mg/sec, typically between about 10-30 mg/sec.

Several parameters can influence the dispensing flow rate, such as, but not limited to, the amount (mass) of dry powder input into the flow channel, the angle of the flow channel, the size of certain components, such as the surface area of the piezoelectric material that contacts the dry powder, the channel and/or orifice volumetric size (particularly the depth and width of the channel), the dry powder

itself, as well as the vibratory signal input to excite the powder to move it through the flow channel can influence.

Figure 13 illustrates a dry powder dispensing apparatus **700** that can be used to dispense dry powders. The apparatus **700** can be used at a laboratory and/or
5 research site using flow parameters or signals that can generate fluidic flow for a dry powder of interest. In other embodiments, the apparatus **700** can be used in a scientific, research or small-scale academic and/or commercial program. For example, the device **700** can be used in a drug discovery program or clinical trial application where it is desired to provide or dispense reliable dose amounts without
10 need for mass production ramp-up for scaled commercialization. Thus, the apparatus **700** may be used to provide discrete doses in desired reliable amounts (typically in the 50 μ g-10mg range), but larger or smaller doses can also be provided, typically for drug evaluation, without requiring relatively expensive equipment costs and/or in a manner that is not labor intensive. In other embodiments, the apparatus **700** can be used to
15 develop signals that are matched to a particular dry powder. The signal(s) can then be implemented using the same or a different dispensing apparatus, such as those described above, at any desired dispensing location.

Referring back to **Figure 13**, the apparatus **700** includes a channel member
20 **710**, a cover member **720**, and an intermediately positioned flexible piezoelectric polymer layer **730**. The channel member **710** holds an elongate powder flow channel **710f** that has a depth, width, and length. The piezoelectric polymer layer **730** can be positioned to overlie the channel **710f** and the sidewalls to hold the dry powder as it moves through the flow channel **710f**. Suitable materials for forming the flexible piezoelectric polymer layer **730** can be obtained from Measurement Specialties, Inc.,
25 located in Fairfield, NJ. One example of a suitable material is a 28 micron piezoelectric film sheet, silver ink metallized PVDF, identified as Part No. 1-100-4346-0. The piezoelectric polymer layer can include additional material layers attached thereto and/or coatings disposed thereon.

Figures 14A-14C illustrate one embodiment of a channel member **710**. As
30 shown in **Figure 14A**, the flow channel **710f** has two opposing sides **710w₁**, **710w₂** and may be configured with declining sides (each side converging toward the bottom of the channel from top to bottom). In particular embodiments, the flow channel **710f** may have a sectional profile that is substantially a "V" shape, with the walls **710w₁**,

710w₂ angling to meeting at a common center located at a lowermost portion of the channel 710b. The depth of the channel can be less than about 5 cm, typically about 3.6 cm, or even less. Other configurations of the flow channel can be used, such as, but not limited to, concave, semi-circular, partial oval or partial ellipsoid, frustoconical, and the like. Other channel depths may also be employed, depending on the scale, size of components, dry powder being dispensed and/or analyzed, and input used to carry out the vibration. The cover member 720 may be adjusted accordingly.

The channel member 710 may be configured with an open top portion 710t and opposing side edge portions 710s₁, 710s₂. Figure 14C illustrates that the flow channel has a depth **D** that varies along the length of the flow channel 710f. As shown, the deepest portion of the flow channel **D**₁ is positioned proximate the dry powder intake (inlet port), while the more shallow depth **D**₂ is positioned proximate the dispensing port 725p (Figure 13). The depth of the flow channel 710f can vary in a gradual manner, such as linearly (in a straight line) with a predefined slope.

In particular embodiments, the channel 710f can have a depth **D**₁ that is about 17 mm at the inlet portion 710i of the member 710 and terminates at a depth **D**₂ that is about the same at the exit portion 710e. The channel 710f may have a length that is less than about 20 cm. In certain embodiments, the channel has a length of about 13.1 cm. The width may be less than about 5 cm, and typically about 2 cm.

Figures 15A-15C illustrate one embodiment of a cover member 720. As shown in Figure 15D, the cover member 720 is sized and configured with a tip portion 720t that, when assembled to the flow channel member 710, enters a distance "L" into the flow channel 710f of the channel member 710. As such, the tip portion 720t is sized and shaped to be able to be received into the flow channel 710f. As shown, the tip portion 720t includes sidewalls 720s₁, 720s₂ that decline at the same angle as that of the walls 710w₁, 710w₂ of the channel member 710. Because the cover member 720 has a flange 720f of substantially constant thickness that sits on the upper portion of the flow channel member 710, the length of the tip portion 720t defines its penetration depth into the flow channel 710f. The tip portion 720t can be sized so that, in position, its lowermost portion does not contact the bottom 710b of the flow channel 710f so as to provide an open flow orifice and inhibit pinching the piezoelectric layer 730 between the two members 710, 720.

As shown in **Figure 15D**, the cover member **720** includes a bottom portion **720b** that is configured to reside on the upper side edge portions **710s₁**, **710s₂** of the channel member **710** to position the tip portion **720t** of the cover member the desired distance into the depth of the flow channel **710f**. The space extending between the tip portion **720t** of the cover member **720** and the piezoelectric layer **730** extending over the bottom **710b** of the flow channel **710f** can be defined as the flow orifice **750**. Thus, when assembled, the open flow orifice **750** proximate the dispensing outlet or port (or dispensing end of the device) can vary a desired amount. In certain embodiments, the variation is from about 2 mm-7 mm, and in other embodiments about 2-5 mm.

Figure 15D illustrates the cover member **720** positioned over the flow channel member **710** with the piezoelectric layer **730** held therebetween. The assembled members **710**, **720** define a gap distance (or flow orifice) between the lowermost portion of the tip portion **720t** of the cover member **720** and the lowermost portion of the flow channel **710b**. This gap distance can be adjusted by sliding the cover member **720** forward or rearward in the flow channel member **710**.

As shown in **Figure 15C**, the vertical or inward projection length of the tip portion **720t** can vary over the axial length of the cover member **720**. This allows for the device to adjust the size of the reservoir defined by the coupling of the cover member **720** to the flow channel member **710**.

As shown in **Figures 15D** and **17B**, the piezoelectric material layer **730** can be tensioned across opposing sides of the flow channel **710b** so that its center portion is free to flex in response to the applied excitation (vibratory) signal. The outer edge or perimeter portions of the piezoelectric material **730** can be pinched or clasped between the overlying members **710**, **720**.

In operation, the piezoelectric layer **730** flexes upwardly in response to the input excitation signal(s) to vibrate the powder positioned above the piezoelectric layer **730**. When non-conductive cover members are employed (such as those formed of DELRIN^{*} polymer), aluminum foil can be positioned over the tip portion **720t** of the cover member **720** to inhibit static build up in the dry powder. In other embodiments, the cover member **720** may be formed of a pharmaceutically compatible conductive material, such as stainless steel, and/or the appropriate surfaces can be coated with a desired metallic coating, such as gold. In certain embodiments,

*=Trademark

an ionizer bar can be placed at one or more positions in the flow channel to decrease the static charge, suitable ionizer bars are available from NRD, LLC, located in Grand Island, NY.

Figure 15B illustrates that the cover member **720** can have an elongate dry powder input region **721** that is open to the channel member **710** below. Thus, in operation, the dry powder can be input at desired locations over the channel **710f** even if the cover member **720** is slid (rearward or forward) a distance over the flow channel **710f** for adjustment of the flow orifice size. The length of the input region **721** (slot **721s**) may be at least about 2.9 cm. As shown in **Figures 17A and 17B**, the flow channel **710f** can be divided into a reservoir length L_r and an adjacent flow channel length L_f . The reservoir length is that portion of the flow channel in the inlet region **721** that is defined between two inserts **792, 793**. The inserts **792, 793** are sized to extend through the cover member slot **721s** a depth into the channel. As shown in **Figure 17B**, the first or upstream insert **792** has a greater length than the downstream insert **793** and is configured to extend to contact or force the piezo-layer **730** to move closer to the bottom of the channel **710f** and inhibit backflow of the powder in the reservoir so as to hold a dry powder material supply in the inlet region **721** and gradually feed the dry powder into the flow channel length L_f . The flow channel length L_f can be described as that portion of the flow channel **710f** that is located downstream of the reservoir (downstream of a major portion of the input region **721**, shown as downstream of the first bracket **746**).

Figure 16A illustrates one embodiment of a configuration of a piezoelectric layer **730** that may be a piezoelectric polymer layer. It is noted that the term "piezoelectric polymer layer" is used for ease of description, but the term "polymer" as used herein, can also include co-polymers and blends, mixtures and derivatives thereof. As shown, one long side **730l** of the layer **730** has a flap portion **730f** with cut outs **730n₁, 730n₂** which are configured to allow upwardly extending attachment members **742, 743** (**Figure 13**) to extend therethrough. The other side **730l₂** can be substantially straight and configured to be substantially flush between the aligned portions of the cover member **720** and flow channel member **710**. The attachment members **742, 743** can be used to attach upper and lower bracket pairs **746, 747**, which clamp the cover member **720** and flow channel member **710** together. The cover member **720** can be formed with sufficient weight to obviate the need for

clamping, or other attachment means can be used to provide the desired holding force to keep the layer 730 in position. The flexible piezoelectric layer 730 can be preformed or formed *in situ* to substantially conform to the shape of the underlying channel 710f. The position of the cover member 720 and the length of the associated tip projection 720t can influence the size of the flow orifice provided by the cooperation of the layer 730 and the cover and flow channel members 720, 710, respectively.

As shown in Figure 13, the layer 730 is pinched or securely held about its perimeter portion. However, the layer 730 is held in the channel 710f so that its primary surfaces are able to flex upwardly. The piezoelectric layer 730 is held so that the portion of the layer 730 in the flow channel 710f is forced to vibrate in the upward direction. As shown in Figure 13, the signal(s) can be applied directly to the piezoelectric layer 730 from a signal generator 20 via a signal lead 775.

Referring again to Figure 13, an amplifier 20A can be operatively associated with the signal generator 20 and used to modulate the signal before transmitting to the layer 730, as desired. The signal generator 20 can be any suitable signal generator. In certain embodiments, the signal generator 20 is a wave signal generator that can incorporate or be operatively associated with an amplifier. The signal generator 20 may be combined into a signal processor or provided by other configurations of electronic circuitry. In certain embodiments, the ground connection can be via the top surface of the polymer layer 730 with the positive contact via the bottom surface. The metallization can be removed from the region to which the ground connects. Positioning the ground connection on the top surface (where the dry powder resides) can act to inhibit the dry powder being exposed to voltage during operation. The electrical contacts can be made via a central portion of the flap 730f, although other locations may also be used.

Valves or other "on-off" configurations can be used to dispense discrete amounts of the dry powder. In certain embodiments, the flow dispensing can be controlled by terminating and/or electrically decoupling the input signal from to the piezoelectric layer 730 such as by using a timer 20t (which feature is shown for example in Figure 13) that can be in communication with the layer 730 and/or valve member (not shown). As described above for other embodiments, the receiving containers may be translated under the dispensing orifice at a timed rate to provide the

desired dose amounts. In certain embodiments, a plurality of elongate flow channels can be arranged to concurrently and/or serially dispense (the same or different) dry powder (not shown).

As shown in **Figure 13**, the apparatus **700** may include an angle adjustment mechanism **780**. As shown, the angle adjustment mechanism includes a bracket **780b** upon which a portion of the underside of the flow channel member **710** can rest. The apparatus **700** can include a hinge bracket member **745** that is pivotably attached to a portion of the flow channel member **710** (and/or cover member **720**). In operation, the bracket **780b** can be raised and lowered and the flow channel member **710** pivots accordingly to adjust the angle of inclination of the flow channel **710f**. As will be appreciated by one of skill in the art, other angle adjustment configurations can be employed. The angle adjustment mechanism **780** can include a protractor or other angular scale to allow a user to be able to ascertain the angle without undue measurement. Typically, during evaluation of a powder, when the apparatus **700** is used to ascertain flow parameters, the flow channel **710f** will be positioned at several different angles. In certain embodiments, the angles evaluated can be proximate to but under the static angle of repose (under or over 90 degrees), and may, in certain embodiments, be between about 10-75 degrees.

The frequency of the signal generated to cause the selected vibration to obtain the desired fluidic flow is typically influenced by the voltage amount per frequency per given capacitance. As the polymer layer defines the capacitance, the size of the layer or sheet will influence this parameter. In addition, the amplifier selected may also limit the operational frequency of the wave signal generator employed. Off the shelf units (such as a 200V amplifier) may limit the amplitude modulated (carrier) frequency output to between about 2500-7800Hz, while customized signal processors may not be so limited (capable of generating increased carrier frequencies in the range of between about 15kHz-50kHz, or more as described above). An example of a suitable waveform generator is Part No. 33120A from Agilent, located in Palo Alto, CA, and an example of an amplifier is Part No. EPA-104 from Piezo Systems, located in Cambridge, MA.

The apparatus **700** can include a stationary mounting frame **790** that holds the angle adjustment mechanism **780**, the hinge bracket member **745**, and the flow channel and cover members **710**, **720**, respectively.

As shown in **Figure 13**, the apparatus **700** may include a hopper **25** with a hopper outlet port **25p** that is in fluid communication with the cover member port **721** that can continuously or episodically feed dry powder into the flow channel **710f**.

Although particularly suitable for pharmaceutical dry powders, the methods, systems and devices contemplated by the present invention may be used to dispense any desired dry powder, such as toners and the like.

The invention will now be described in more detail in the following non-limiting examples.

10

EXAMPLE 1

The data in **Tables 2** and **3** were obtained using the apparatus illustrated in **Figure 13**. The signal generator was a 200V amplifier. The carrier frequency selected for the Inhalac 230 dry powder (a dry powder from Meggle GmbH, Wasserburg, Germany, that has a 230 mesh size when sieved by the manufacturer) was 7500 Hz. The signal (identified as arb 2 signal) used to vibrate the piezoelectric polymer layer may be selected and/or expressed using one or more of Equations 1-6 herein. The exemplary excitation signal includes the superposition of four modulating frequencies ranging from 10-15 Hz.

20

Mass Flow Rate Data for Inhalac 230

Conditions	
Mass in reservoir (mg)	350
Channel Angle (deg.)	24
Carrier Freq. (Hz)	7500
Signal	arb2
Powder	Inhalac 230
primed (s)	~60

25

		mass flow
delta t (s)	mass (mg)	rate (mg/s)
3	9.57	3.190
3	9.77	3.257
3	9.74	3.247
3	10.86	3.620
3	10.46	3.487
AVG		3.360
ST DEV		0.184
RSD		5.5%

The foregoing is illustrative of the present invention and is not to be construed as limiting thereof. Although a few exemplary embodiments of this invention have been described, those skilled in the art will readily appreciate that many modifications are possible in the exemplary embodiments without materially departing from the novel teachings and advantages of this invention. Accordingly, all such modifications are intended to be included within the scope of this invention as defined in the claims. In the claims, means-plus-function clauses, where used, are intended to cover the structures described herein as performing the recited function and not only structural equivalents but also equivalent structures. Therefore, it is to be understood that the foregoing is illustrative of the present invention and is not to be construed as limited to the specific embodiments disclosed, and that modifications to the disclosed embodiments, as well as other embodiments, are intended to be included within the scope of the appended claims. The invention is defined by the following claims, with equivalents of the claims to be included therein.

WHAT IS CLAIMED IS:

1. A method of flowably dispensing pharmaceutical dry powder from a hopper during a filling operation, the hopper having a dispensing port and a dry powder flow path, comprising:
 - 5 generating a first non-linear vibration input signal, the first non-linear input signal comprising a carrier frequency modulated by a plurality of different selected predetermined modulating frequencies that correspond to a first dry powder formulation;
 - 10 applying the first non-linear vibration input signal to a dispensing hopper having a dry powder flow path and at least one dispensing port while the first dry powder formulation is flowing therethrough; and
 - dispensing a first meted quantity of the first dry powder through the dispensing port to a receiving member.
2. A method according to claim 1, wherein the selected modulating frequencies
15 of the non-linear signal correspond to known and/or predetermined flow characteristic frequencies of the first dry powder, and wherein the generating step is carried out to cause the dry powder to flow in a substantially uniform fluidic manner without aggregation.
3. A method according to claim 2, wherein the dispensing step is carried out by
20 synchronizing the dispensing port to open for a predetermined amount of time, the time corresponding to the dry powder flow rate and amount of meted dry powder desired.
4. A method according to claim 1, wherein the first meted quantity is a single unit dose amount that is less than about 15mg.
- 25 5. A method according to claim 1, wherein the first meted quantity is a single unit dose amount that is between about 10 μ g-10mg.
6. A method according to claim 1, wherein the dispensing step is carried out to successively dispense a plurality of meted quantities, the plurality of meted quantities

being between about 10 μ g-10mg, and wherein each of the plurality of meted quantities are in substantially the same amount with a variation dose to dose of less than about 10%.

7. A method according to claim 6, wherein the dose to dose variation is less than
5 about 5%.

8. A method according to claim 1, wherein the non-linear input signal has a plurality of superpositioned modulating frequencies.

9. A method according to claim 1, wherein the dry powder formulation is a low-density dry powder formulation.

10 10. A method according to claim 1, wherein the input signal is derived from an evaluation of observed frequencies of time between avalanches as detected in a mass flow analysis of the dry powder formulation.

11. A method according to claim 10, wherein the derivation of the input signal converts time to frequency space to render frequency distribution data of the mass
15 flow analysis of the dry powder formulation.

12. A method according to claim 1, further comprising generating a second non-linear vibration input signal, the second non-linear input signal comprising a second carrier frequency and a plurality of different selected signal frequencies that correspond to predetermined flow characteristics of a second dry powder formulation;
20 adjusting the non-linear input signal to apply a second non-linear vibration input signal to the dispensing hopper while the second dry powder formulation is flowing therethrough, the second input signal being different from the first input signal; and

dispensing a first meted quantity of the second dry powder through the
25 dispensing port to a receiving member.

13. A method according to claim 1, wherein the applying step is carried out at a localized portion of the hopper.

14. A method according to claim 1, wherein the applying step is carried out by applying the non-linear vibration energy along a major portion of the length of the hopper, the length of the hopper extending in the direction of flow.
15. A method according to claim 14, wherein the modulating frequencies are superimposed frequencies that are selected to represent a desired number of the most observed frequencies in a flow analysis frequency distribution.
16. A method according to claim 1, wherein the applying step is carried out to concurrently apply vibrational energy at multiple selected modulating frequencies.
17. A method according to claim 1, further comprising increasing the apparent bulk density of the first dry powder during the dispensing step without evacuating the flow path.
18. A method according to claim 17, wherein the hopper and dispensing port define a dry powder flow path, and wherein the increasing the apparent density step comprises directing a gas at a first pressure to enter, flow across, and exit the flow path at a second lesser pressure, proximate the dispensing port as the dry powder moves downwardly in the hopper during the dispensing step.
19. A method according to claim 1, wherein the hopper has an associated axis extending along the gas flow path, said method further comprising moving the hopper in a centrifugal motion so that it oscillates relative to the axis and generates a force with downward component or vector that is transmitted to the first dry powder formulation during the dispensing step.
20. A method according to claim 1, wherein the hopper has an associated axis extending along the gas flow path, said method further comprising moving the hopper in an eccentric motion so that it oscillates relative to the axial center line and generates a force with downward component or vector that is transmitted to the first dry powder formulation during the dispensing step.
21. A method according to claim 1, wherein the non-linear input signal comprises frequencies in the range of between about 10Hz to 1000kHz.

22. A method according to claim 1, wherein the non-linear input signal comprises carrier frequencies in the range of between about 15kHz to 50kHz.
23. A method according to claim 1, wherein the hopper comprises an insert configured to reside in the flow path in the hopper such that it downwardly extends a distance out of the dispensing port, said method further comprising translating the insert during the dispensing step to accelerate the particles of the dry powder formulation.
24. A method according to claim 23, wherein the translating step is carried out to oscillate the insert with a selected motion that has an associated non-constant period or periods.
25. A method according to claim 1, wherein the vibration energy input signal is based on electrical stimulation of the hopper.
26. A method according to claim 1, wherein the vibration energy input signal is generated by mechanical stimulation of the dry powder.
27. A method according to claim 1, wherein the vibration energy input signal is generated by electro-mechanical stimulation of the hopper and/or dry powder.
28. A method according to claim 1, wherein the vibration energy input signal comprises imparting a high frequency motion onto a selected portion of the hopper, with the outer bounds of the motion of the hopper being small.
29. A method of operating a dry powder filling system for dispensing pharmaceutical grade formulations of inhalable dry powder substances to target receiving members, comprising:
generating a vibratory signal comprising a carrier frequency modulated by a plurality of selected predetermined modulating frequencies to dry powder in a bulk powder enclosure having a dispensing flow path, the selected modulating frequencies corresponding to identified a priori flow characteristic frequencies of the dry powder;
and

dispensing metered quantities of the dry powder using the generated vibratory signal.

30. A method according to claim 29, wherein the vibratory signal is an amplitude modulated non-linear signal that superimposes the selected flow characteristic
5 frequencies.

31. A method according to claim 29, wherein the modulating flow characteristic frequencies comprise at least about three different frequencies in the range of between about 10Hz to 1000kHz.

32. A method according to claim 31, wherein the carrier frequency is between
10 about 15kHz to 50kHz.

33. A method according to claim 29, wherein the a priori flow characteristic frequencies correspond to observed frequencies in an avalanche-analysis spectrum of the dry powder.

34. A method according to claim 33, wherein the selected flow characteristic
15 frequencies include a plurality of predominant observed frequencies

35. A method according to claim 29, wherein the selected modulating frequencies are amplitude weighted.

36. A method according to claim 33, wherein the non-linear vibratory signal
"x_{signal}" is a cumulative signal that comprises a sum of selected observed frequencies
20 derived from an avalanche-analysis spectrum of the dry powder.

37. A method according to claim 36, wherein the non-linear input signal "x_{signal}" is derived from the mathematical equation:

$$x_{\text{signal}} = xf_2 + xf_3 + xf_4 + \dots + xf_n$$

where $f_2, f_3, f_4, \dots, f_n$, respectively, correspond to most observed frequencies in
25 an avalanche-based analysis spectrum of the dry powder and the parameter "x" used with f_2, f_3, f_4, f_n is a variable representing amplitude weight for a respective observed frequency.

38. A method according to claim 37, wherein one or more of the weighted summed frequency components is multiplied by a mathematical phase adjustment.

39. A method according to claim 37, wherein f_2 , f_3 , f_4 are the most observed frequencies in an avalanche-based analysis spectrum of the dry powder.

5 40. A method according to claim 29, wherein the system is configured to dispense a plurality of different dry powders, and wherein the generating step is configured to selectively generate a plurality of different vibratory signals, each different vibratory signal comprising a carrier frequency modulated by a plurality of selected predetermined modulating frequencies, the selected modulating frequencies
10 corresponding to a priori flow characteristic frequencies identified in a flow analysis of the respective dry powder being dispensed.

41. A method according to claim 40, further comprising filling at least two different pharmaceutical agents during dose filling using the applied vibratory signal.

42. A method of flowably dispensing production batches of pharmaceutical dry
15 powders from a hopper having a dispensing port and a dry powder flow path, comprising:

generating a first vibration input signal, the first input signal comprising a carrier frequency modulated by at least one selected predetermined modulating frequency, the selected modulating frequency generally corresponding to one of a
20 plurality of a priori identified flow characteristic frequencies of a particular dry powder being dispensed;

applying the first vibration input signal to the dry powder while the first dry powder formulation is flowing so that the first input signal vibrates the powder in a flow path to facilitate fluidic flow of the dry powder; and

25 serially dispensing meted quantities of the first dry powder to at least one receiving member, wherein a dose to dose variation of the meted quantities is less than about 5%.

43. A method according to claim 42, wherein the at least one selected frequency is at least three selected frequencies.

44. A method according to claim 42, wherein the dose to dose variation is substantially about 2% or less.

45. A method of flowably dispensing pharmaceutical dry powder(s) from a hopper and/or dry powder flow path that merges into a dispensing port comprising:

5 generating a first non-linear vibration input signal, the first non-linear input signal comprising a carrier frequency modulated by a plurality of different selected predetermined modulating frequencies, the different selected modulating frequencies corresponding to flow characteristic frequencies derived from a flow analysis of a dry powder formulation targeted for dispensing;

10 applying the first non-linear vibration input signal to the dry powder while the dry powder formulation is flowing; and

dispensing metered quantities of the first dry powder through a dispensing port to a receiving member.

46. A method according to claim 45, wherein a dose to dose variation of the metered quantities is about 5% or less.

47. A method according to claim 45, wherein a dose to dose variation of the metered quantities is about 2% or less.

48. A method according to claim 1, wherein the first metered quantity is a single unit dose amount of a pharmaceutical dry powder.

20 49. A dry powder dispensing system, comprising:

a hopper configured to hold a dry powder therein, the hopper having at least one dispensing port and a wall with an inner surface and outer surface;

a quantity of a dry powder disposed in the hopper;

at least one vibration energy source operably associated with the hopper,

25 wherein, in operation, the at least one vibration energy source is configured to output a non-linear vibratory energy sufficient to impart a velocity with at least one downward force vector to the dry powder as the dry powder flows downwardly to the dispensing port, wherein the non-linear vibratory energy comprises a carrier

frequency modulated by a plurality of different selected modulating frequencies that correspond to a first dry powder formulation; and

a controller operably associated with the hopper and the vibration energy source, the controller configured to direct the vibration energy source to output the carrier frequency modulated by the selected modulating frequencies.

50. A dry powder dispensing system, comprising:

a hopper configured to hold a dry powder therein, the hopper having at least one dispensing port and a wall with an inner surface and outer surface;

a quantity of a dry powder disposed in the hopper;

at least one vibration energy source operably associated with the hopper, wherein, in operation, the at least one vibration energy source is configured to output a non-linear vibratory energy sufficient to impart a velocity with at least one downward force vector to the dry powder as the dry powder flows downwardly to the dispensing port, wherein the non-linear vibratory energy comprises a carrier frequency modulated by a plurality of different selected modulating frequencies that correspond to a first dry powder formulation; and

a controller operably associated with the hopper and the vibration energy source, the controller configured to direct the vibration energy source to output the carrier frequency modulated by the selected modulating frequencies,

wherein the controller comprises a control module with computer readable storage medium having computer readable program code configured to programmatically select the desired non-linear vibratory energy from an electronic library of non-linear energy outputs, wherein a respective one of the non-linear energy outputs is associated with a corresponding one of a plurality of different dry powders, the non-linear energy output selection being made based on the dry powder being dispensed.

51. A system according to claim 50, wherein the system is configured to dispense a plurality of different dry powders, and wherein the control module comprises computer readable program code that accepts user input to identify the one or more dry powders being currently dispensed and computer program code that automatically

selectively directs the operational output of the vibration energy generation source based on the user input.

52. A system according to claim 49, wherein the modulating frequencies are derived from flow data experimentally obtained from a flow analysis of the dry powder.

53. A system according to claim 50, wherein the electronic library of dry powder-specific vibration energy outputs are derived from data obtained from a mass flow analysis of different dry powders.

54. A system according to claim 49, wherein the dry powder is a pharmaceutical drug that comprises low-density dry powder, and wherein the system is configured to serially dispense a plurality of single unit doses.

55. A system according to claim 54, wherein the single unit dose amount is less than about 15 mg.

56. A system according to claim 54, wherein the single unit dose amount is between about 10 μ g-10mg.

57. A system according to claim 49, wherein the system is configured to serially dispense a plurality of meted dose quantities, the plurality of meted quantities being between about 10 μ g-10mg, and wherein each of the plurality of meted quantities are in substantially the same amount with a variation, dose to dose, of less than about 10%.

58. A system according to claim 54, wherein the system is configured to dispense meted dose quantities with a dose-to-dose variation of less than about 5%.

59. A system according to claim 54, wherein the system is configured to dispense meted dose quantities with a dose-to-dose variation of less than about 2%.

60. A dry powder dispensing system, comprising:
a hopper configured to hold a dry powder therein, the hopper having at least one dispensing port and a wall with an inner surface and outer surface;

a quantity of a dry powder disposed in the hopper;

at least one vibration energy source operably associated with the hopper, wherein, in operation, the at least one vibration energy source is configured to output a non-linear vibratory energy sufficient to impart a velocity with at least one
5 downward force vector to the dry powder as the dry powder flows downwardly to the dispensing port, wherein the non-linear vibratory energy comprises a carrier frequency modulated by a plurality of different selected modulating frequencies that correspond to a first dry powder formulation; and

a controller operably associated with the hopper and the vibration energy
10 source, the controller configured to direct the vibration energy source to output the carrier frequency modulated by the selected modulating frequencies,

wherein, in operation, the at least one vibration energy source is configured to output a second non-linear vibratory energy sufficient to impart a velocity with at least one downward force vector to the dry powder as the dry powder flows
15 downwardly to the dispensing port, wherein the second non-linear vibratory energy is different from the first non-linear vibratory energy, the second non linear vibratory energy comprising a carrier frequency modulated by a plurality of different predetermined modulating frequencies, and wherein the controller is configured to electronically direct the vibration energy source to output the first or second non-
20 linear vibratory energy with its respective carrier frequency modulated by the associated predetermined frequencies while the dry powder is flowing.

61. A system according to claim 60, further comprising a detection system operably associated with the control module, the detection system configured to detect a parameter associated with dose filling to provide feedback data for electronic
25 adjustment of the dispensing system.

62. A system according to claim 52, wherein the modulating frequencies of the non-linear output signal are derived using time space data of the flow analysis of the dry powder that is converted to frequency space data.

63. A system according to claim 49, wherein, in operation, the vibration energy source is configured to deliver the output signal and cause the dry powder to flow in a substantially uniform fluidic manner without aggregation.

64. A system according to claim 49, further comprising a valve operably associated with the at least one dispensing port and in communication with the control module, the valve being configured to open and close the flow path across the dispensing port to controllably dispense metered quantities of dry powder by permitting flow of the dry powder out of the dispensing port for a predetermined time at a substantially uniform flow rate, the flow rate and open time of the valve during the valve operation cycle corresponding to the desired dispensed dose amount.

65. A system according to claim 49, wherein the vibration generation source is configured to output high frequency vibration energy.

66. A system according to claim 49, wherein the hopper comprises a piezoelectric material that is operably associated with the dry powder in the hopper, and wherein the vibration energy generation source comprises a power source that can supply a selected electrical input signal to the piezoelectric material, wherein, in operation, the piezoelectric material outputs the desired non-linear vibration energy to the dry powder.

67. A system according to claim 49, wherein the non-linear vibratory energy generated by the vibration source is configured to increase the apparent bulk density of the dry powder in the hopper during dispensing in the absence of evacuation.

68. A system according to claim 67, further comprising:
a permeable member attached to the hopper and positioned proximately above the dispensing port and defining a portion of the dry powder flow path; and
a forced gas source configured to direct gas to enter a first side of the permeable member at a first pressure, flow across the gas flow path, and exit the permeable member at a different location at a second pressure to generate a pressure differential across the width of the gas flow path proximate the permeable member.

69. A system according to claim 68, wherein the permeable member is a stainless steel filter or frit.

70. A system according to claim 68, wherein the hopper, the permeable member, and the dispensing port define an axially extending dry powder flow path, and
5 wherein, in operation, the apparent bulk density of the dry powder is increased as the dry powder moves downwardly in the hopper due at least in part to the transversely generated pressure differential.

71. A system according to claim 49, wherein the hopper and associated dispensing port have an associated axis extending along the gas flow path, said system further
10 comprising a translation mechanism that moves at least a portion of the hopper in a centrifugal motion so that the hopper and/or dispensing port oscillates relative to the axis and, in operation, generates a force with a downward component or vector that is transmitted to the first dry powder during dispensing.

72. A system according to claim 49, wherein the hopper and dispensing port have
15 an associated axis extending along the gas flow path, said system further comprising a translation mechanism that moves at least a portion of the hopper in an eccentric motion so that at least a portion of the hopper oscillates relative to the axis and, in operation, generates a force with a downward component or vector that is transmitted to the dry powder during dispensing.

20 73. A system according to claim 49, wherein the non-linear energy comprises frequencies in the range of between about 10 Hz to 1000 kHz.

74. A system according to claim 49, wherein the non-linear input energy
25 comprises at least one carrier frequency in the range of between about 2.5kHz to 50kHz and a plurality of modulation frequencies in the range of between about 10-500Hz.

75. A dry powder dispensing system, comprising:
a hopper configured to hold a dry powder therein, the hopper having at least one dispensing port and a wall with an inner surface and outer surface;

a quantity of a dry powder disposed in the hopper;

at least one vibration energy source operably associated with the hopper, wherein, in operation, the at least one vibration energy source is configured to output a non-linear vibratory energy sufficient to impart a velocity with at least one
 5 downward force vector to the dry powder as the dry powder flows downwardly to the dispensing port, wherein the non-linear vibratory energy comprises a carrier frequency modulated by a plurality of different selected modulating frequencies that correspond to a first dry powder formulation;

a controller operably associated with the hopper and the vibration energy
 10 source, the controller configured to direct the vibration energy source to output the carrier frequency modulated by the selected modulating frequencies; and

an elongated insert configured to reside in the flow path in the hopper such that the insert downwardly extends a distance out of the dispensing port and eccentrically rotates relative to the axis of the flow path of the hopper during
 15 dispensing to transmit directional acceleration to particles of the dry powder.

76. A system according to claim 75, wherein, in operation, the insert is oscillated with a selected motion that has an associated non-constant period.

77. A system according to claim 49, wherein the non-linear vibrating energy comprises a high frequency motion applied onto a selected portion of the hopper, with
 20 the outer bounds of the motion of the hopper being small.

78. A system according to claim 49, further comprising computer program code in a computer readable storage medium configured to control the dispensing of dry powders, the computer program code configured to control the activation of a valve that opens and closes the flow path of the dispensing system to control the amount of
 25 dry powder dispensed in unit dose amounts.

79. A system of flowably dispensing dry powders from a hopper having at least one dispensing port and at least one dry powder flow path, comprising:

means for generating a first non-linear vibration input signal, the first input signal comprising a carrier frequency modulated by at least a selected one of a

plurality of predetermined modulating frequencies, the at least one selected modulating frequency generally corresponding to one of a plurality of a priori identified flow characteristic frequencies of a particular dry powder being dispensed; and

5 means for applying the first vibration input signal to the dry powder while the first dry powder formulation is flowing in a flow path so that the first input signal vibrates the powder in the flow path to facilitate fluidic flow of the dry powder whereby the system serially dispenses meted quantities of the first dry powder to at least one receiving member with a dose to dose variation of the meted quantities being
10 less than about 5%.

80. A system according to claim 79, wherein the at least one selected modulating frequency is at least three selected modulating frequencies.

81. A system according to claim 80, wherein the dose-to-dose variation is about 2% or less.

15 82. A system for flowably dispensing pharmaceutical dry powder(s) comprising:
a vibration source configured to generate a first non-linear vibration input signal comprising a carrier frequency modulated by a plurality of different selected modulating frequencies, the different modulating frequencies corresponding to flow characteristic frequencies derived from a flow analysis of a dry powder formulation
20 targeted for dispensing;

a dry powder flow path in communication with the vibration source whereby the first non-linear vibration input signal is transmitted to the dry powder while the dry powder formulation is flowing in the flow path; and

25 at least one dispensing port in communication with the dry powder flow path, the dispensing port configured to dispense meted unit dose quantities of the first dry powder to a receiving member.

83. A system according to claim 82, wherein the plurality of modulating frequencies comprises at least three different modulating frequencies, and wherein the

system is configured to mete the dry powder with a dose-to-dose variation being about 5% or less.

84. A system according to claim 82, wherein the system is configured to mete the dry powder with a dose to dose variation of about 2% or less.

5 85. A system for flowably dispensing pharmaceutical dry powder(s) comprising:
a vibration source configured to generate a first non-linear vibration input
signal comprising a carrier frequency modulated by a plurality of different selected
modulating frequencies, the different modulating frequencies corresponding to flow
characteristic frequencies derived from a flow analysis of a dry powder formulation
10 targeted for dispensing;
a dry powder flow path in communication with the vibration source whereby
the first non-linear vibration input signal is transmitted to the dry powder while the
dry powder formulation is flowing in the flow path; and
at least one dispensing port in communication with the dry powder flow path,
15 the dispensing port configured to dispense meted unit dose quantities of the first dry
powder to a receiving member,
wherein the non-linear input signal has a plurality of superpositioned selected
modulating frequencies.

20 86. A system according to claim 84, wherein the dry powder formulation is a low-
density dry powder formulation.

87. A system according to claim 84, wherein the at least three modulating
frequencies are derived from an evaluation of observed frequencies of time between
avalanches as detected in a mass flow analysis of the dry powder.

25 88. A system according to claim 87, wherein the at least three modulating
frequencies are derived based on a mathematical conversion of data from the mass
flow analysis from a time to frequency space to render frequency distribution data of
the mass flow analysis of the dry powder.

89. A system according to claim 82, further comprising a controller with computer storage media having computer readable program code configured to define the first non-linear vibration input signal carrier frequency modulated by the plurality of selected modulating frequencies and computer readable program code configured to
5 define a second non-linear vibration input signal different from the first non-linear vibration input signal, the second non-linear input signal having a carrier frequency modulated by a plurality of selected modulating frequencies.

90. A system according to claim 89, wherein the controller is configured to electronically direct the vibration source to selectively output the first or second non-
10 linear vibratory energy while the dry powder is flowing.

91. A system according to claim 89, further comprising a detection system operably associated with the controller, the detection system configured to detect a parameter associated with dose filling to provide feedback data for electronic adjustment of the dispensing system.

15 92. A dry powder filling system for dispensing pharmaceutical grade formulations of inhalable dry powder substances to target receiving members, comprising:

a vibratory signal generator configured to apply at least one vibratory signal comprising a carrier frequency modulated by a plurality of selected predetermined modulating frequencies to dry powder in a bulk powder container having a dispensing
20 flow path that merges into at least one dispenser, the selected modulating frequencies corresponding to identified a priori flow characteristic frequencies of the dry powder, whereby the system is configured to dispense meted quantities of the dry powder using the at least one vibratory signal.

93. A system according to claim 92, wherein the vibratory signal comprises an
25 amplitude modulated non-linear signal that superimposes the selected modulating characteristic frequencies.

94. A system according to claim 92, wherein the modulating frequencies comprise at least about three different frequencies in the range of between about 10Hz to 1000kHz.

95. A system according to claim 94, wherein the carrier frequency is between about 15kHz to 50kHz.
96. A system according to claim 92, wherein the *a priori* flow characteristic frequencies correspond to observed frequencies in an avalanche-analysis spectrum of the dry powder.
97. A system according to claim 96, wherein the selected modulating frequencies correspond to a plurality of predominant observed frequencies in the avalanche-analysis spectrum.
98. A system according to claim 92, wherein the selected modulating frequencies are amplitude weighted.
99. A system according to claim 97, wherein the non-linear signal "x_{signal}" that is a cumulative signal that comprises a sum of selected observed frequencies derived from the avalanche-analysis spectrum of the dry powder.
100. A system according to claim 99, wherein the non-linear input signal "x_{signal}" is derived from the mathematical equation:
- $$x_{\text{signal}} = xf_2 + xf_3 + xf_4 + \dots + xf_n$$
- where $f_2, f_3, f_4, \dots, f_n$, respectively, correspond to most observed frequencies in an avalanche-based analysis spectrum of the dry powder and the parameter "x" used with f_2, f_3, f_4, f_n is a variable representing amplitude weight for a respective observed frequency.
101. A system according to claim 100, wherein one or more of the weighted summed frequency components is multiplied by a mathematical phase adjustment.
102. A system according to claim 100, wherein f_2, f_3, f_4 are the most observed frequencies in an avalanche-based analysis spectrum of the dry powder.
103. A system according to claim 92, wherein the system is configured to dispense a plurality of different dry powders, and wherein the generating step is configured to

selectively generate a plurality of different vibratory signals, each different vibratory signal comprising a corresponding carrier frequency modulated by a plurality of selected predetermined modulating frequencies, the selected modulating frequencies corresponding to a priori flow characteristic frequencies identified in a flow analysis
5 of the respective dry powder being dispensed.

104. A system according to claim 92, wherein the system is configured to concurrently dispense at least two different pharmaceutical agents forming the dry powder using the vibratory signal.

105. A dry powder filling/ dispensing system, comprising:

10 a hopper for holding a multi-bolus quantity of pharmaceutical dry powder having at least one dispensing port and a wall with an inner surface and outer surface;
a multi-bolus quantity of a pharmaceutical dry powder disposed in the hopper;
and

15 means for generating vibration energy to output a desired non-linear vibratory input comprising a carrier frequency and a plurality of selected modulating frequencies sufficient to impart a velocity with at least one downward force vector to the dry powder as the dry powder flows downwardly toward the dispensing port and is dispensed as a meted single pharmaceutical dose.

106. A system according to claim 105, wherein the means for generating comprises
20 a control module operably associated with the hopper, the control module comprising a computer readable medium with computer readable program code configured to controllably apply the vibration input, wherein the non-linear vibration input comprises a plurality of superimposed frequencies that are selected to represent a desired number of the most observed frequencies in a flow analysis frequency
25 distribution of the dry powder in the system.

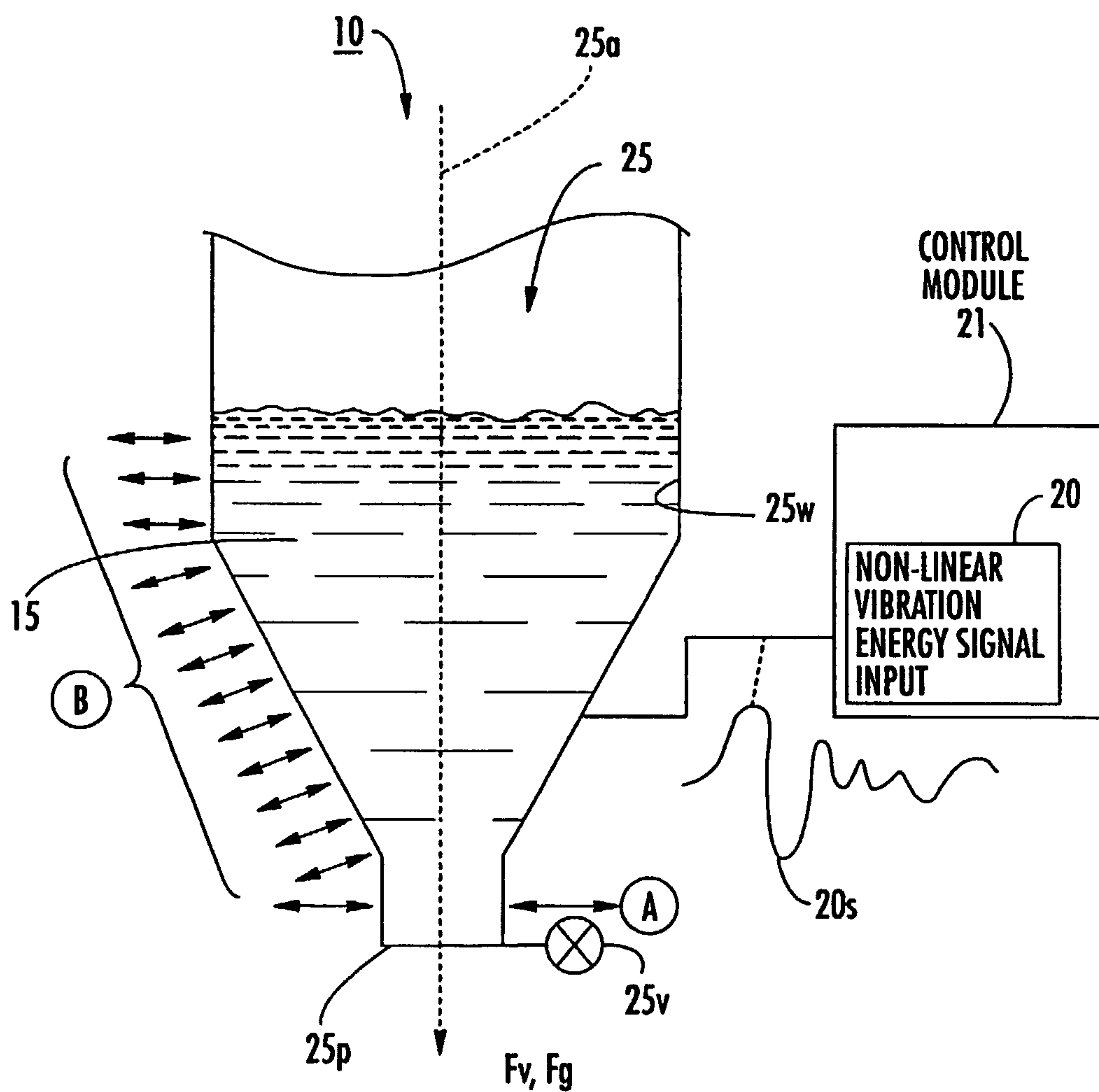
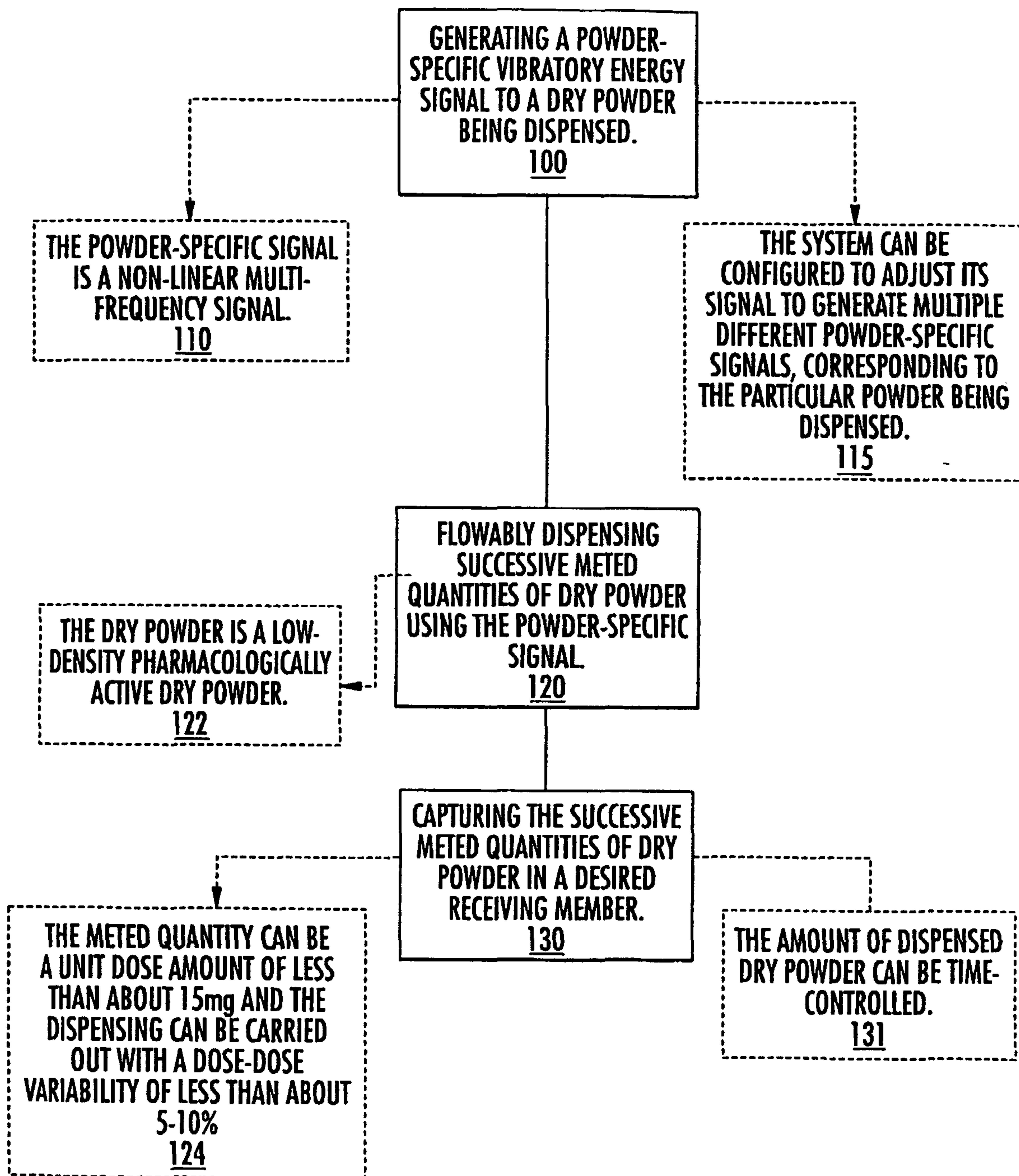
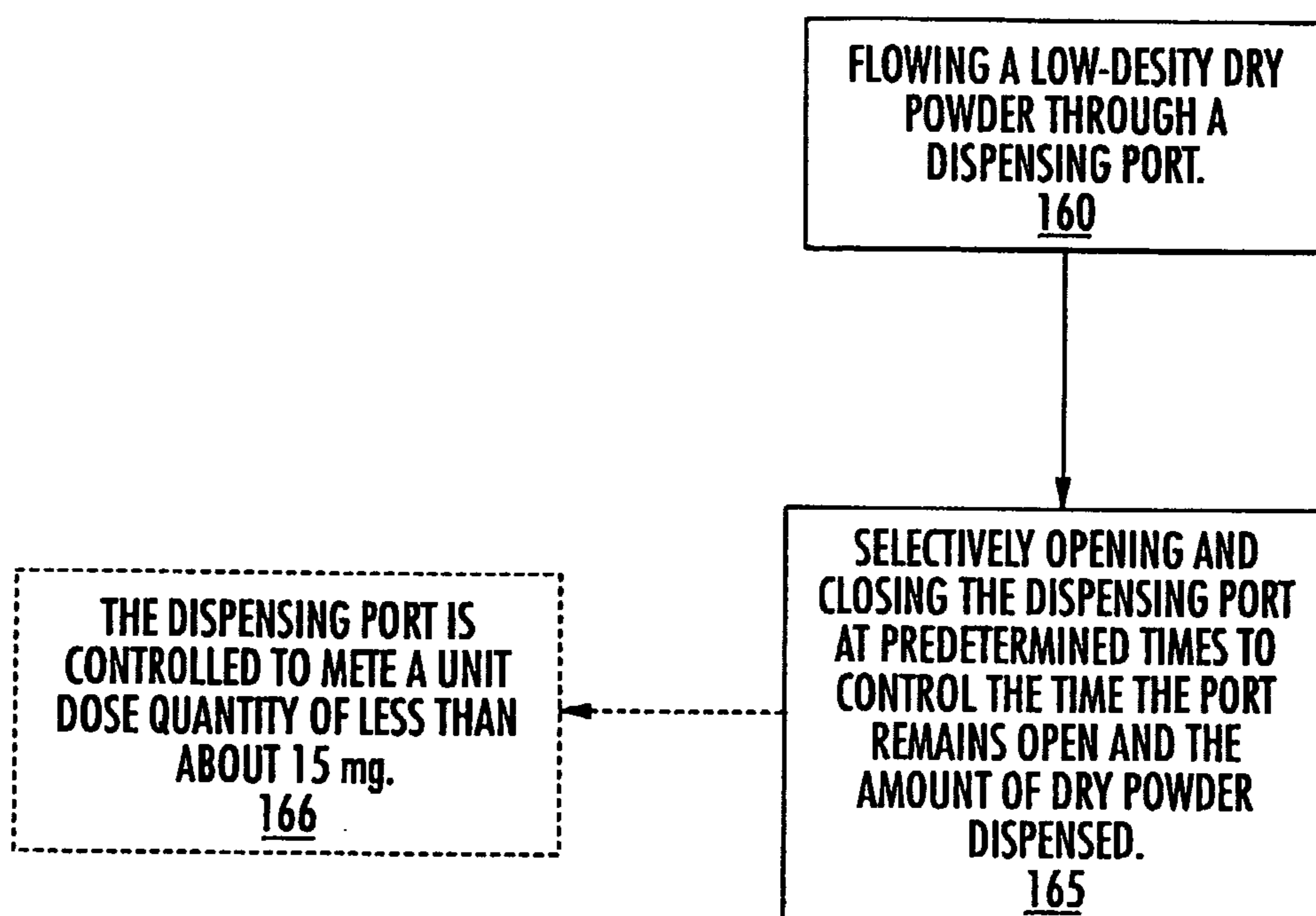
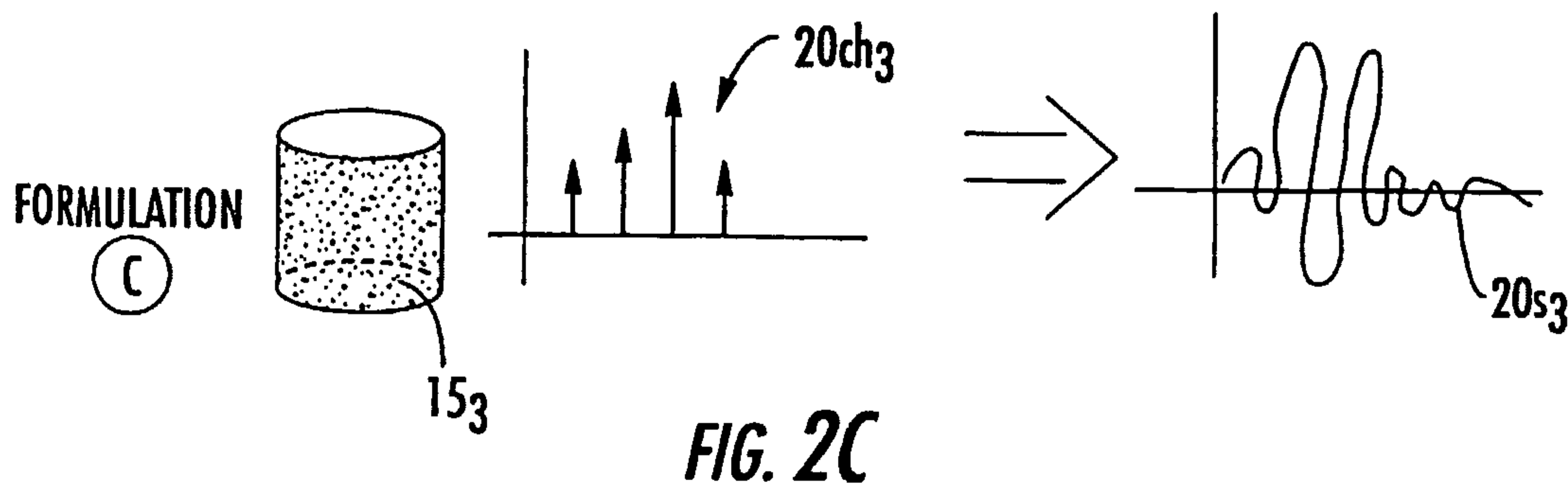
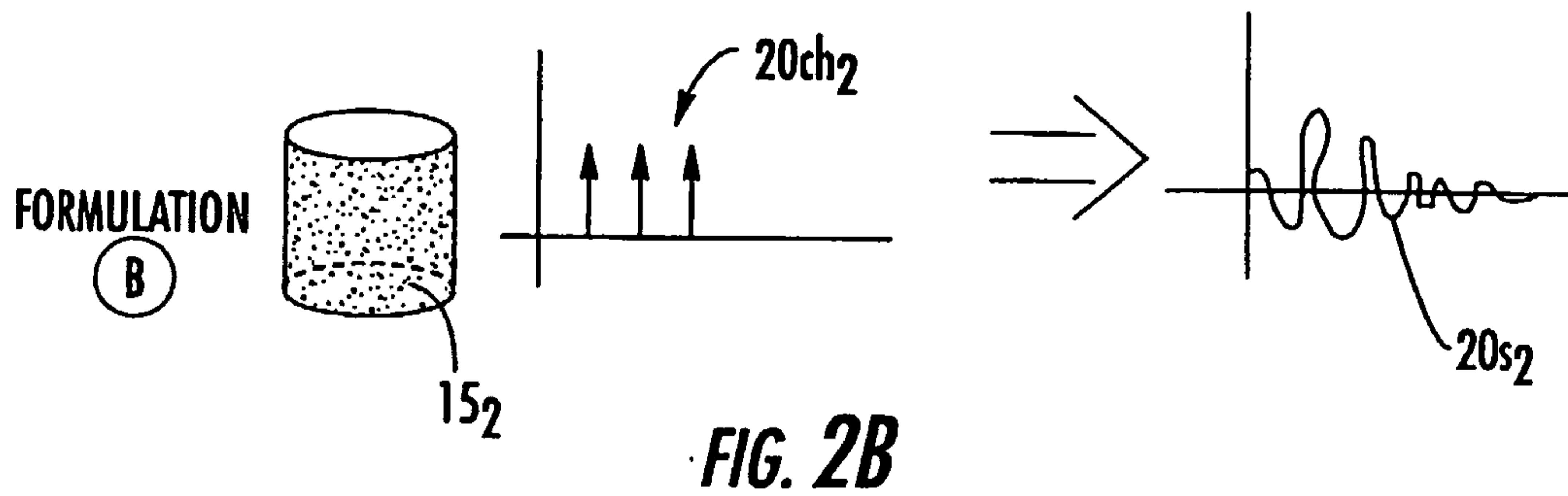
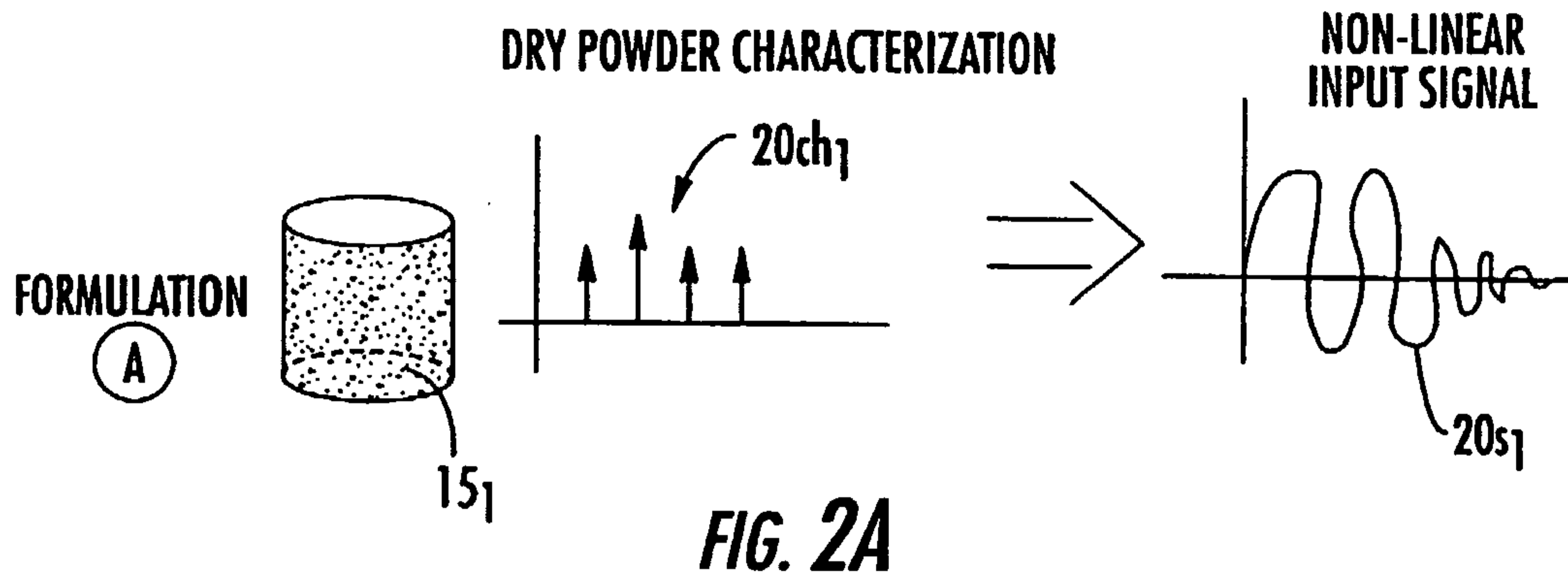


FIG. 1A

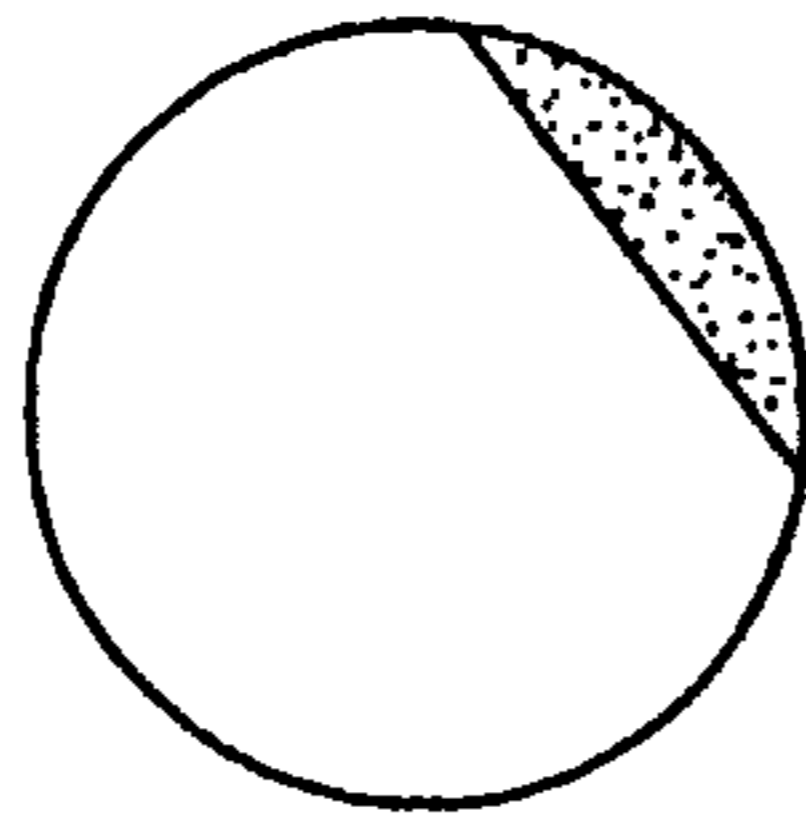
**FIG. 1B**

**FIG. 1C**



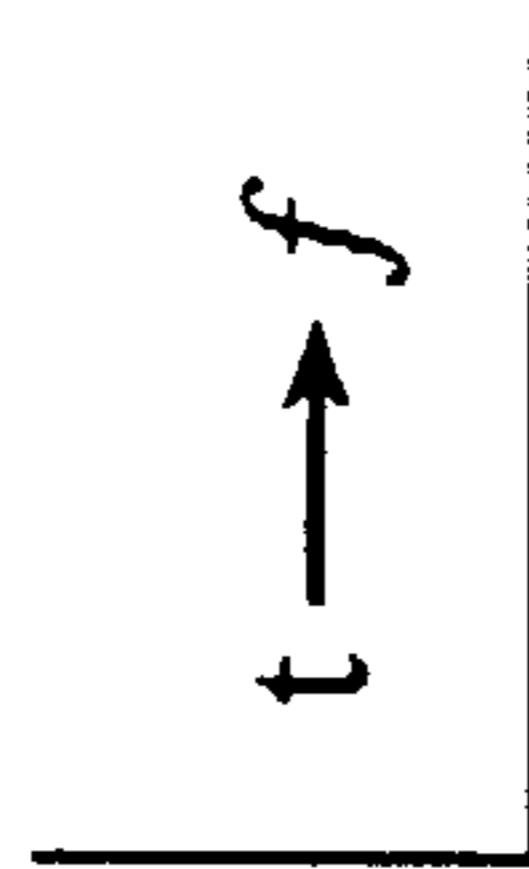
SIGNAL GENERATION ALGORITHM

FIG. 3A



MEASURE TIME BETWEEN
AVALANCHES FOR
POWDERS IN
ROTATING DRUM

FIG. 3B

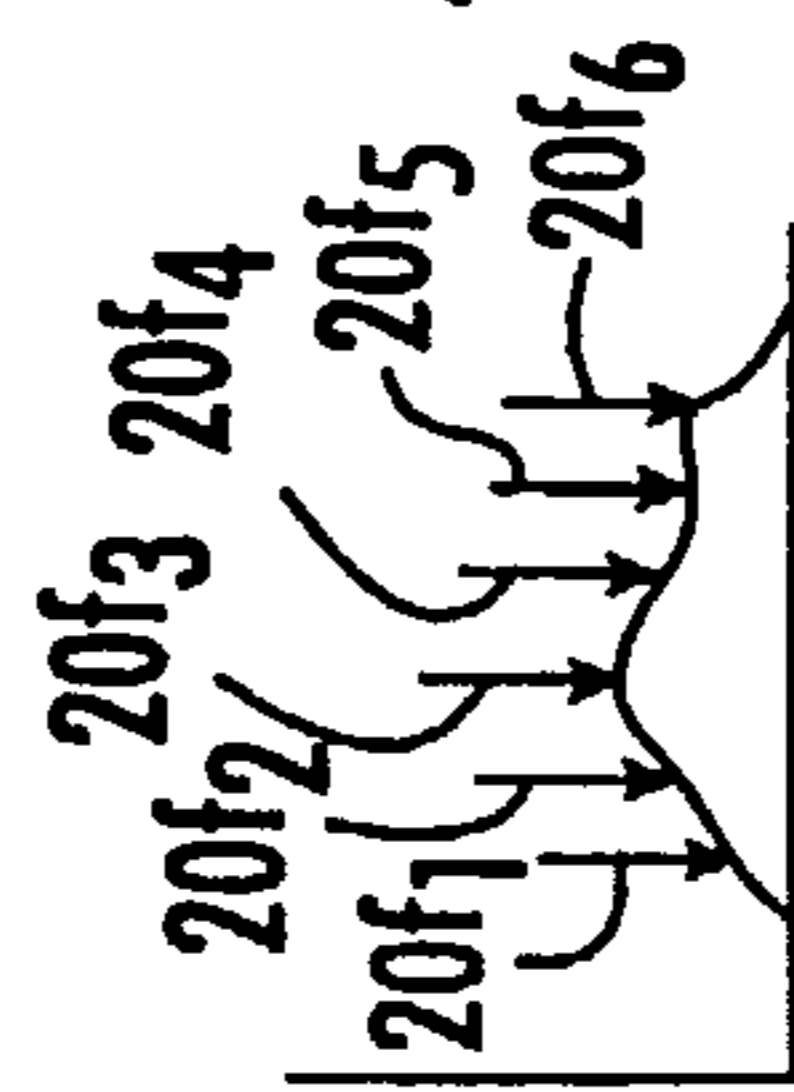


CONVERT TIME
TO FREQUENCY SPACE

FIG. 3C



PLOT DISTRIBUTION
OF FREQUENCIES



RECORD TOP SIX MOST
OBSERVED FREQUENCIES,
TYPICALLY REPRESENTING
75% OF DISTRIBUTION



SUPERIMPOSE THESE SIX
FREQUENCIES TO CONSTRUCT
A SINGLE SUPERPOSITION
SIGNAL (CAN INCLUDE
STEP OF ADJUSTING RELATIVE
AMPLITUDES)

FIG. 3D

FIG. 3E

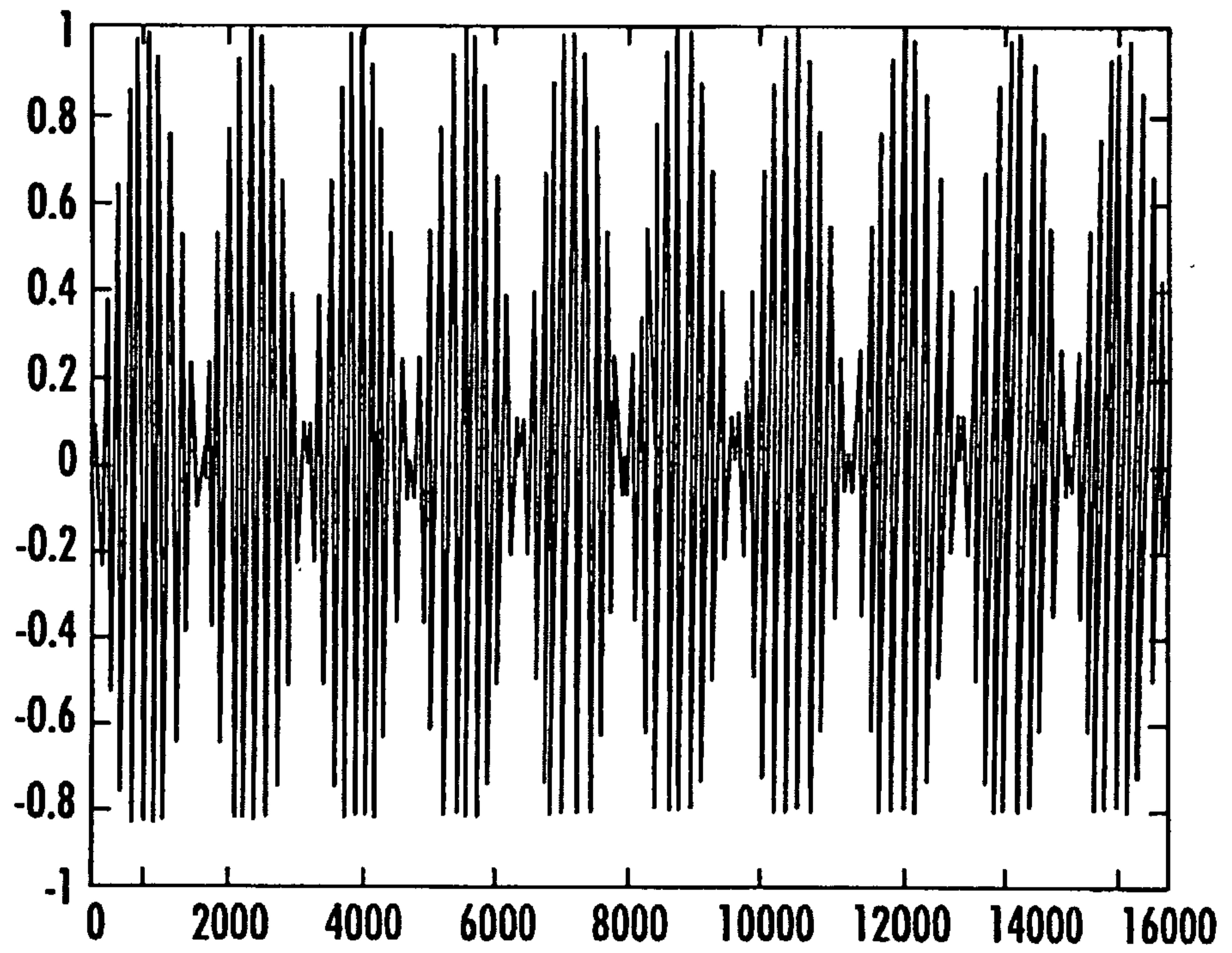


FIG. 4

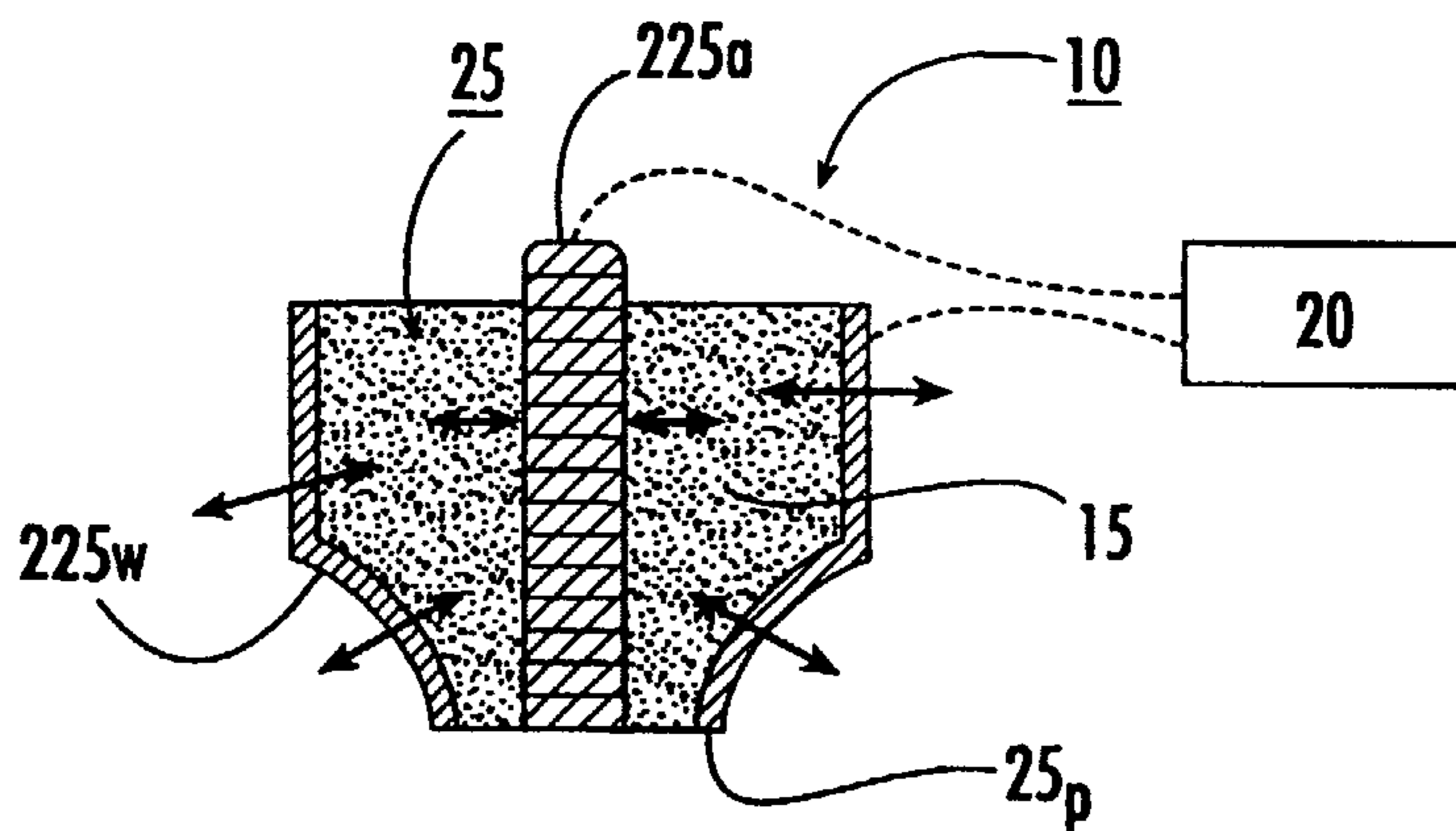


FIG. 5A

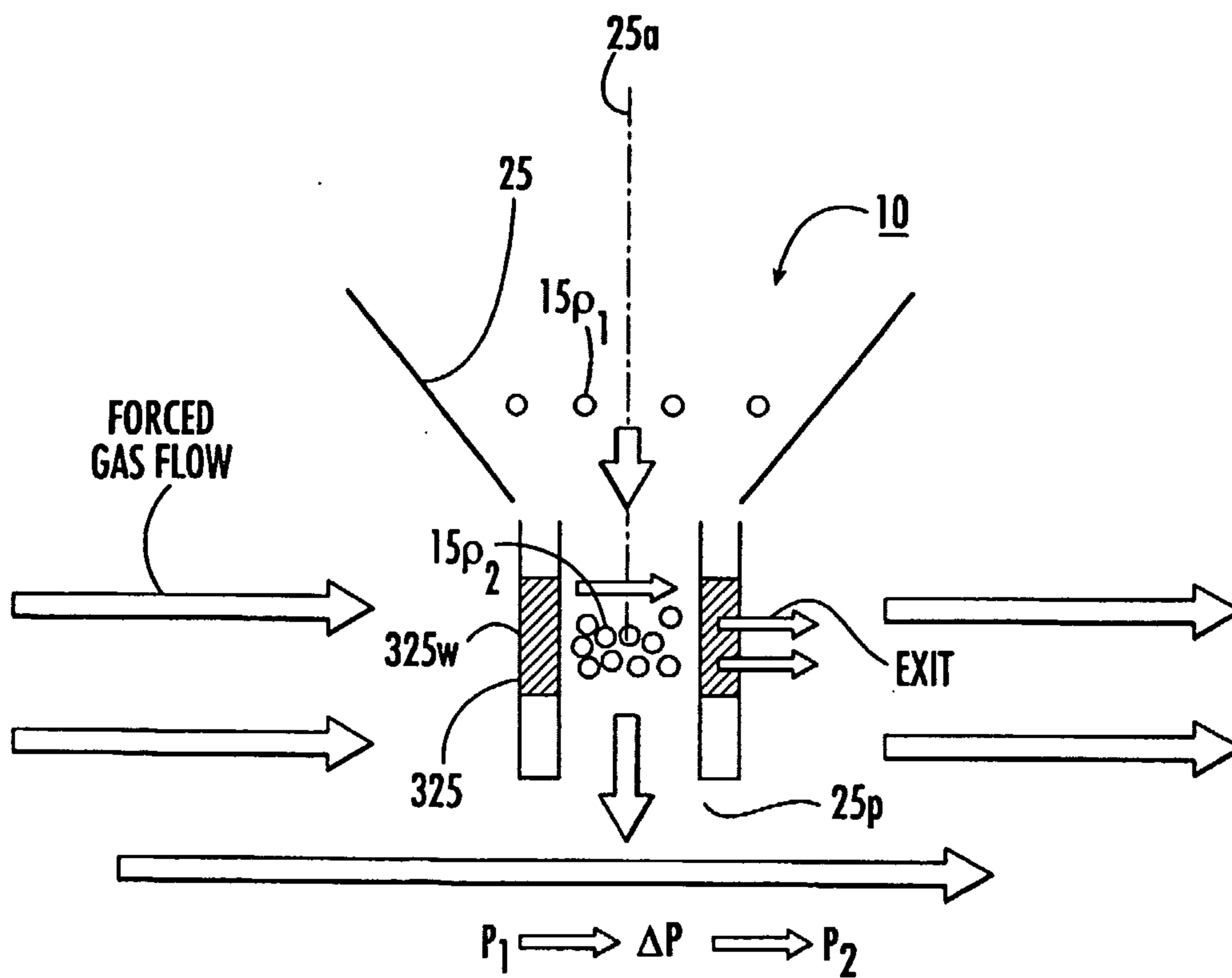


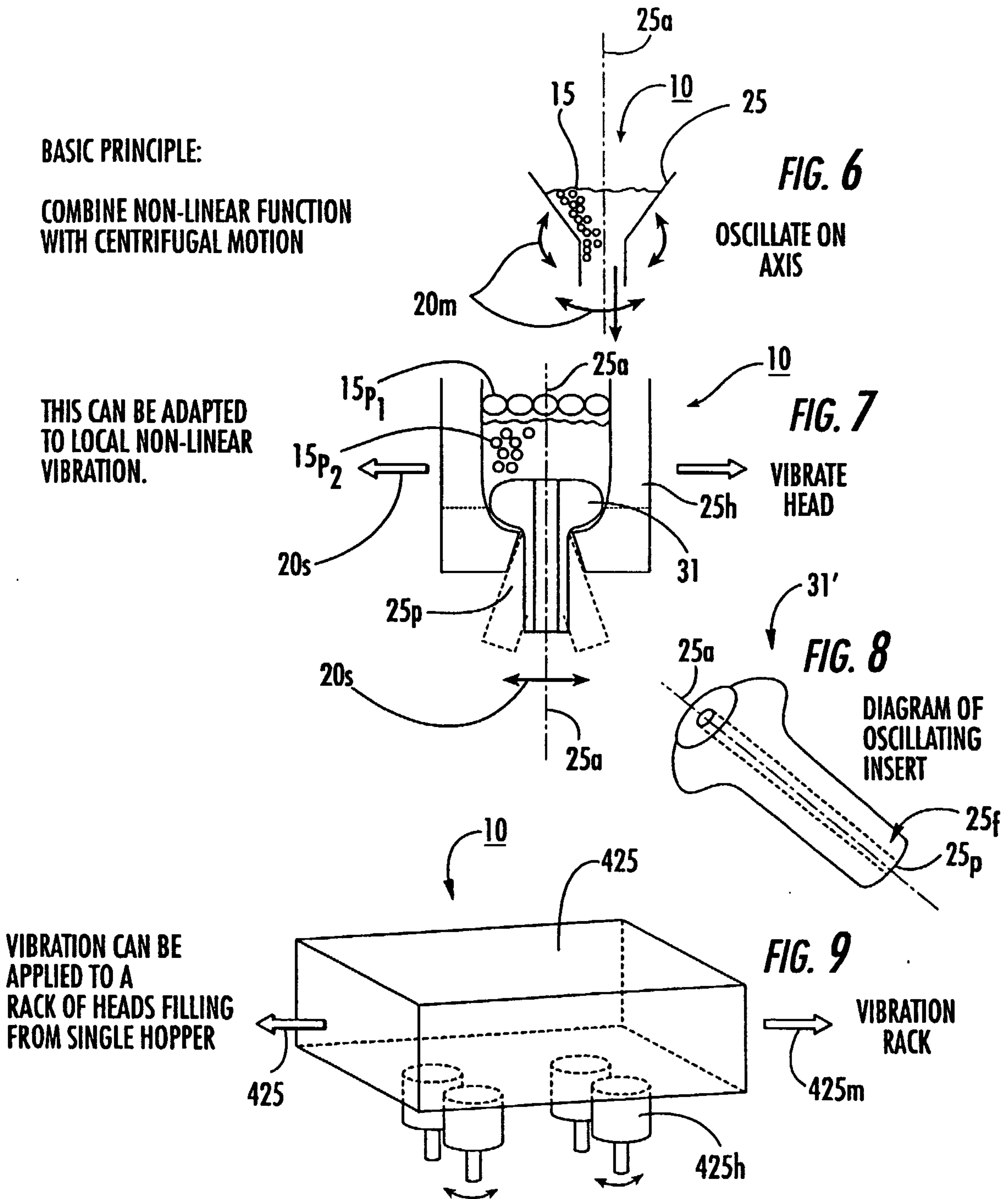
FIG. 5B

NON-LINEAR VIBRATION / CENTRIFUGATION PRINCIPLE OF POWDER FILLING

BASIC PRINCIPLE:

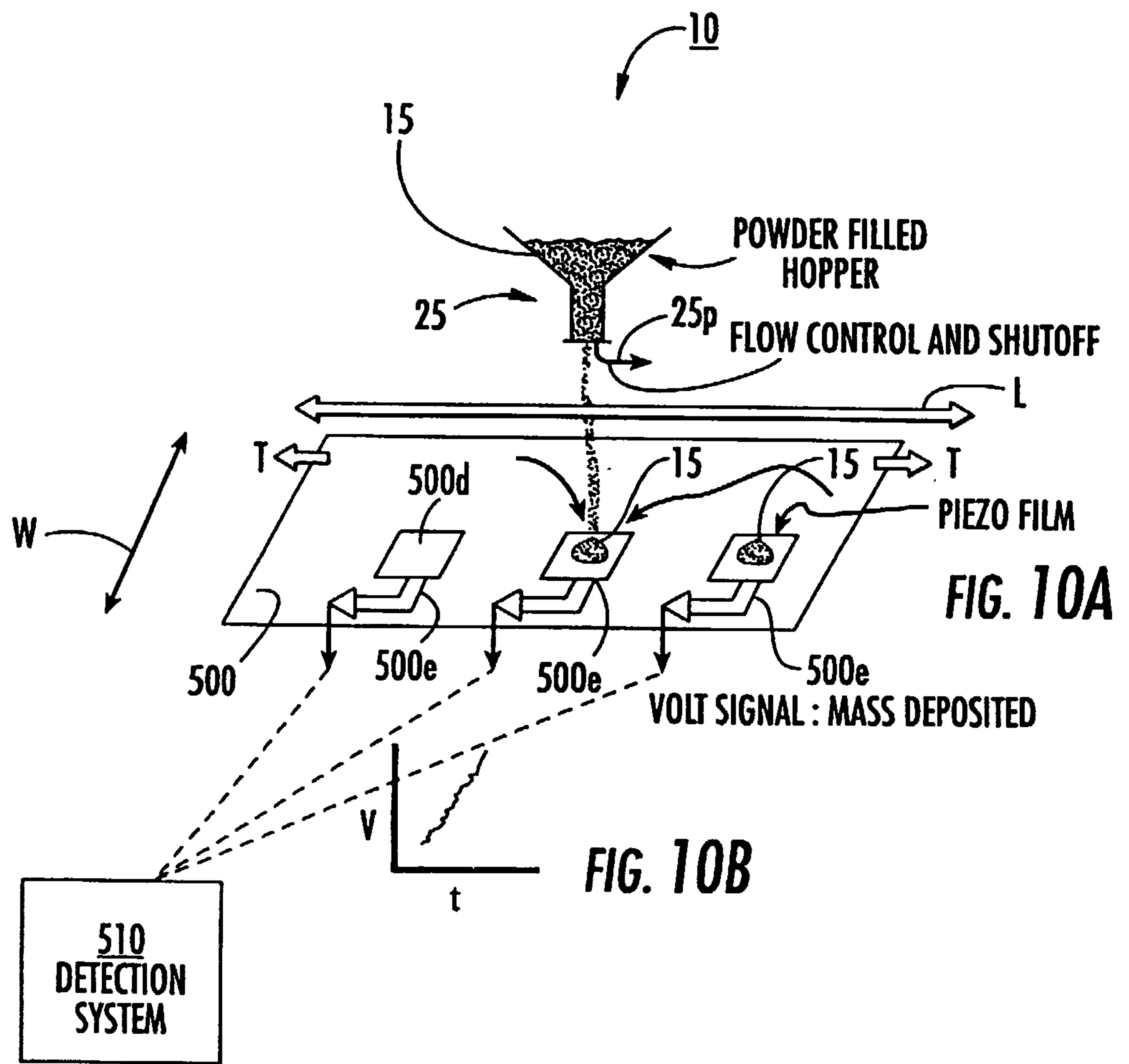
COMBINE NON-LINEAR FUNCTION WITH CENTRIFUGAL MOTION

THIS CAN BE ADAPTED TO LOCAL NON-LINEAR VIBRATION.



VIBRATION CAN BE APPLIED TO A RACK OF HEADS FILLING FROM SINGLE HOPPER

RADIUS (OR EXTREMES) OF MOTION CAN BE VERY SMALL. AT HIGH FREQUENCY THE ANGULAR VELOCITY WILL BE SUFFICIENT TO GIVE DIRECTIONAL ACCELERATION TO PARTICLES.



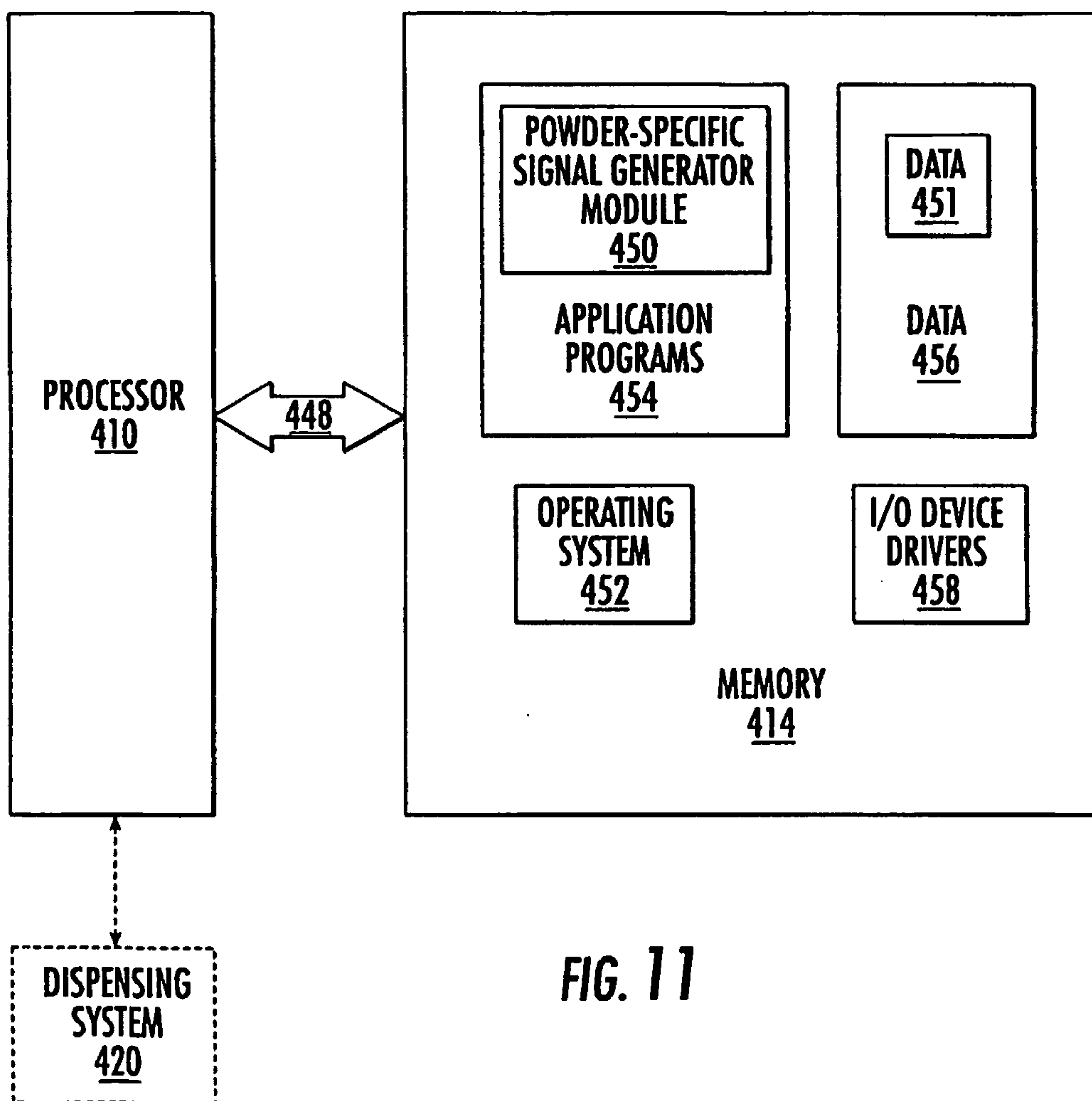


FIG. 11

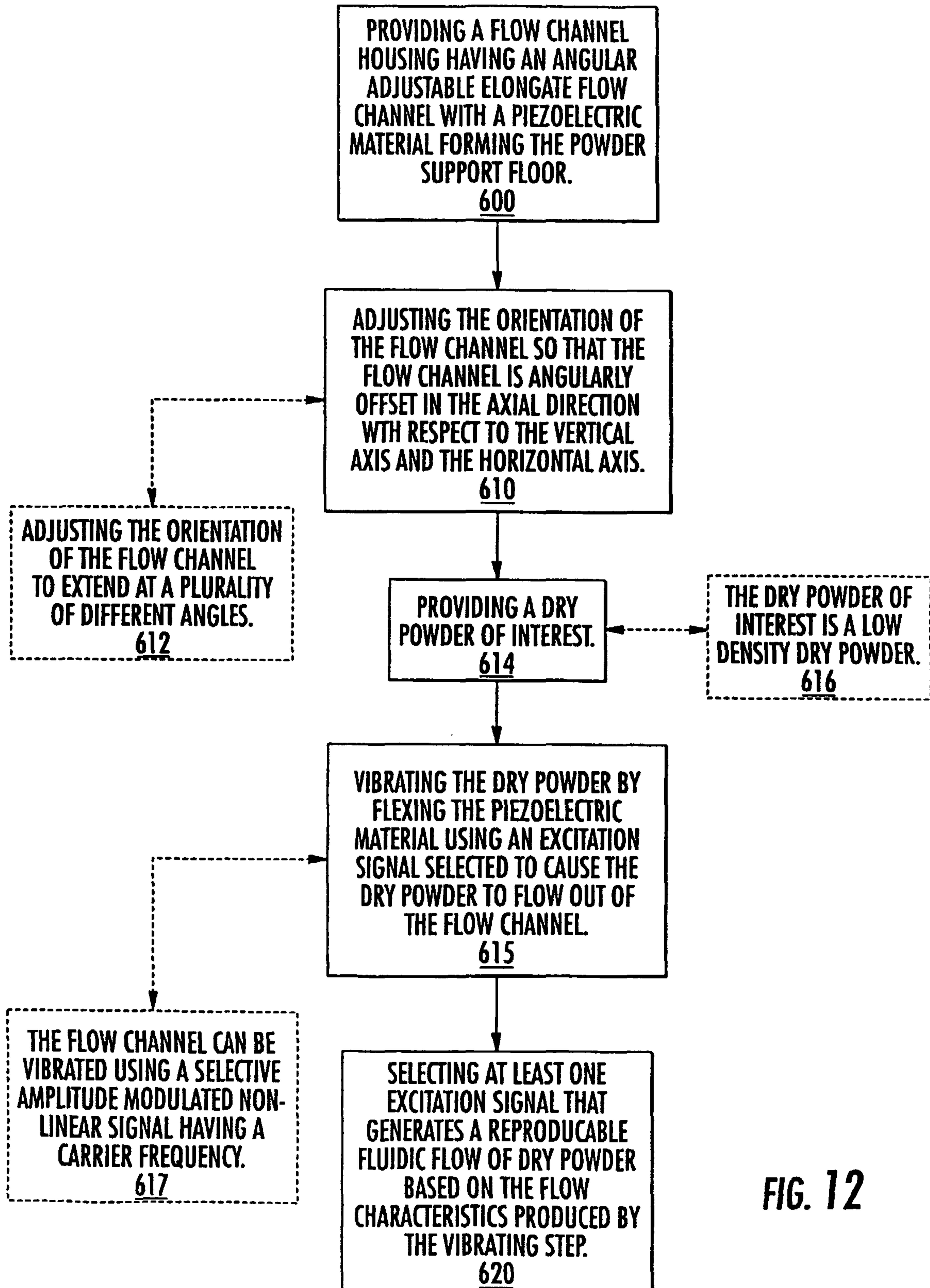
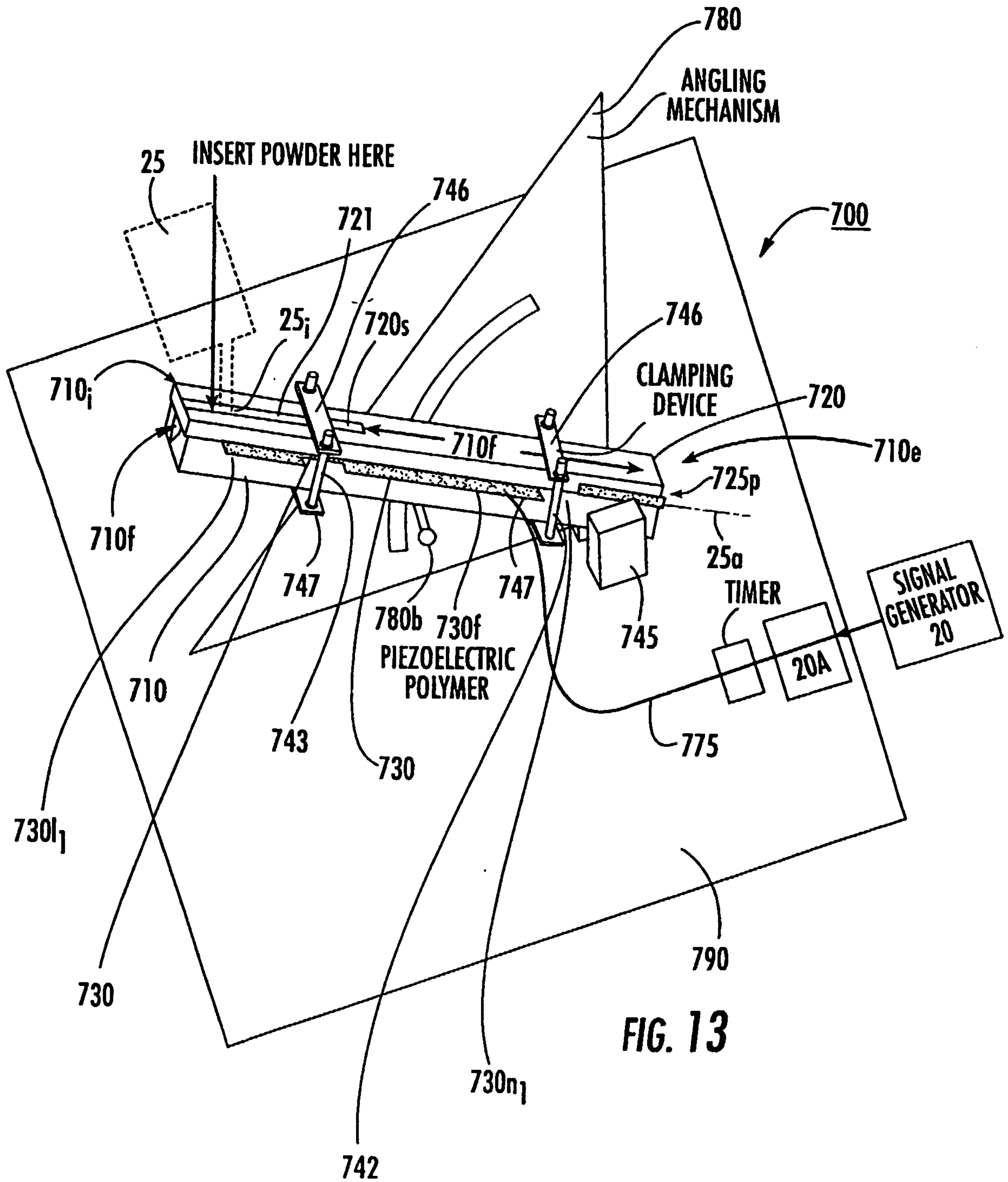
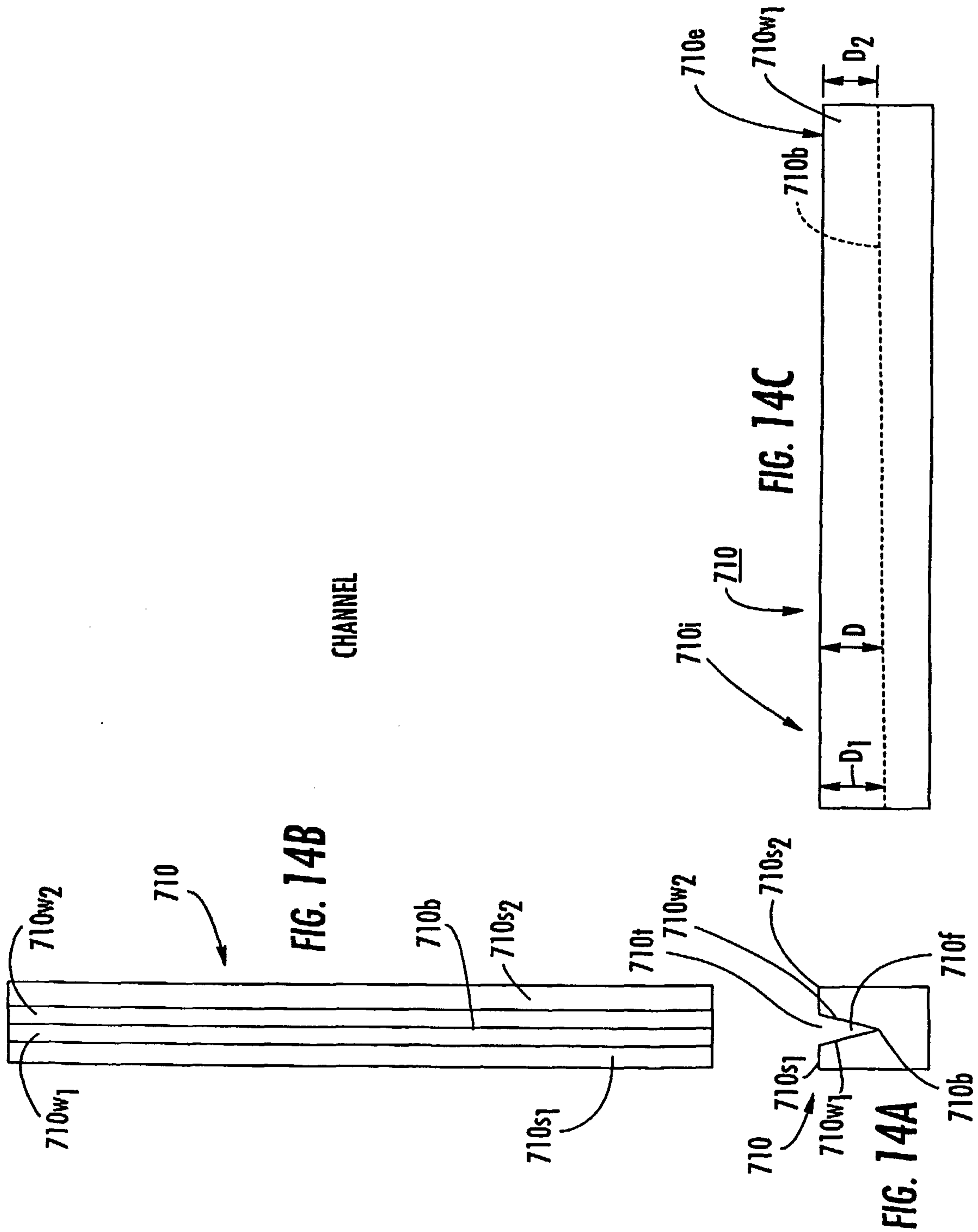


FIG. 12



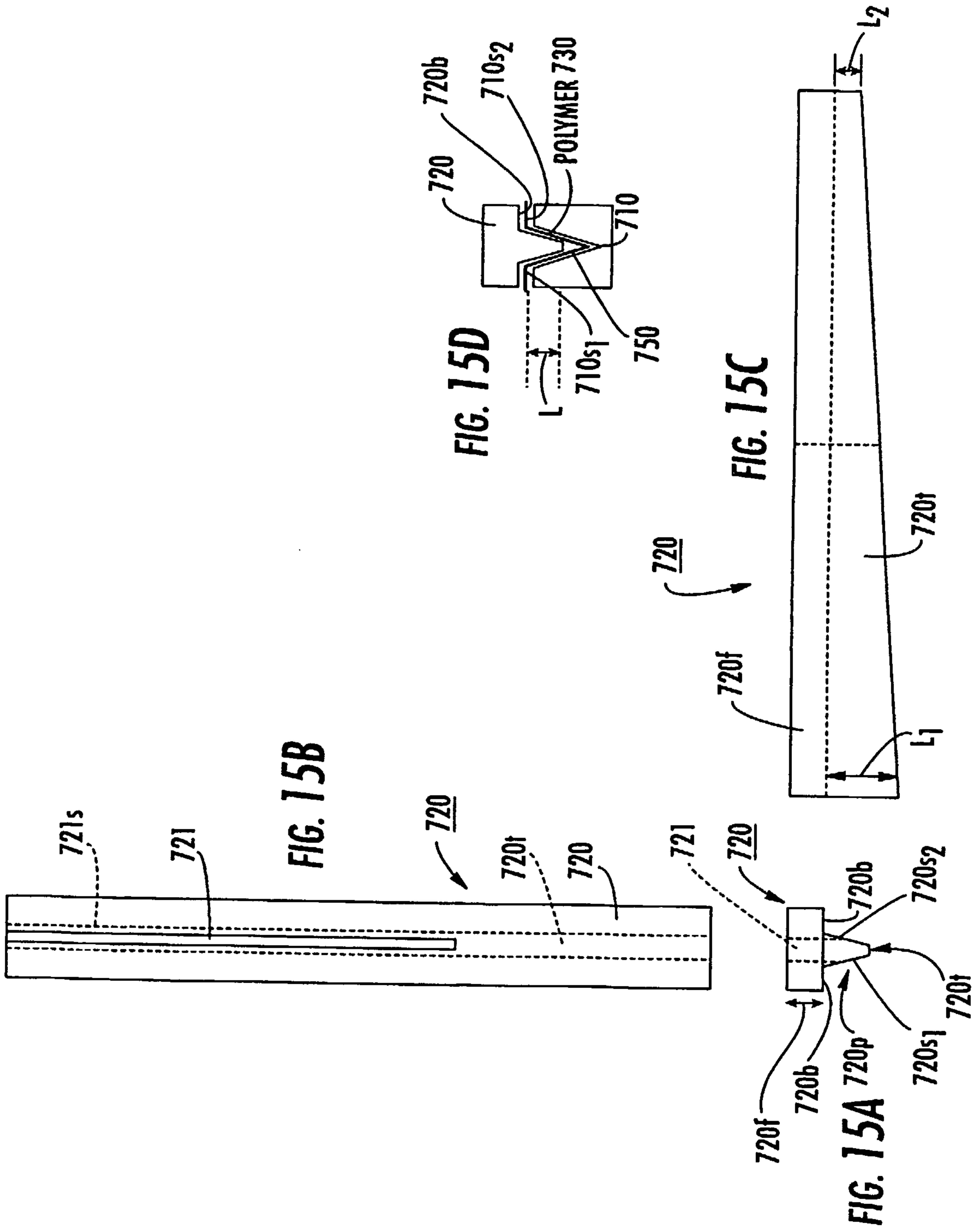


CHANNEL

FIG. 14B

FIG. 14C

FIG. 14A



PART 3: PIEZOELECTRIC POLYMER

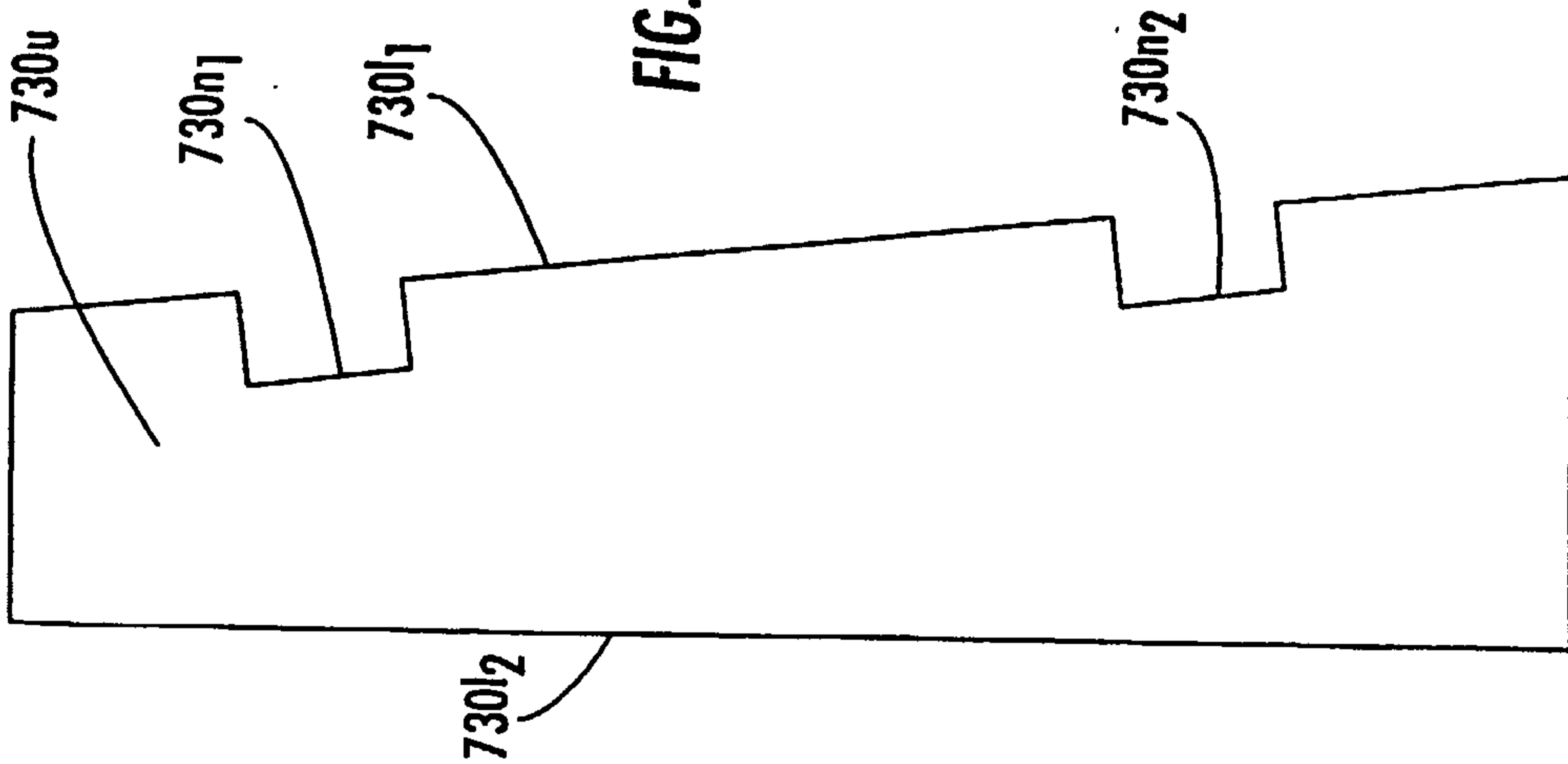


FIG. 16A

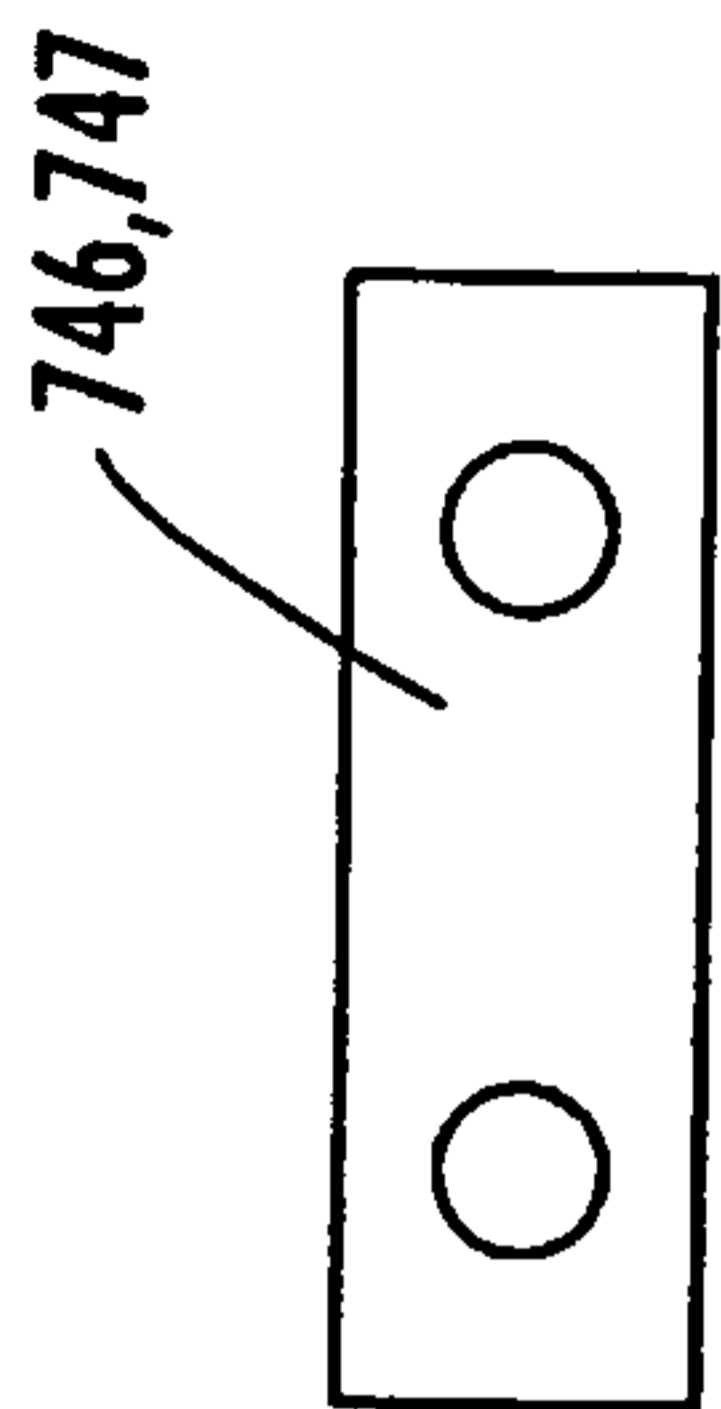


FIG. 16B

