



US0D1065604S

(12) **United States Design Patent**  
**Smucker**

(10) **Patent No.:** **US D1,065,604 S**

(45) **Date of Patent:** **\*\* Mar. 4, 2025**

- (54) **CABIN LOG NOTCH**
- (71) Applicant: **Lancaster Log Cabins**, Gap, PA (US)
- (72) Inventor: **Dan Smucker**, Gap, PA (US)
- (73) Assignee: **Lancaster Log Cabins**, Gap, PA (US)
- (\*\*) Term: **15 Years**
- (21) Appl. No.: **29/887,787**

- 2,005,921 A \* 6/1935 Reither ..... E04B 2/702  
52/274
- 2,021,341 A \* 11/1935 Ward ..... E04B 2/702  
52/592.5
- D99,550 S \* 5/1936 Paulson ..... D25/113

(Continued)

**FOREIGN PATENT DOCUMENTS**

- GB 6035937 \* 5/2018
- RU 00141698 \* 4/2023

**OTHER PUBLICATIONS**

A Frame Glamping Pod, posted Dec. 12, 2022 [online], [retrieved Oct. 3, 2024]. Retrieved from internet, <https://lancasterlogcabins.com/cabin-sheds/>, (verified with Google AI) (Year: 2022).\*

(Continued)

*Primary Examiner* — Brett Miller  
*Assistant Examiner* — Sara Michie Pottenger  
(74) *Attorney, Agent, or Firm* — Barley Snyder

(57) **CLAIM**

The ornamental design for a cabin log notch, as shown and described.

**DESCRIPTION**

FIG. 1 is a front, top and left side perspective view of a cabin log notch according to the invention; FIG. 2 is a rear, top and right side view thereof; FIG. 3 is a right side view thereof; FIG. 4 is a left side view thereof; FIG. 5 is a top view thereof; FIG. 6 is a bottom view thereof; FIG. 7 is a front view thereof; FIG. 8 is a rear view thereof; FIG. 9 is a front, bottom and left side view thereof; and, FIG. 10 is a rear, bottom and right side view thereof. The broken lines and stippling shown in the Figures are included to show unclaimed subject matter only and form no part of the claimed design.

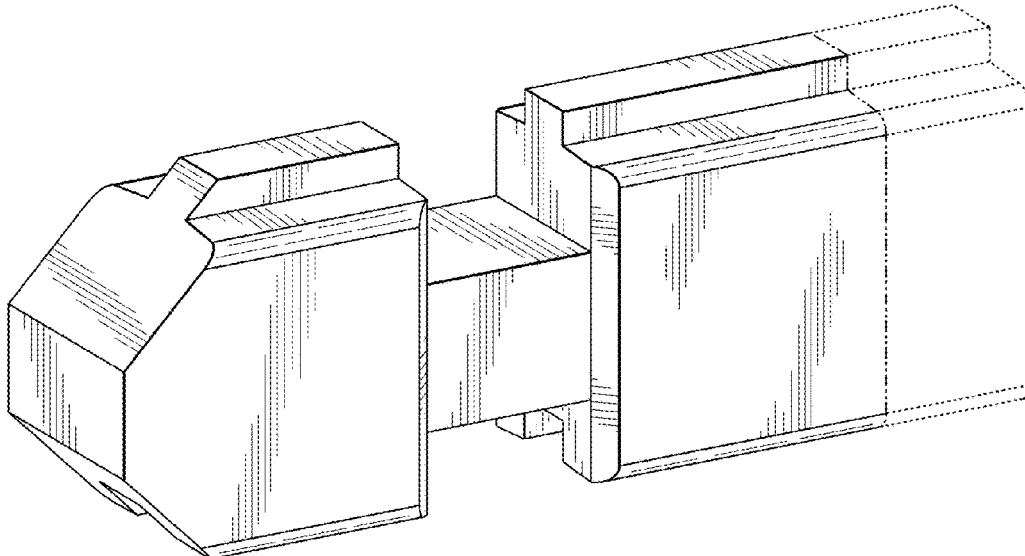
**1 Claim, 5 Drawing Sheets**

- (22) Filed: **Mar. 24, 2023**
- (51) **LOC (15) Cl.** ..... **25-31**
- (52) **U.S. Cl.**  
USPC ..... **D25/126**
- (58) **Field of Classification Search**  
USPC ... D25/1, 9, 17, 22, 29, 32, 33, 59, 60, 126,  
D25/113, 131; D21/486; D26/138  
CPC ..... E04B 2/708; E04B 2/702; E04B 2/704;  
E04B 2/705; E04B 1/34384; B65D 9/32;  
B65D 57/003; B65D 85/62; E04C 2/12;  
E04F 13/10; A63H 33/04; A63H 33/06;  
A63H 33/044; A63H 33/084  
See application file for complete search history.

(56) **References Cited**

**U.S. PATENT DOCUMENTS**

- D5,404 S \* 12/1871 Britton ..... D21/486
- 1,271,160 A \* 7/1918 Groves ..... A63H 33/044  
446/106
- 1,402,438 A \* 1/1922 Nichols ..... A63H 33/044  
446/85
- 1,562,006 A \* 11/1925 Sichterman ..... A63H 33/084  
446/124
- 1,608,273 A \* 11/1926 Glasgow ..... A63H 33/044  
D21/486
- 1,942,348 A \* 1/1934 Ward ..... E04B 2/702  
52/538



(56)

References Cited

U.S. PATENT DOCUMENTS

2,040,110	A *	5/1936	Tahvonen	E04B 2/702	4,320,612	A *	3/1982	Jeffries, Jr.	F27D 1/04
				144/354					52/592.4
2,059,598	A *	11/1936	Paulson	A63H 33/04	4,429,500	A *	2/1984	Farmont	E04B 2/702
				446/85					446/106
2,104,742	A *	1/1938	Fleischer	A63H 33/06	4,510,724	A *	4/1985	Magnuson	E04B 2/702
				446/106					52/286
2,110,787	A *	3/1938	Brandjord	E04B 2/708	4,903,447	A *	2/1990	McDade	E04B 2/702
				D25/113					52/592.5
2,183,620	A *	12/1939	Myers	E04B 2/702	D359,813	S *	6/1995	Hoffman	D25/131
				52/780	5,505,028	A *	4/1996	Giles	E04B 2/702
2,238,039	A *	4/1941	De Witt	A63H 33/04					52/233
				446/119	5,577,356	A *	11/1996	Hubbard	E04B 2/705
2,416,162	A *	2/1947	Drake	E04B 2/702					52/295
				144/136.7	5,915,582	A *	6/1999	Wawzonek	B65D 81/361
2,453,221	A *	11/1948	Haden	F16B 5/0068					220/DIG. 13
				126/39 B	6,094,876	A *	8/2000	Ogo	E04B 2/702
2,473,018	A *	6/1949	Edwards	E04B 2/702					52/272
				52/592.6	6,189,271	B1 *	2/2001	Christensen	E04B 2/702
2,525,659	A *	10/1950	Edson	E04B 2/702					446/106
				52/592.4	6,412,241	B1 *	7/2002	Chambers	E04B 2/702
2,712,678	A *	7/1955	Aage	E04B 2/702					52/592.5
				403/384	D465,579	S *	11/2002	Fening	D25/60
2,829,404	A *	4/1958	Wilson	E04C 2/12	D483,906	S *	12/2003	Chandler	D26/138
				D25/150	D661,815	S *	6/2012	Tobbe	D25/60
2,844,910	A *	7/1958	Korchak	A63H 33/06	2002/0088200	A1 *	7/2002	Chambers	E04B 2/702
				446/85					52/233
2,902,733	A *	9/1959	Justus	E04B 2/702	2003/0203703	A1 *	10/2003	DeSalvo	A63H 33/044
				52/592.6					446/106
3,007,279	A *	11/1961	Korchak	A63H 33/084	2004/0255531	A1 *	12/2004	Middleton	E04G 21/1858
				446/85					52/745.19
3,023,890	A *	3/1962	Scholten	B65D 25/04	2010/0043323	A1 *	2/2010	Wrightman	E04C 3/29
				217/65					427/299
3,257,762	A *	6/1966	Steiner	E04B 2/702	2011/0081824	A1 *	4/2011	Heston	A63H 33/084
				446/106					446/106
3,355,849	A *	12/1967	Hancock	E04B 2/22	2018/0223527	A1 *	8/2018	Marcio	E04B 1/18
				52/574	2023/0302379	A1 *	9/2023	Racz	A63H 33/084
3,381,428	A *	5/1968	Sillman	E04B 2/702	2024/0318422	A1 *	9/2024	Smucker	E04B 2/702
				217/65					
3,552,079	A *	1/1971	Mortensen	E04B 2/702					
				52/309.8					
3,863,409	A *	2/1975	Fell	E04B 2/702					
				446/106					
3,892,097	A *	7/1975	Bain	E04B 2/702					
				52/233					
D241,310	S *	9/1976	Bolt	D8/380					
4,279,108	A *	7/1981	Collister, Jr.	E04B 2/702					
				52/286					
4,287,694	A *	9/1981	Cornell	E04B 2/702					
				52/394					

OTHER PUBLICATIONS

Logs to Cabins, posted Feb. 28, 2023 [online], [retrieved Oct. 3, 2024]. Retrieved from internet, [https://www.youtube.com/watch?v=kT09aT\\_b84I](https://www.youtube.com/watch?v=kT09aT_b84I) (Year: 2023).\*

Pinterest, posted Jun. 1, 2018 [online], [retrieved Oct. 3, 2024]. Retrieved from internet, <https://mx.pinterest.com/pin/948359634006019083/>, (verified with Google AI) (Year: 2018).\*

One Roomer Cabin, posted Dec. 12, 2022 [online], [retrieved Oct. 3, 2024]. Retrieved from internet, <https://lancasterlogcabins.com/cabin-sheds/>, (verified with Google AI) (Year: 2022).\*

\* cited by examiner

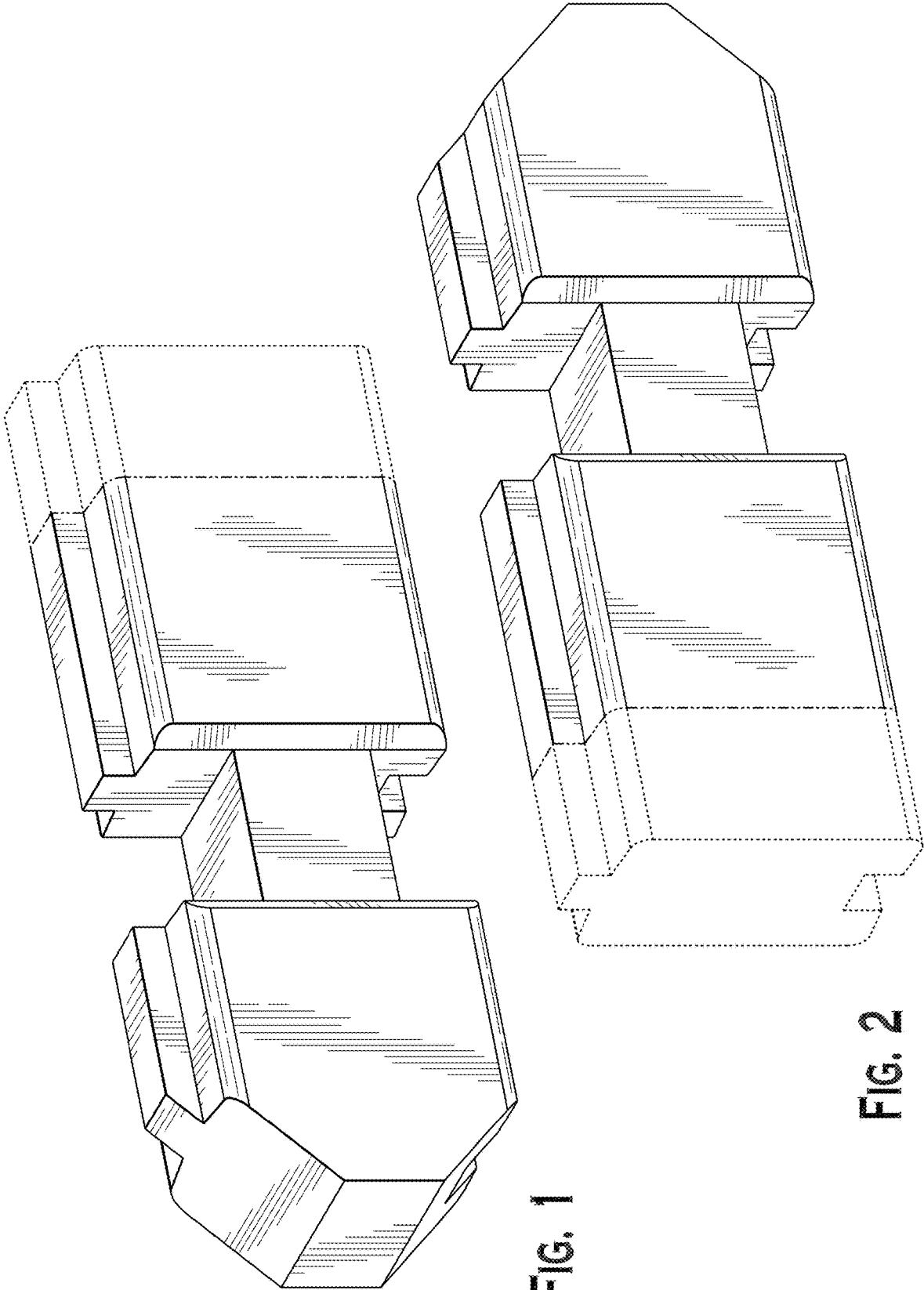


FIG. 1

FIG. 2

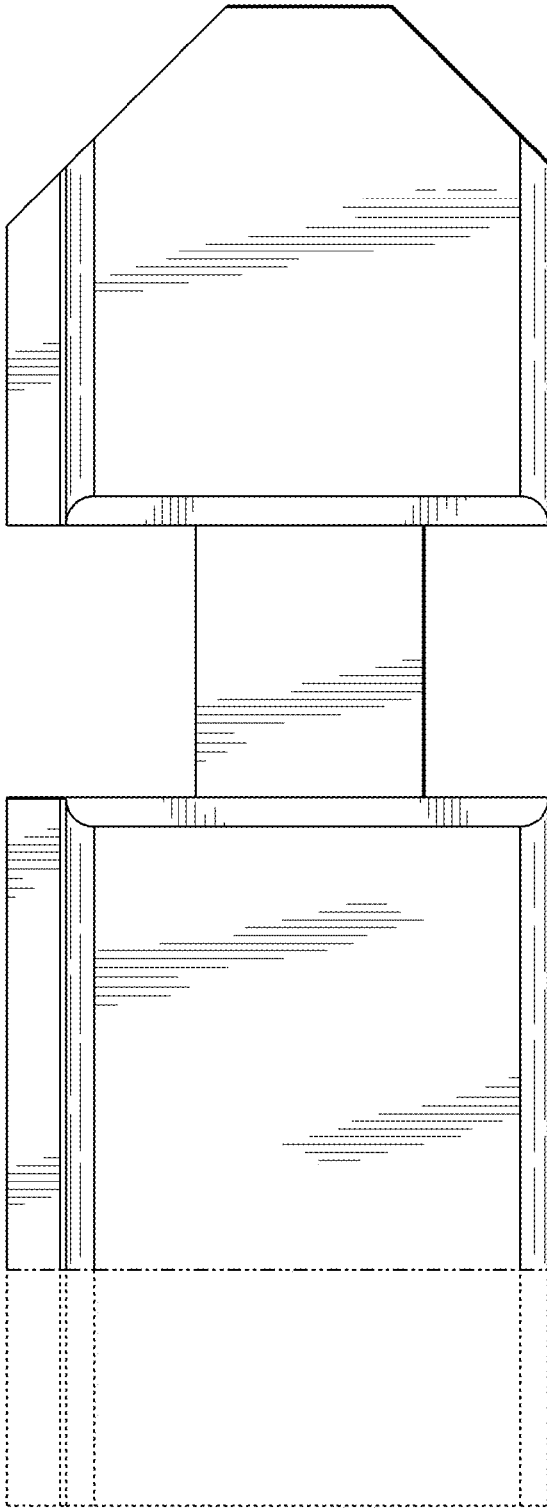


FIG. 3

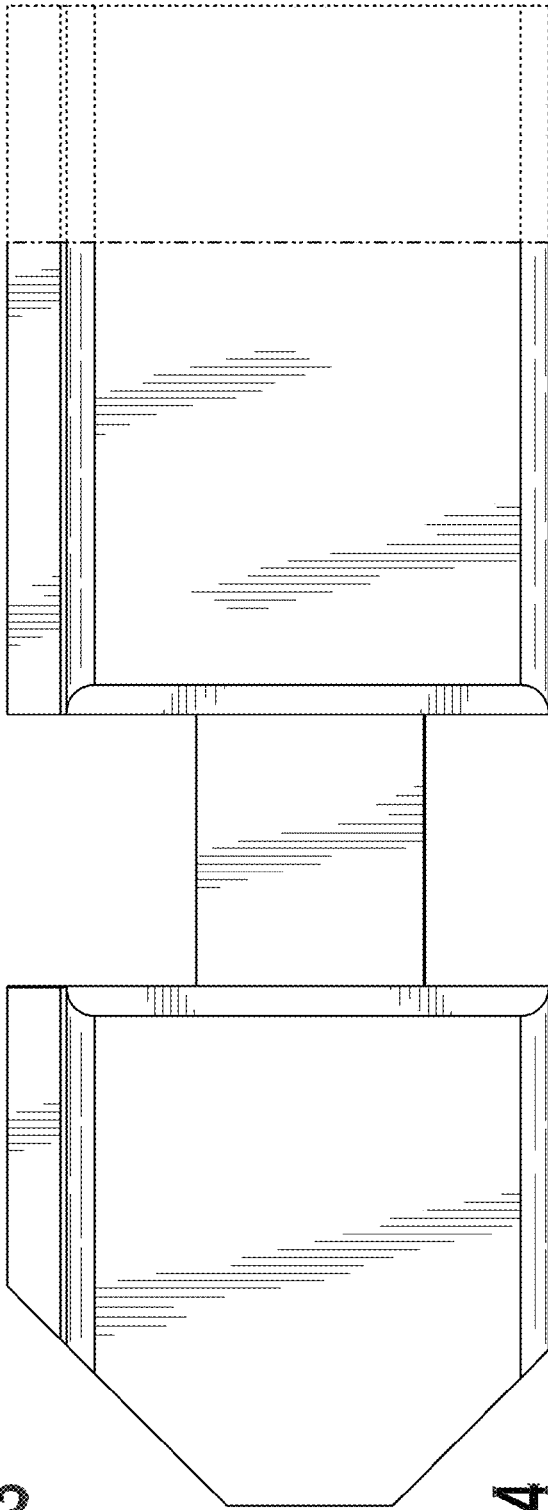


FIG. 4

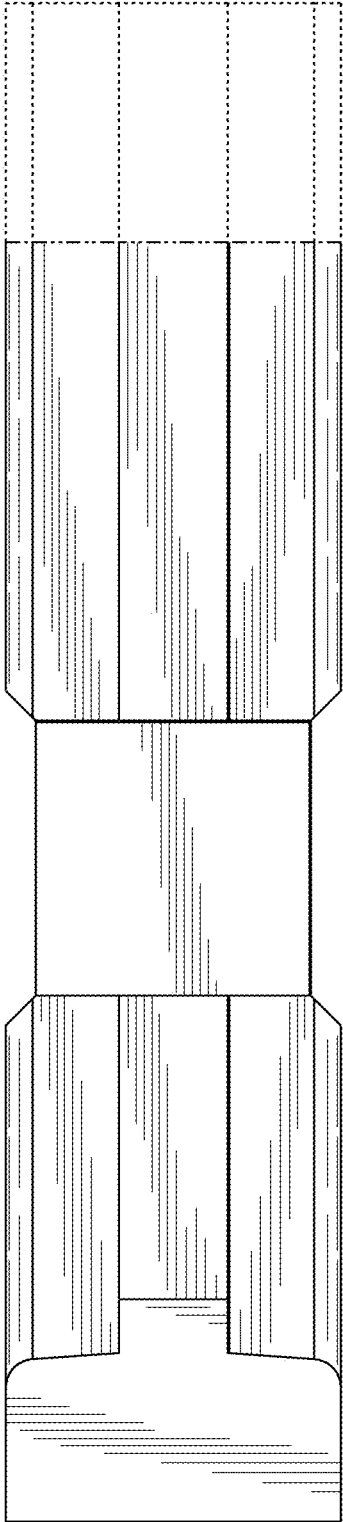


FIG. 5

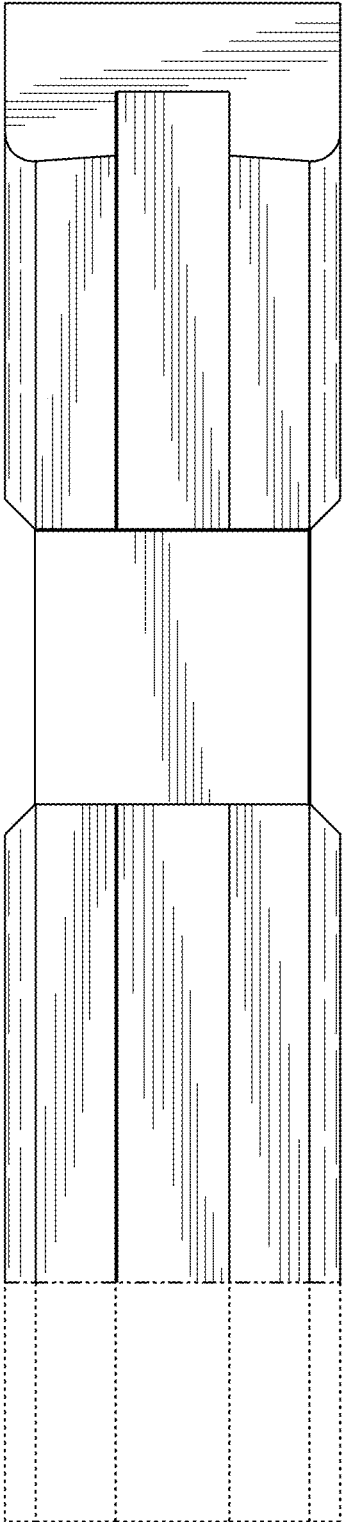


FIG. 6

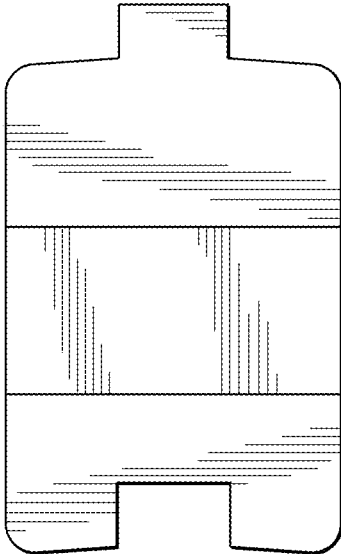


FIG. 7

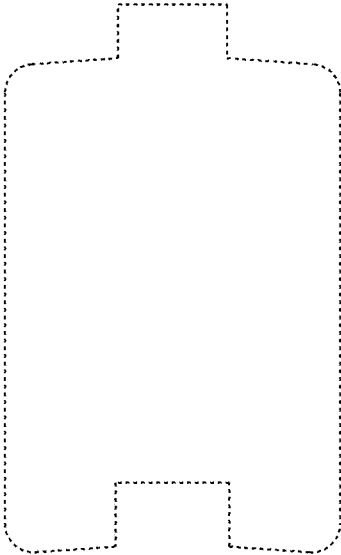


FIG. 8

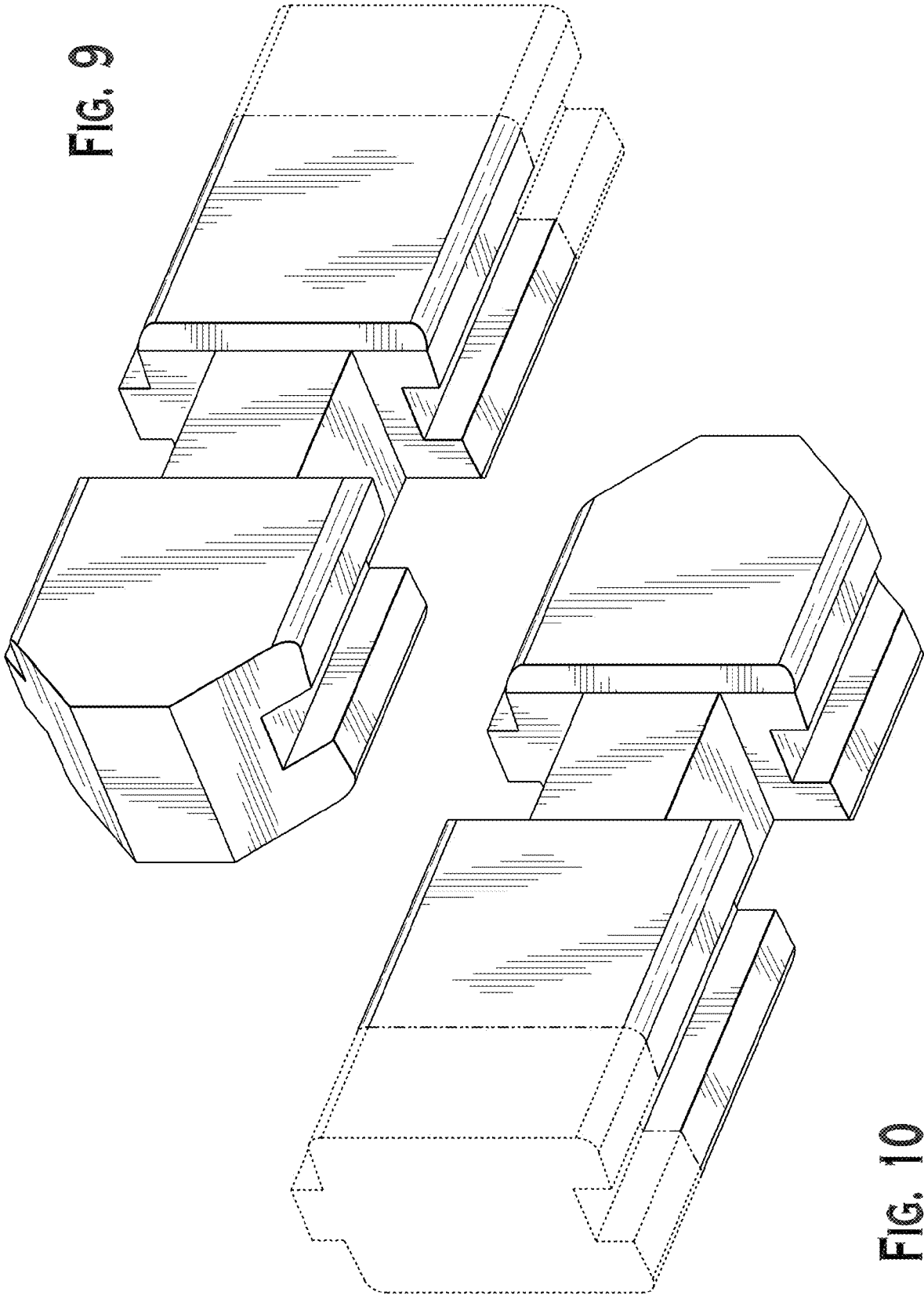


FIG. 9

FIG. 10