



US00D366266S

United States Patent [19]

[11] Patent Number: **Des. 366,266**

Blair et al.

[45] Date of Patent: ****Jan. 16, 1996**

[54] **PORTABLE SHREDDING MACHINE**

5,322,307 6/1994 Tilton et al. 241/101.7

[75] Inventors: **Leonard Blair**, Malvern; **Frank Cizek**, Bala Cynwyd, both of Pa.

FOREIGN PATENT DOCUMENTS

3522615 1/1987 Germany 241/101.7

[73] Assignee: **Concept Products**, Bryn Mawr, Pa.

Primary Examiner—Sandra L. Morris
Attorney, Agent, or Firm—Dowell & Dowell

[**] Term: **14 Years**

[57] CLAIM

[21] Appl. No.: **17,792**

The ornamental design for a portable shredding machine, as shown and described.

[22] Filed: **Jan. 24, 1994**

[52] U.S. Cl. **D15/27; D15/10**

[58] Field of Search D15/10; 100/100; 241/55, 56, 73, 92, 101.7, 186 R, 282.2

DESCRIPTION

[56] References Cited

U.S. PATENT DOCUMENTS

D. 234,815	4/1975	Mackissic	D15/10
D. 306,597	3/1990	Vanden Bos	D15/10
3,436,025	4/1969	Sheldon	241/55
4,773,600	9/1988	Stumpit	241/101.7
4,938,426	7/1990	Koenig	241/222
5,199,653	4/1993	Durrant et al.	D15/10

FIG. 1 is a front perspective view of a portable shredding machine, showing our new design, the broken line showing of the tires is for illustrative purposes only, and forms no part of the claimed design;

FIG. 2 is a right side elevational view;

FIG. 3 is a rear plan view;

FIG. 4 is a left side elevational view;

FIG. 5 is a front plan view; and,

FIG. 6 is a top plan view thereof.

1 Claim, 3 Drawing Sheets

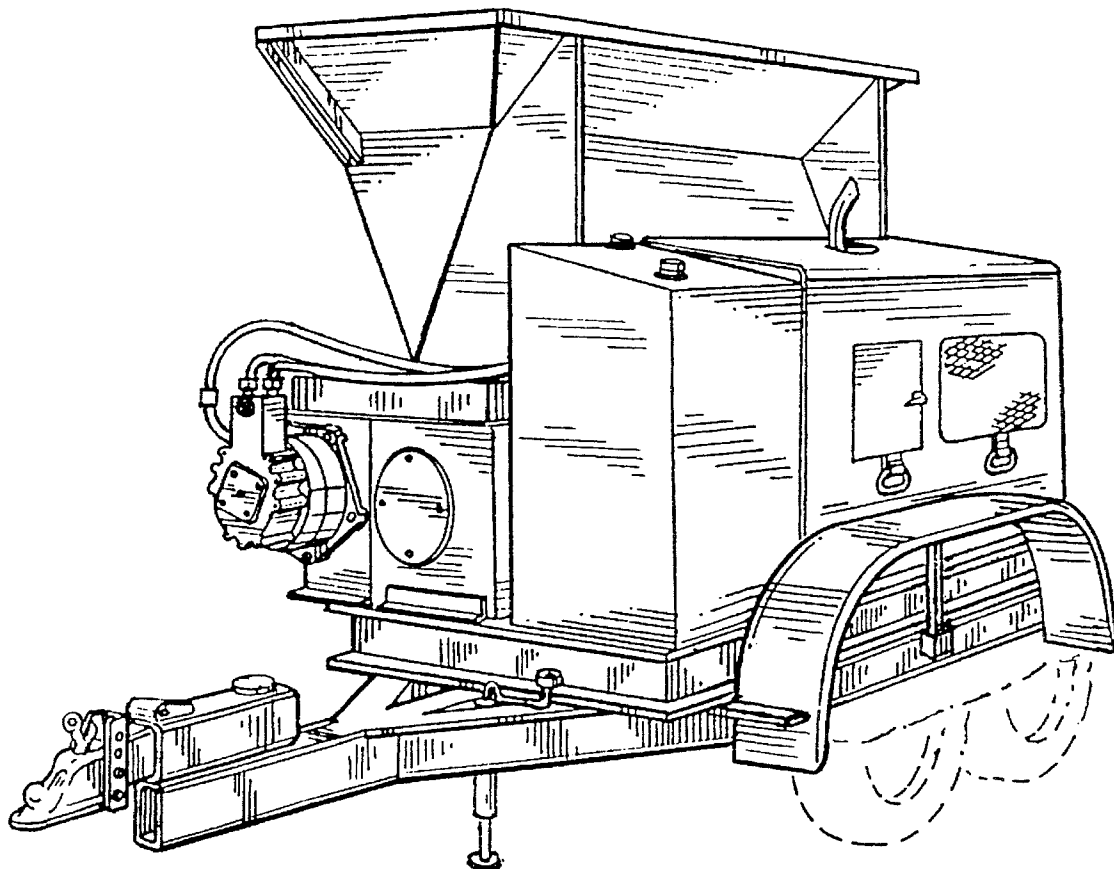


FIG. 1

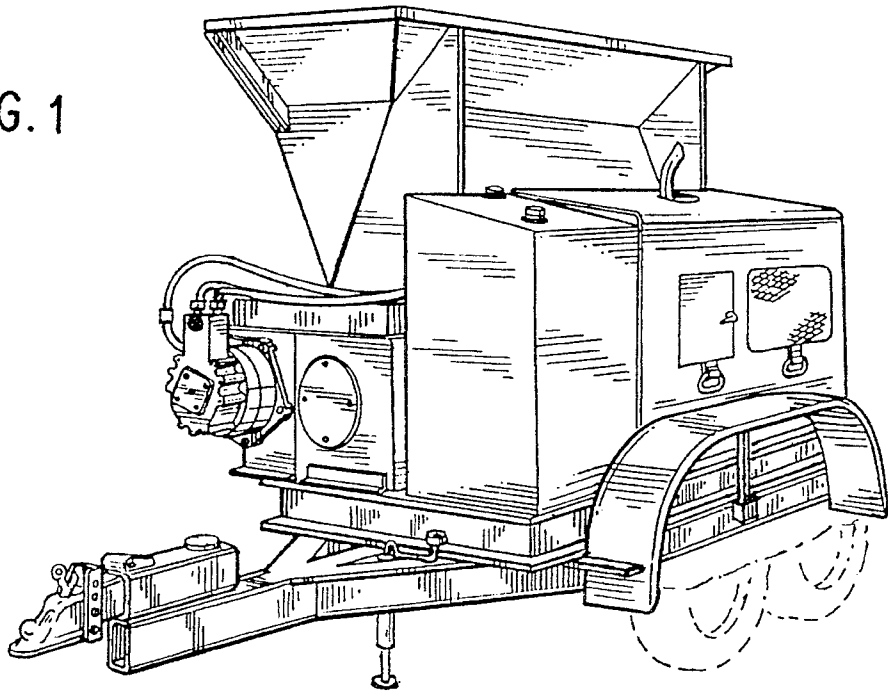


FIG. 2

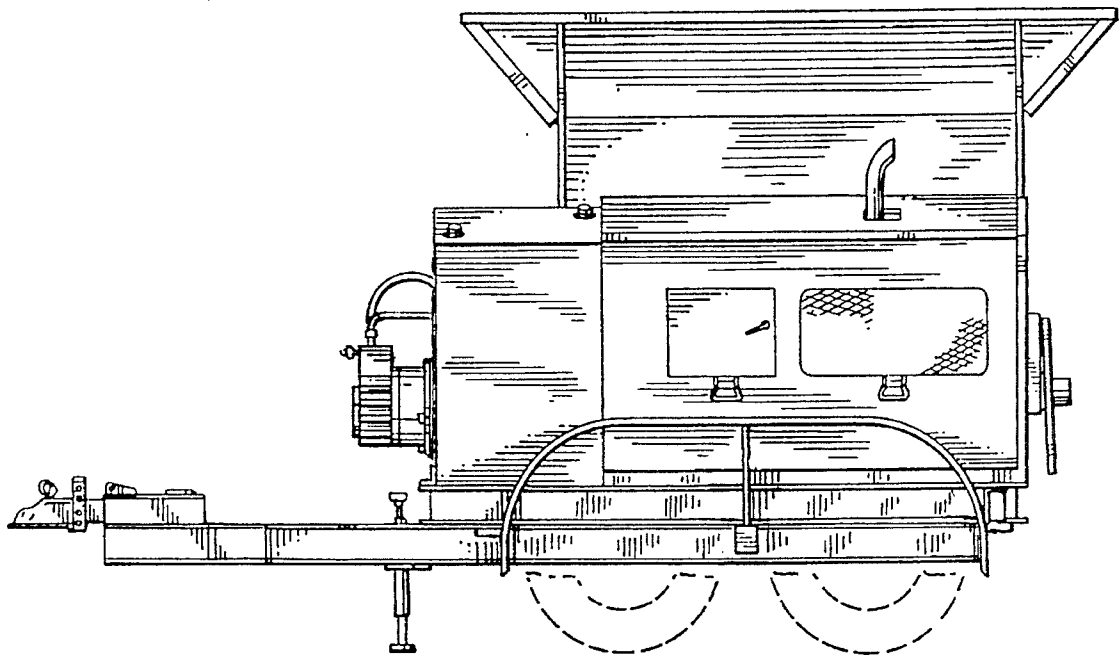


FIG. 3

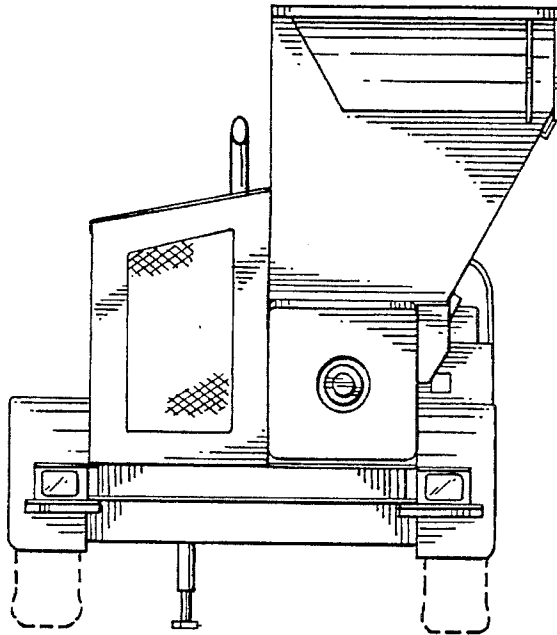


FIG. 4

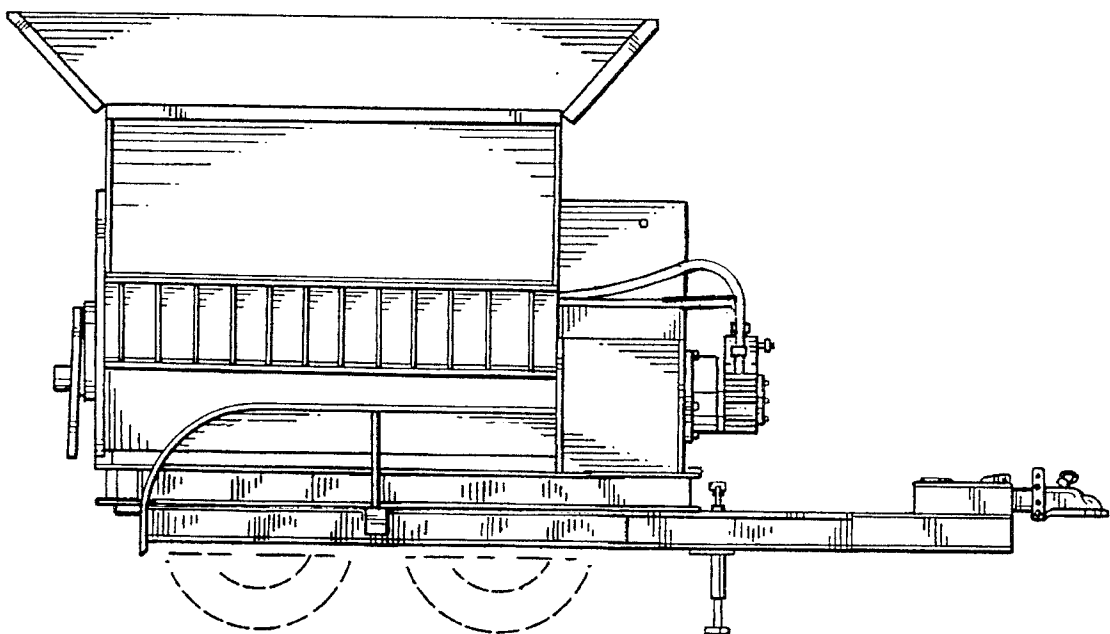


FIG. 5

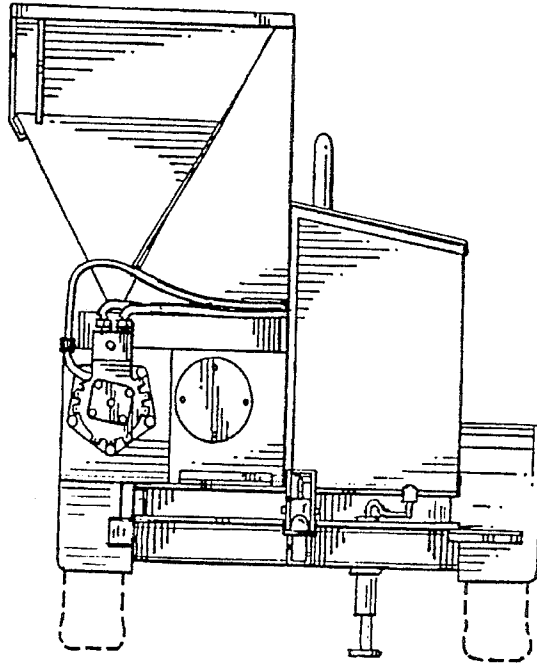


FIG. 6

