



(22) **Date de dépôt/Filing Date:** 2013/10/23

(41) **Mise à la disp. pub./Open to Public Insp.:** 2014/04/26

(45) **Date de délivrance/Issue Date:** 2020/03/10

(30) **Priorité/Priority:** 2012/10/26 (EP12190123.5)

(51) **Cl.Int./Int.Cl. G02B 6/46** (2006.01)

(72) **Inventeurs/Inventors:**

CIECHOMSKI, TOMASZ ANDRZEJ, PL;

FABRYKOWSKI, GRZEGORZ, PL;

RUDA, MICHAL, PL;

STRUNCK, SVEN, PL

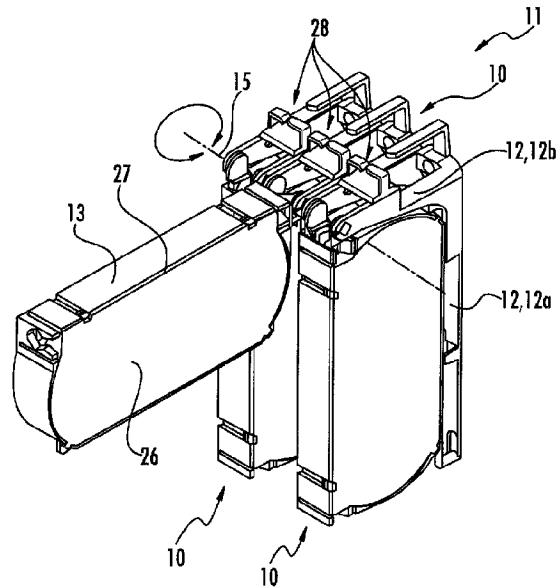
(73) **Propriétaire/Owner:**

CORNING OPTICAL COMMUNICATIONS LLC, US

(74) **Agent:** GOWLING WLG (CANADA) LLP

(54) **Titre : MODULE DE GESTION DE FIBRES OPTIQUES ET DISPOSITIF DE DISTRIBUTION DE FIBRES OPTIQUES**

(54) **Title: FIBER OPTIC MANAGEMENT UNIT AND FIBER OPTIC DISTRIBUTION DEVICE**



(57) **Abrégé/Abstract:**

A fiber optic management unit for handling optical fibers unit having a base with first and second segments running perpendicular to each other. A tray is pivotably attached to the second segment such that the tray is transferable between a first position in which the fiber routing track of the first segment is closed and a second position in which the fiber routing track of the first segment is opened when the tray is pivoted around a first axis, and wherein the tray is transferable between the second position in which the fiber routing track of the first segment is opened and a third position in which the fiber routing track of the first segment is also opened when the tray is pivoted around a second axis running perpendicular to the first axis.

Attorney Docket No.: HI12-111

ABSTRACT

A fiber optic management unit for handling optical fibers unit having a base with first and second segments running perpendicular to each other. A tray is pivotably attached to the second segment such that the tray is transferable between a first position in which the fiber routing track of the first segment is closed and a second position in which the fiber routing track of the first segment is opened when the tray is pivoted around a first axis, and wherein the tray is transferable between the second position in which the fiber routing track of the first segment is opened and a third position in which the fiber routing track of the first segment is also opened when the tray is pivoted around a second axis running perpendicular to the first axis.

FIBER OPTIC MANAGEMENT UNIT AND FIBER OPTIC DISTRIBUTION DEVICE

BACKGROUND

Field

[0002] The present patent application relates to a fiber optic management unit. Further on, the present patent application relates to a fiber optic distribution device comprising at least two fiber optic management units.

Technical Background

[0003] When designing data transmission networks comprising optical fibers, it is necessary to handle optical fibers, especially to connect optical fibers to one another. Junctions between optical fibers can be provided by patch connections and splice connections. Such junctions need to be handled both outside buildings and inside buildings. Outside buildings, junctions between optical fibers are accommodated in so called cable sleeves or street cabinets. Inside buildings, junctions between optical fiber are handled in so called distribution cabinets or distribution frames. So called wall boxes are used for the handling of junctions between optical fibers both outside buildings and inside buildings.

[0004] US 5,689,606 shows a fiber optic management unit for handling optical fibers. The fiber optic management unit known from US 5,689,606 comprises a base having two segments running perpendicular to each other, wherein the fiber optic management unit is mountable to a support structure through a first segment of the base, and wherein

Attorney Docket No.: HI12-111

the two segments of the base provide a fiber routing track for optical fibers. The fiber optic management unit known from US 5,689,606 further comprises a tray, wherein the tray is pivotably attached to a free end of a second segment of the base in such a way that the tray is transferable between a first position in which the fiber routing track of the first segment is closed and a second position in which the fiber routing track of the first segment is opened by pivoting the tray around a first axis.

SUMMARY

[0005] The present application is based on providing a novel fiber optic management unit and a novel fiber optic distribution device suitable for handling optical fibers both outside buildings and inside buildings, the fiber optic management unit being modular and scalable on demand.

[0006] The tray of the fiber optic management unit according to the present patent application is in addition transferable between the second position in which the fiber routing track of the first segment is opened and a third position in which the fiber routing track of the first segment is also opened by pivoting the tray around a second axis running perpendicular to the first axis.

[0007] The fiber optic management unit according to the present patent application is a modular, scalable fiber optic management unit for fiber optic distribution devices. The fiber optic management unit according to the present patent application enables capacity-growth and provides a high density solution. The fiber optic management unit according to the present patent application provides a common installation method that does not depend on the number of optical fibers to be handled.

[0008] Preferably, the tray is transferable between the first position and the second position by pivoting the same around the first axis by approximately 90° and between the second position and the third position by pivoting the same around the second axis by approximately 90°, wherein the first pivoting axis runs perpendicular to the routing direction of optical fibers through the second segment of the base, and wherein the second pivoting axis runs parallel to the routing direction of optical fibers through the second segment of the base. The fiber optic management enables capacity-growth on demand and provides a high density solution.

Attorney Docket No.: HI12-111

[0009] According to a preferred further development, the first axis and the second axis are both provided by a common hinge. Preferably, the hinge comprises a U-shaped first section with protrusions extending from opposite lateral walls of the first section providing the first axis, and further a cylinder-like second section extending from a middle wall of the first section providing the second axis, wherein the second section extends in an opposite direction from the middle wall of the first section than the opposite lateral walls of the same. Such a hinge is easy to manufacture and provides a reliable pivoting of the tray between the first position and the second position and between the second position and the third position.

[0010] Preferably, the U-shaped first section and the cylinder-like second section of the hinge comprise both a central feed-through channel for optical fibers guiding the optical fibers along the second axis. This allows a safe handling of the fibers with a minimal bending of the same when pivoting the tray around the first axis and around the second axis.

BRIEF DESCRIPTION OF THE DRAWINGS

[0011] Preferred embodiments of the fiber optic distribution device and fiber optic management unit are given in the dependent claims and the description below. Exemplary embodiments will be explained in more detail with reference to the drawing, in which:

[0012] Figure 1 shows an array of three fiber optic management units in a first status of the same;

[0013] Figure 2 shows the array of Figure 1 with one fiber optic management unit being pivoted in a second status of the same;

[0014] Figure 3 shows the array of Figure 1 with one fiber optic management unit being pivoted in a third status of the same;

[0015] Figure 4 shows one fiber optic management unit in the second status of the same;

[0016] Figure 5 shows one fiber optic management unit in the third status of the same;

[0017] Figure 6 shows a hinge of one fiber optic management unit; and

[0018] Figure 7 shows an entry guide of one fiber optic management unit.

Attorney Docket No.: HI12-111

DETAILED DESCRIPTION

[0019] The present patent application relates to a fiber optic management unit 10. Further on, the present patent application relates to a fiber optic distribution device comprising at least two fiber optic management units 10 positioned side by side providing an array of fiber optic management units 10. Figures 1 to 3 each show an array 11 of three fiber optic management units 10. Figures 4 and 5 each show one fiber optic management unit 10.

[0020] The fiber optic management unit 10 comprises a base 12 being L-shaped having two segments 12a, 12b running perpendicular to each other. The fiber optic management unit 10 is mountable to a support structure through a first segment 12a of the base 12. The two segments 12a, 12b of the base 12 provide a fiber routing track for optical fibers.

[0021] The fiber optic management unit 10 further comprises a tray 13. The tray 13 is pivotably attached to a free end 14 of a second segment 12b of the base 12 in such a way that tray 13 is transferable between a first position (see middle tray 13 in Figure 1) in which the fiber routing track of the first segment 12a is closed and a second position (see Figure 4 and middle tray 13 in Figure 2) in which the fiber routing track of the first segment 12a is opened by pivoting the tray 12 around a first axis 15.

[0022] The tray 13 is in addition transferable between the second position (see Figure 4 and middle tray 13 in Figure 2) in which the fiber routing track of the first segment 12a is opened and a third position (see Figure 5 and middle tray 13 in Figure 3) in which the fiber routing track of the first segment 12a is also opened by pivoting the tray 13 around a second axis 16 running perpendicular to the first axis 15.

[0023] The tray 13 is transferable between the first position and the second position by pivoting the same around the first axis 15 by approximately 90°, wherein the first pivoting axis 15 runs perpendicular to the routing direction of optical fibers through the second segment 12b of the base 12. The tray 13 is transferable between the second position and the third position by pivoting the same around the second axis 16 by approximately 90°, wherein the second pivoting axis 16 runs parallel to the routing direction of optical fibers through the second segment 12b of the base 12.

Attorney Docket No.: HI12-111

[0024] All three positions of the tray 13 are stable. The first position (see middle tray 13 in Figure 1) is typical when the fiber optic management unit 10 is not subjected to any work being done on it by installers. In this first position the tray 13 is well protected and access to the interior of the tray 13 is restricted. In addition, in this first position the fiber routing track in the base 12 is also protected and cannot be accessed. The second position (see middle tray 13 in Figure 2) is a transition position where the fiber routing track in the base 12 can be accessed. However it's not a position where tray 13 is subjected to work being done on it. Compared to the first position, the tray 13 is in the second position rotated by 90° with respect to the base 12 around the first axis 15. The third position (see middle tray 13 in Figure 3) is a position where the tray 13 is accessible. This is the position dedicated to splicing or managing of fibers within the tray 13. Compared to the second position, the tray 13 is in the third position rotated by 90° with respect to the base 12 around the second axis 16.

[0025] In each of the above mentioned positions the tray 13 is releasably locked and transition from one position to another requires a certain amount of a force applied to the tray 13 in the pivoting direction.

[0026] The first pivoting axis 15 of the tray 13 and the second pivoting axis 16 of the tray 13 are both provided by a common hinge 17 (see Figure 6). The hinge 17 attaches the tray 13 to the free end 14 of the second segment 12b of the base 12. The hinge 17 comprises a U-shaped first section 17a with preferably protrusions 18 extending from opposite lateral walls 19 of the first U section 17a providing the first pivoting axis 15. The hinge 17 further comprises a second section 17b with a cylinder-like wall 21 extending from a middle wall 20 of the first section 17a providing the second pivoting axis 16, wherein the second section 17b extends in an opposite direction from the middle wall 20 of the first section 17a than the opposite lateral walls 19 of the same.

[0027] The above described three positions of the tray 13 are technically feasible due to the design of the hinge 17. The hinge 17 provides the above described two independent axes 15 and 16 of revolution. The first axis 15 is based on the protrusions 18 of the first segment 17a of the hinge 17, whereby this first axis 15 is used to pivot the tray 13 with respect to the base 12 from the first position into the second position or vice versa from the second position into the first position. The second axis 16 is based on the cylinder-

Attorney Docket No.: HI12-111

like wall 21 of second section 17b, whereby this second axis 16 is used to pivot the tray 13 with respect to the base 12 from the second position into the third position or vice versa from the third position into the second position.

[0028] The U-shaped first section 17a of the hinge 17 and the cylinder-like second section 17b of the hinge 17 comprise both a central feed-through channel 22 for optical fibers guiding the optical fibers along the second axis 16. The feed-through channel 22 is used to guide optical fibers from the base 12 to the tray 13, namely from the fiber routing track of the base 12 into the interior of the tray 13.

[0029] Due to the fact that the optical fibers run along the second pivoting axis 16 through the hinge 17, the optical fibers are subject only to a minimal bending while pivoting the tray 13 with respect to the base 12 from the second position into the third position or vice versa from the third position into the second position.

[0030] For better handling of the optical fibers, the hinge 17 has a lateral opening 23 which is used for inserting optical fibers into or removing optical fibers out of the feed-through channel 22.

[0031] As described above, in each of the above positions of the tray 13 the same is releasably locked. The transition of the tray 13 from one position to another requires a certain value of a force applied to the tray 13 in the desired pivoting direction. This is provided by locking elements 24 and 25 being integral with the pin-like protrusions 18 of the first section 17a and the cylinder-like wall 21 of the second section 17b of the hinge 17. The locking elements 24 being integral with the protrusions 18 releasably lock the tray 13 with respect to the first pivoting axis 15. The locking elements 25 being integral with cylinder-like wall 21 releasably lock the tray 13 with respect to the second pivoting axis 16.

[0032] The tray 13 of the fiber optic management unit 10 comprises a cover 26. The cover 26 is closed in the first position of the tray 13 and in the second position of the tray 13, wherein the cover 26 can be opened in the third position of the tray 13 by pivoting the cover around a pivoting axis 27 running in parallel to the second axis 16 to provide access to the interior of the tray 13. When the cover 26 is closed access is not provided to the interior of the tray 13 and the cover 26 protects fiber optic equipment like

Attorney Docket No.: HI12-111

splitters or WDM filters and/or the same protects junctions between optical fibers like patch connections or splice connections accommodated in the tray 13.

[0033] An entry guide 28 (see Figure 7) for optical fibers is attached to the second segment 12b of the base 12. The fiber entry guide 28 is attached to the second segment 12b of the base 12 to provide bending radius control in the entry area of the tray 13. Additionally, the fiber entry guide 28 groups fibers into a single bunch.

[0034] The fiber entry guide 28 comprises a basic body 29 with a round surface 30 providing safety bending radius control for the optical fibers entering the tray 13 through the feed-through channel 22 of the hinge 17. Further on, the fiber entry guide 28 comprises grouping arms 31 extending from the basic body 29 to collect separate fibers into a single bunch before entering the tray 13 through the feed-through channel 22 of the hinge 17. The grouping arms 31 are both L-shaped and define a slot 32 for inserting optical fibers into or removing optical fibers out of the fiber entry guide 28.

[0035] The first segment 12a of the base 12 through which the fiber optic management unit 10 is mountable to a support structure comprises guide elements 33, 34 for optical fibers.

[0036] First guide elements 33 guide optical fibers when the same run along one first segment 12a of one base 12 of a respective fiber optic management unit 10. Second guide elements 34 guide optical fibers when the same run perpendicular to this direction across several first segments 12b of fiber optic management units 10 being positioned side by side. The guide elements 33, 34 provide safety bending radius control for the optical fibers.

[0037] The fiber optic management units 10 of the array 11 are positioned side by side such that all of the trays 13 are aligned when all of the trays 13 are in the first position or when all of the trays 13 are in the second position. It is not possible that all of the trays 13 are in the third position at the same time.

[0038] Individual access to the trays 13 is allowed by pivoting the respective tray 13 successively around the first axis 15 and then around the second axis 16 thereby pivoting the respective tray 13 successively from the first position into the second position and afterwards from the second position into the third position.

Attorney Docket No.: HI12-111

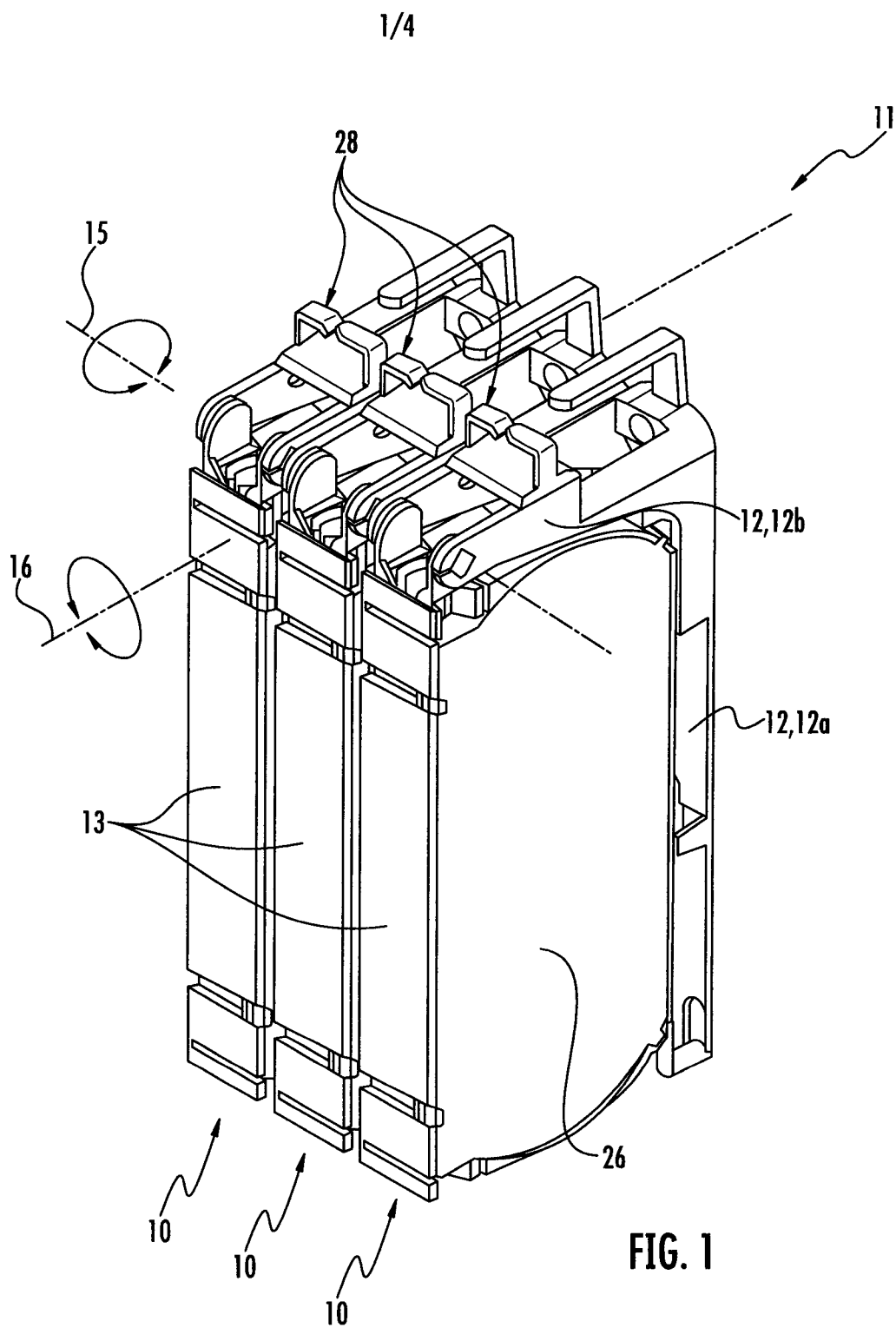
[0039] The number of arrayed fiber optic management units 10 depends on the required fiber count capacity. The number of fiber optic management units 10 in an array is only limited to the available space in a fiber optic distribution device to which the fiber optic management units 10 are installed.

What is claimed is:

1. A fiber optic management unit for handling optical fibers, the fiber optic management unit comprising:
 - a base having first and second segments running perpendicular to each other, wherein the fiber optic management unit is mountable to a support structure through the first segment of the base, and wherein the first and second segments of the base provide a fiber routing track for optical fibers; and
 - a tray pivotably attached to a free end of the second segment of the base such that the tray is transferable between a first position in which the fiber routing track of the first segment is closed and a second position in which the fiber routing track of the first segment is opened when the tray is pivoted around a first axis, and wherein the tray is transferable between the second position in which the fiber routing track of the first segment is opened and a third position in which the fiber routing track of the first segment is also opened when the tray is pivoted around a second axis running perpendicular to the first axis.
2. The fiber optic management unit of claim 1, wherein the tray is transferable between the first position and the second position when the tray is pivoted around the first axis by approximately 90°.
3. The fiber optic management unit of either one of claims 1 and 2, wherein the first pivoting axis runs perpendicular to the routing direction of optical fibers through the second segment of the base.
4. The fiber optic management unit of claim 1, wherein the tray is transferable between the second position and the third position when the tray is pivoted around the second axis by approximately 90°.

5. The fiber optic management unit of any one of claims 1 - 4, wherein the second pivoting axis runs parallel to the routing direction of optical fibers through the second segment of the base.
6. The fiber optic management unit of any one of claims 1 - 5, further comprising a common hinge, wherein the first axis and the second axis are both provided by a common hinge.
7. The fiber optic management unit of claim 6, wherein the common hinge comprises,
 - a U-shaped first section with protrusions extending from opposite lateral walls of the first section providing the first axis, and
 - a cylinder-like second section extending from a middle wall of the first section providing the second axis, wherein the second section extends in an opposite direction from the middle wall of the first section than the opposite lateral walls of the first section.
8. The fiber optic management unit of claim 7, wherein the U-shaped first section and the cylinder-like second section comprise both a central feed-through channel for optical fibers guiding the optical fibers in the direction of the second axis.
9. The fiber optic management unit of claim 8, wherein the U-shaped first section and the cylinder-like second section comprise both a lateral opening for inserting optical fibers into or for removing optical fibers out of the feed-through channel.

10. The fiber optic management unit of claim 7, wherein the protrusions are pin-like.
11. The fiber optic management unit of any one of claims 7 - 10, further comprising locking elements are integral with the protrusions of the first section of the hinge and the cylinder-like wall of the second section of the hinge.
12. The fiber optic management unit of any one of claims 1 - 11, wherein the tray comprises a cover, and wherein the cover is closed in the first and second position of the tray, and wherein the cover can be opened in the third position of the tray.
13. The fiber optic management unit of any one of claims 1 - 12, further comprising an entry guide for optical fibers attached to the second segment of the base.
14. A fiber optic distribution device of any one of claims 1 - 13 comprising at least two fiber optic management units.
15. The fiber optic management device of claim 14, wherein the fiber optic management units are positioned side by side providing an array of trays when all trays are in the first position and allowing individual access to the trays by pivoting the same successively around the first axis and then around the second axis.



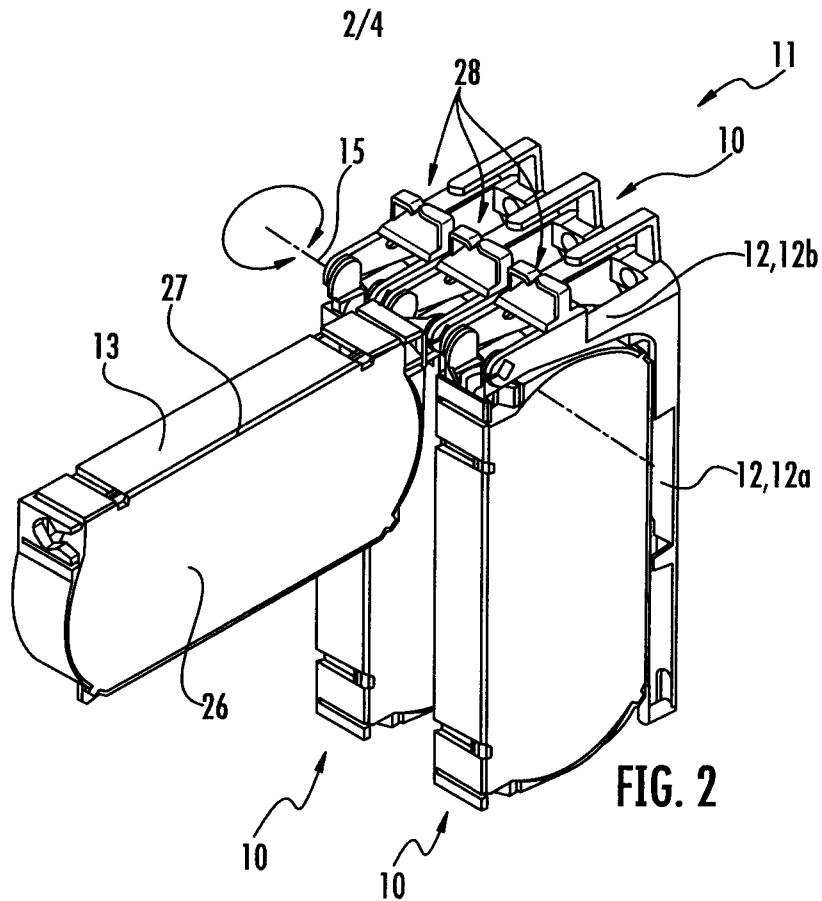


FIG. 2

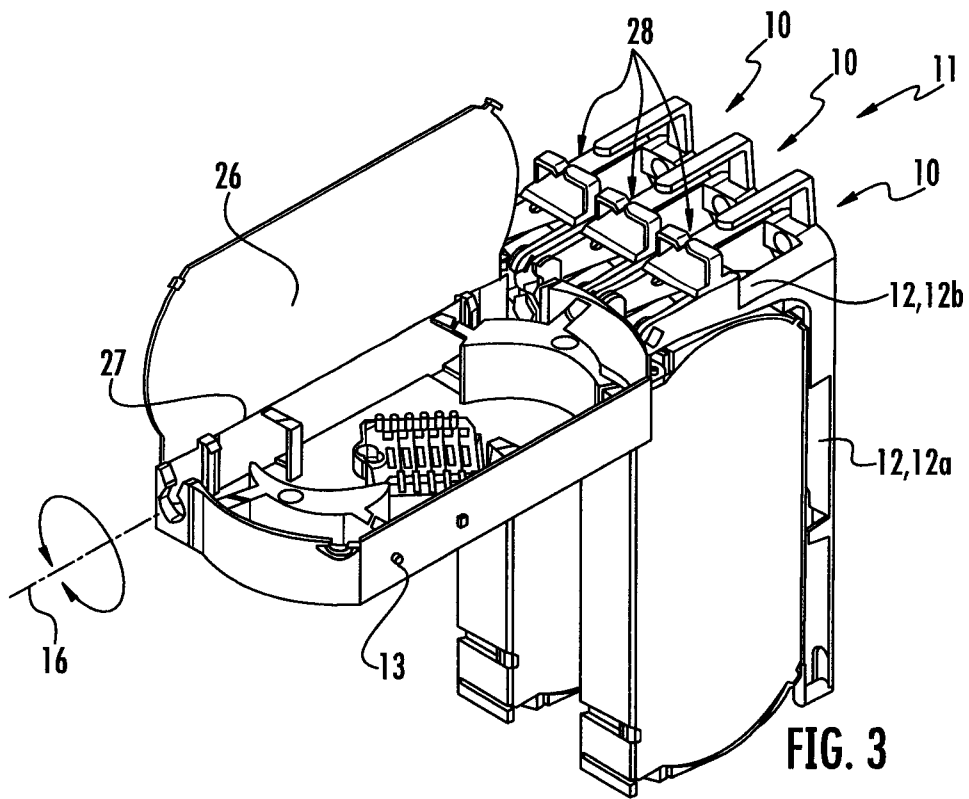


FIG. 3

3/4

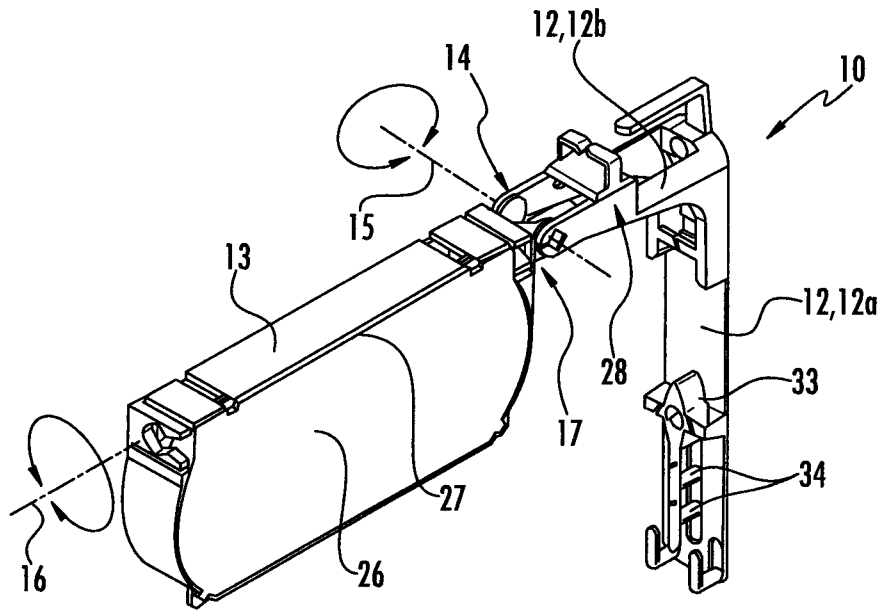


FIG. 4

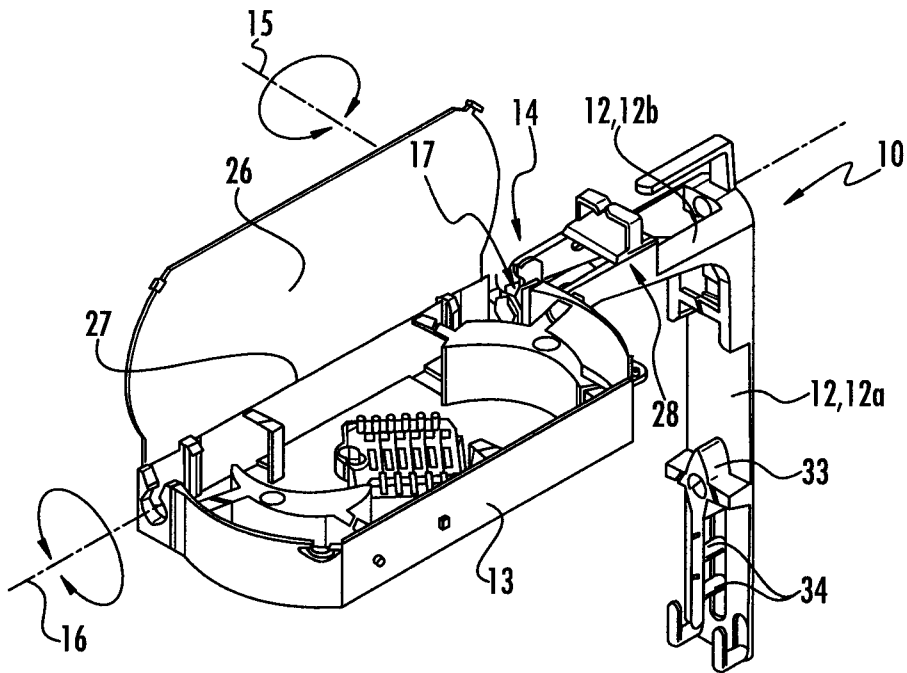


FIG. 5

4/4

