

(19)



(11) Publication number:

SG 182853 A1

(43) Publication date:

30.08.2012

(51) Int. Cl:

G03G 15/08;

(12)

## Patent Application

---

(21) Application number:	2010020816	(71) Applicant:	CANON KABUSHIKI KAISHA 3-30-2 SHIMOMARUKO, OHTA-KU, TOKYO, JP
(22) Date of filing:	19.02.2002	(72) Inventor:	YUSUKE YAMADA 6-13-5 KEYAKIDAI, MORIYAMACHI, KITASOHMA-GUN, IBARAKI-KEN, JAPAN JP
(30) Priority:	JP 042536/2001(PAT.) 19.02.2001		YUTAKA BAN 4-10-11-104 MINAMIMAGOME, OHTA-KU, TOKYO, JAPAN JP
	JP 197546/2001(PAT.) 28.06.2001		KATSUYA MURAKAMI 3-4-21-102 SHINMACHI, TORIDE-SHI, IBARAKI-KEN, JAPAN JP
			FUMIO TAZAWA 3-18-7-305 SHIBASAKIDAI, ABIKO-SHI, CHIBA-KEN, JAPAN JP
			HIRONORI MINAGAWA 7-16-1 MATSUGAOKA, MORIYAMACHI, KITASOHMA-GUN, IBARAKI-KEN, JAPAN JP

---

(54) **Title:**  
**SEALING MEMBER, TONER ACCOMMODATING CONTAINER AND IMAGE FORMING APPARATUS**

(57) **Abstract:**  
SEALING MEMBER, TONER ACCOMMODATING CONTAINER AND IMAGE FORMING APPARATUS Abstract  
A sealing member (2) for sealing a toner discharge opening of a toner accommodating container detachably mountable to an image forming apparatus, the sealing member includes a locking portion for being locked with a portion to be locked provided in the image forming apparatus, the locking portion being adapted to displace with a relative closing movement relative to the portion to be locked, wherein the toner discharging opening is brought into an open state from a closed state by relative to movement of the sealing member relative to the toner accommodating container with the locking portion being in engagement with the portion to be locked; and a releasing force receiving portion for receiving from the image forming apparatus a releasing force for releasing engagement between the locking portion and the portion to be locked by displacing the locking portion. Figure 7

**SEALING MEMBER, TONER ACCOMMODATING CONTAINER AND IMAGE  
FORMING APPARATUS**

Abstract

A sealing member (2) for sealing a toner discharge opening of a toner accommodating container detachably mountable to an image forming apparatus, the sealing member includes a locking portion for being locked with a portion to be locked provided in the image forming apparatus, the locking portion being adapted to displace with a relative closing movement relative to the portion to be locked, wherein the toner discharging opening is brought into an open state from a closed state by relative to movement of the sealing member relative to the toner accommodating container with the locking portion being in engagement with the portion to be locked; and a releasing force receiving portion for receiving from the image forming apparatus a releasing force for releasing engagement between the locking portion and the portion to be locked by displacing the locking portion.

**Figure 7**

SEALING MEMBER,  
TONER ACCOMMODATING CONTAINER AND  
IMAGE FORMING APPARATUS

5 FIELD OF THE INVENTION AND RELATED ART:

The present invention relates to a toner  
accommodating container, a sealing member therefor and  
an image forming apparatus, suitably usable with an  
image forming apparatus such as a copying machine, a  
10 printer, facsimile machine.

In a conventional electrophotographic image  
forming apparatus such as an electrophotographic  
copying machine or a printer, fine particles toner is  
used as a developer. When the toner in the main  
15 assembly of the electrophotographic image forming  
apparatus is used up, the toner is supplied into the  
main assembly of the image forming apparatus using a  
toner accommodating container (toner supply  
container).

20 Here, the electrophotographic image forming  
apparatus is an apparatus which forms images on a  
recording material through an electrophotographic  
image formation type process. The electrophotographic  
image forming apparatus includes a, an  
25 electrophotographic copying machine, an  
electrophotographic printer (laser beam printer, LED  
printer, for example), a facsimile machine, word

processor or the like.

Since the toner is very fine powder, it is known to place, upon toner supplying operation, a toner supply container inside the main assembly of the image forming apparatus and to gradually supply the  
5 toner through a small opening to avoid scattering of the toner.

Any one of the above-described toner supply containers receives a driving force from the main  
10 assembly of an image forming apparatus to drive the feeding member in the toner supply container or the main body itself to discharge the toner. As for such a drive transmitting means, there are some methods. For example, Japanese Laid-Open Utility Model  
15 Application Hei 05-75768 discloses that gear portion is provided on an outer surface of the toner bottle (toner supply container), and the gear is engaged with a driving gear, by which the toner bottle is rotated.

Japanese Laid-open Patent Application Hei 10-  
20 63084 discloses that end surface of the toner bottle is provided with a projection, which is engaged with a recesses formed in a driving portion of the main assembly of the image forming apparatus, thus transmitting the driving force.

25 Japanese Laid-open Patent Application Hei 10-63076 discloses another type. A rotating force transmitting portion of the main assembly of image

forming apparatus has an inner diameter which is provided with a plurality of engaging grooves, and the toner container is provided with projections engageable with the engaging grooves. The rotational driving force is transmitted through the engagement therebetween.

As described, various drive transmission methods are proposed for driving the toner supply container.

However, the conventional structures involve some problems.

In the case of Japanese Laid-Open Utility Model Application Hei 05-75768, when the toner bottle is inserted into the main assembly of the image forming apparatus, it is necessary to make the gear portion on the outer surface of the toner bottle properly engage with the driving gear portion in the main assembly of image forming apparatus. This requires the user to be careful for the proper engagement. In addition, since the toner bottle is rotated through the meshing engagement between gears, the toner bottle receives forces tending to deviate the bottle in a direction perpendicular to the axis. Therefore, there is a possibility that toner bottle is raised or is laterally deviated with a result of improper rotation. In order to avoid such a deviation, it is required that entire outer

circumference of the toner bottle is enclosed. This imposes difficulty in the toner bottle mounting and mounting operation. Additionally, the supplying system becomes complicated and inexpensive.

5           In the methods disclosed in Japanese Laid-open Patent Application Hei 10-63084 and Japanese Laid-open Patent Application Hei 10-68076, when the toner bottle is inserted such that projection (or recess) provided at the end surface of toner bottle is properly engaged with the basis (or projection) of the main assembly side driving portion (main assembly driving portion), an indexing operation in the rotational direction is required. This degrades the developer supplying operativity, and even a slight deviation may result in an inoperability.

10           In order to avoid such an improper engagement, it is required that toner bottle is provided on its outer surface with a guiding rib so as to determine the position of the toner bottle in the rotational direction upon the insertion thereof, or that rotating operation of the engaging recess of the main assembly driving portion is controlled to stop at a predetermined rotational position whenever it stops. This also result in complication and cost increase.

25           In most of the coupling drive transmission using projection/recess engagement, when the phase deviation occurs between the toner bottle and the main

assembly driving portion, it is required that main  
assembly driving portion is retracted against a spring  
force, and the engaging position is established when  
the phase becomes aligned. With such a structure,  
5 even if there is a phase difference when the toner  
bottle is inserted, the main assembly driving portion  
is retracted, and when the bottle is rotated with the  
state, the face differences is eliminated sooner or  
later, and therefore, the engagement is established.  
10 However, the structure of the main assembly driving  
portion is complicated. In addition, the main  
assembly driving portion has to be movable toward the  
rear side, which requires an additional space and  
therefore hinder downsizing of the main assembly of  
15 the apparatus.

In the conventional example, it is not  
disclosed as to how to disengage the projection from  
the recess. Assuming that operator forces to pull the  
toner supply container out, or the operator pushes the  
20 small projection by the finger, the usability is not  
good, or the driving portion of the image forming  
apparatus or the toner supply container may be  
damaged.

25 **SUMMARY OF THE INVENTION:**

Accordingly, it is a principal object of the  
present invention to provide a sealing member in which

a sealing member is locked with an image forming apparatus in order to open or unseal a toner discharge opening of a toner accommodating container, and yet the sealing member can be released from the image forming apparatus with a simple structure.

It is another object of the present invention to provide a toner accommodating container in which a locking portion of the toner accommodating container is locked with an image forming apparatus, and it the locking of the locking portion with the image forming apparatus can be released with a simple structure.

It is a further object of the present invention to provide a toner accommodating container in which a sealing member is locked with an image forming apparatus to open or unseal a toner discharge opening of the toner accommodating container, and yet the sealing member can be released from the image forming apparatus with a simple structure.

It is a further object of the present invention to provide an image forming apparatus in which a locking portion of a toner accommodating container is engaged with a portion to be locked of mounting means, and it the locking portion can be released from the portion to be locked with a simple structure.

It is a further object of the present invention to provide an image forming apparatus in

which a locking portion of a sealing member is engaged with a portion to be locked of the mounting means to open or unseal a toner discharge opening of a toner accommodating container, and yet the locking portion  
5 can be released from the portion to be locked with a simple structure.

These and other objects, features and advantages of the present invention will become more apparent upon a consideration of the following  
10 description of the preferred embodiments of the present invention taken in conjunction with the accompanying drawings.

**BRIEF DESCRIPTION OF THE DRAWINGS:**

15           Figure 1 is a sectional view of an image forming apparatus according to an embodiment of the present invention.

            Figure 2 is a perspective view of the image forming apparatus shown in Figure 1.

20           Figure 3 is a perspective view illustrating mounting of a toner supply container into an image forming apparatus.

            Figure 4 is a front view of an image forming apparatus of Figure 1.

25           Figure 5 is a side view of the image forming apparatus of Figure 1.

            Figure 6 is a top plan view of the image

forming apparatus in which a toner container exchange cover is shown as being in an open position.

Figure 7 is sectional views illustrating a toner supply container mounting operation, wherein (A) shows an initial stage of the mounting operation, (B) shows the state in the process of mounting operation, and (C) shows the state after the completion of the mounting operation.

Figure 8 is a partly broken perspective view of a toner supply container according to an embodiment of the present invention.

Figure 9 is a partly enlarged section of view of a drive transmitting portion according to an embodiment of the present invention in which a driving shaft is provided on the main body side of the toner supply container.

Figure 10 is a partly broken perspective view of a toner supply container according to another embodiment of the present invention.

Figure 11 is a partly enlarged section of view of a drive transmitting portion according to another embodiment of the present invention in which a driving shaft is provided on a sealing member side.

Figure 12 is a side view of a sealing member according to an embodiment of the present invention, wherein (A) is a front view, (B) is a side view as seen in the direction X of (A), and (C) is a side view

as seen in the direction Y of (A).

Figure 13 is a sectional view of a sealing member taken along a line X-X of (B) of Figure 12.

Figure 14 is a perspective view of a driving force transmitting portion and a driving force receiving portion according to an embodiment of the present invention.

Figure 15 is a partially sectional view illustrating engaging action of a drive transmitting portion of a toner bottle, in which (A) shows a state before insertion of toner bottle, (B) shows a state in the process of insertion, (C) shows a state after the completion of inserting operation.

Figure 16 is a perspective view of a driving force receiving portion according to another embodiment of the present invention.

Figure 17 is a sectional view of the sealing member of Figure 16.

Figure 18 is an illustration of phase alignment when the toner bottle is inserted into the main assembly of apparatus wherein (A) shows a state in which an engaging rib and an engaging projection are aligned with each other, (B) shows a state in which they are not aligned after rotation to a certain extent, and (C) shows a state in which the engaging rib is abutted to the engaging projection to enable drive transmission.

Figure 19 shows a sealing member according to an embodiment of the present invention, wherein (A) is a left side view, (B) is a front view, and (C) is a right-hand side view.

5           Figure 20 is a perspective view of a driving force transmitting portion and a driving force receiving portion according to a further embodiment of the present invention, in which phase control operation is not necessary.

10           Figure 21 illustrates the drive transmitting portion of Figure 20 during a toner bottle inserting operation, wherein (A) shows a state before insertion of the toner bottle, (B) shows a state in the process of the inserting operation, and (C) shows a state  
15 after completion of the inserting operation.

          Figure 22 illustrates disengagement action at the drive transmitting portion of the toner bottle, wherein (A) is before disengagement, (B) is in the process of disengagement, (C) is after completion of  
20 the disengagement action.

          Figure 23 is a sectional view of a sealing member according to a further embodiment of the present convention, wherein (A) is a side view, (B) is a front view, and (C) is a sectional view.

25           Figure 24 is a sectional view illustrating engagement of the sealing member of Figure 23 with a driving portion.

Figure 25 is an illustration of disengagement action at the drive transmitting portion of the toner bottle, wherein (A) is before disengagement, (B) is in the process of disengagement, and (C) is after the completion of the disengagement action.

Figure 26 illustrates a sealing member according to a further embodiment of the present invention, wherein (A) is a side view, and (B) is a sectional view taken along a line X-X.

Figure 27 shows a driving portion engageable with the sealing member of Figure 26 according to a further embodiment of the present invention, wherein (A) is a front view, (B) is a side view, (C) is a sectional view taken along a line C-C of (B), (C) is a sectional view taken along a line D-D of (A).

Figure 28 illustrates engaging action between the sealing member of Figure 26 and the driving portion of Figure 27, wherein (A) shows a state in which the toner bottle is being inserted, (B) shows a state in the process of insertion, and (C) shows a state after the completion of insertion.

Figure 29 illustrates disengagement action after the engagement shown in Figure 28, wherein (A) is before the disengagement, (B) is in the process of the disengagement, and (C) is after completion of the disengagement action.

Figure 30 is a sectional view of a sealing

member according to a further embodiment of the present invention, wherein (A) is before disengagement, and (B) is in the process of disengagement.

5           Figure 31 is a perspective view of a toner supply container according to a further embodiment of the present invention.

          Figure 32 shows a sealing member according to a modified embodiment of Embodiment 2.

10           Figure 33 is a perspective view illustrating a drive transmission for a photosensitive drum according to a further embodiment of the present invention.

15   DESCRIPTION OF THE PREFERRED EMBODIMENTS:

          A sealing member, a toner accommodating container and an image forming apparatus according to the preferred embodiments of the present invention will be described in conjunction with the accompanying  
20   drawings.

(Embodiment 1)

          Referring to Figure 1, the description will first be made as to an electrophotographic image forming apparatus which is an exemplary image forming  
25   apparatus to which a toner supply container (toner accommodating container) according to an embodiment of the present invention.

(Electrophotographic image forming apparatus)

Figure 1 shows an electrophotographic copying machine. An original 101 in a main assembly (main assembly of apparatus) 100 is placed on an original supporting platen glass 102. A light image corresponding to the image information of the original 101 is image on an electrophotographic photosensitive drum (image bearing member) 104 through a plurality of mirrors M and a lens Ln of an optical portion 103. On the basis of selection by the user on an operating portion 100a shown in Figure 2 or on the basis of automatic selection in accordance with the paper size of the original 101, an optimum sheet P is selected from the cassettes 105, 106, 107, 108. The recording material is not limited to the sheet of paper, but may be an OHP sheet, for example.

A single sheet P supplied from one of separating devices 105A, 106A, 107A, 108A, is fed to registration rollers 110 by way of a feeding portion 109, and the sheet P is fed to the transfer portion by the registration rollers 110 in synchronism with the rotation of the photosensitive drum 104 and the scanning timing of the optical portion 103. In the transfer portion, a toner image formed on the photosensitive drum 104 is transferred onto the sheet P by the transfer discharger 111. The sheet P now having the transferred toner image is separated from

the photosensitive drum 104 by a separation discharger 112.

The sheet P is fed into a fixing portion 114 by a feeding portion 113. In the fixing portion 114, 5 the toner image is fixed on the sheet P by heat and pressure. Thereafter, the sheet P is passed through a discharged sheet reversing portion 115 and discharged to a sheet discharge tray 117 by sheet discharging rollers 116 in the case of a one sided copy mode. In 10 the case of a duplex copy mode, the sheet P is refeed to the registration rollers 110 through sheet refeeding paths 119, 120, under the control of a flapper 118 provided in the discharged sheet reversing portion 115. Then, the sheet is fed similarly to the 15 case of the one-sided copy mode, and is finally discharged to the sheet discharge tray 117.

In the case of a superimposed copy mode, the sheet P is temporarily and partly discharged by the sheet discharging rollers 116 through the discharged 20 sheet reversing portion 115. Thereafter, at the timing when the trailing edge of the sheet passes by the flapper 118 while it is still nipped by the sheet discharging rollers 116, the flapper 118 is controlled, and the sheet discharging roller 116 is 25 rotated in the reverse direction, so that it is refeed into the main assembly 100. Thereafter, the sheet is fed to the registration rollers 110 through the sheet

refeeding portions 119, 120, and then the sheet is processed similarly to the case of the one-sided copy mode. It is finally discharged to the sheet discharge tray 117.

5           In the main assembly 100 of apparatus, there are provided a developing device 201 (developing means), a cleaning device 202, the primary charger 203 and so on, around the photosensitive drum 104.

10           An electrostatic latent image is formed by exposing the photosensitive drum 104 uniformly to double to the image light corresponding to the image information of the original 101. The electrostatic latent image is developed with toner by a developing device 201. In order to supply the toner (developer) into the developing device 201, a toner supply  
15           container 1 is detachably mountable by the user into the main assembly 100 of apparatus. The present invention needs applicable to the case in which only the toner is supplied into the image forming apparatus  
20           from the toner supply container and to the case in which the toner and carrier are supplied therefrom. In this embodiment, the former is the case.

          The developing device 201 comprises a toner hopper 201a (accommodating means) and a developing  
25           device 201b. The toner hopper 201a is provided with a stirring member 201c for stirring the toner supply designated from the toner supply container 1. The

toner stirred by the stirring member 201c is supplied into the developing device 201b by a magnet roller 201d. The developing device 201b comprises a developing roller 201f and a feeding member 201e. The  
5 toner fed from the toner hopper 201a by the magnet roller 201d is fed to the developing roller 201f by the feeding member 201e, and it supplied to the photosensitive drum 104 by the developing roller 201f.

The cleaning device 202 functions to remove  
10 the toner remaining on the photosensitive drum 104. The primary charger 203 functions to electrically charge the photosensitive drum 104.

When the user opens a front cover 15 for exchange of the toner supply container (front cover)  
15 which is a part of an outer casing shown in Figure 2, a container receiving tray 50 which is a part of mounting means is drawn out to a predetermined position by an unshown driving system. The user places the toner supply container 1 on the container  
20 receiving tray 50. When the user takes the toner supply container 1 out of the main assembly 100 of the apparatus, the container receiving tray 15 is drawn out, and the toner supply container 1 is taken out of the tray 50.

25 The front cover 15 is provided exclusively for mounting and demounting (exchange) of the toner supply container 1, and therefore, it is opened and

closed only for the purpose. When the maintenance operation for the main assembly 100 of the apparatus is to be carried out, the front cover 100c is opened.

The toner supply container 1 may be directly  
5 mounted to the main assembly 100 of the apparatus, and may be taken out.

(Toner supply operation)

Referring to Figure 7, (A), Figure 7, (C), the toner supply operation from the toner supply  
10 container (toner bottle) in this embodiment, will be described. Figure 7, (A) - (C) illustrates the process of toner supply in which the toner bottle 1 of this embodiment is inserted into the main assembly 100 of the apparatus.

15 As shown in the Figure, the main assembly 100 of the its apparatus is provided with a toner supply device 400, and the toner supply device 400 is provided with a driving portion (driving force transmitting portion) 20 for collecting with and  
20 rotating the toner bottle 1. The driving portion 20 is rotatably supported by bearings 23, and is rotated by an unshown driving motor provided in the main assembly 100 of the apparatus.

The main assembly 100 of apparatus is further  
25 provided with a partition 25 constituting a toner supply path 24 connecting with a hopper 201a, and to the partition 25, inner and outer bearing 26a, 26b as

for rotatably bearing a part of the toner bottle 1 and for sealing the toner supply path 24, are fixed.

Furthermore, a screw member 27 is disposed in the toner supply path 24 to feed the toner to the hopper  
5 201a.

Figure 7, (A) illustrates insertion of the toner bottle 1 into the main assembly 100 of the apparatus. One end of the toner bottle 1 is provided with a toner supply opening 1a, which will be called  
10 simply "opening", formed by a cylindrical member in this embodiment, the opening 1a sealed by a sealing member 2 at the free end of the cylinder.

Figure 7, (B) shows a state in which the toner bottle 1 has been further inserted, and an  
15 engaging projection 3 (locking projection) provided at a free end portion of the sealing member 2 is engaged with a locking hole (retaining) with the driving portion 20 provided in the main assembly. The engagement between the driving portion 20 and the  
20 sealing member 2 is accomplished in the following manner. The user inserts the toner bottle 1 into the main assembly, and by this, the driving portion 20 is brought into contact with an upper surface (locking force receiving portion) of the engaging projection.  
25 By further inserting the toner bottle 1, the driving portion 20 presses down the engaging projection to displace it. Thereafter, when the pressing action by

the driving portion 20 is released, the portion supporting the locking projection restores by its own elastic force, so that engagement is accomplished.

Thus, in this embodiment, the engagement is a  
5 soul-called "snap fit" type.

Since the locking surface 3b (locking portion) provided in the engaging projection 3 is locked with a locking hole (portion to be locked) against a thrust direction (axial direction) motion,  
10 and therefore, as long as the locking is maintained, the sealing member 2 is retained at the fixed position by the driving portion 20, although small play is permissible.

As will be understood from Figure 7, (C),  
15 after the sealing member 2 and the driving portion 20 are engaged, a slidable member 300 is retracted in a direction indicated by an arrow b in interrelation with a closing operation of the front cover 15 for exchange of the bottle. By this, the toner bottle 1  
20 is retracted, too, but the sealing member is locked with the main assembly side of the image forming apparatus, and therefore, the sealing member 2 is away from the toner bottle 1, thus opening the opening 1a to enable toner supply.

25 At the time, the driving shaft 1b fixed to the main body 1A of the toner bottle 1, is not completely disengaged from the sealing member 2 even

in the state of the opening 1a being sealed by the sealing member and evening the state of the opening being opened, and the engaging portion (hole portion) of the sealing member is kept engaged with the driving shaft 1b (portion to be engaged). The driving shaft 1b has a non-circular cross-sectional configuration, such as rectangular or triangular shape shape to permit driving force transmission. Correspondingly, the hole (engaging portion) has a complementary configuration for slidable fitting.

When an unshown motor is driven in this state, the rotational driving force is transmitted to a driving force receiving surface (driving force receiving portion) of the engaging projection of the sealing member 2 from the main assembly driving portion 20 (the driving portion provided in the main assembly), and the driving force is transmitted from the sealing member 2 to the driving shaft 1b, which rotates the toner bottle 1 to feed and discharge the toner.

Thus, the sealing member 2 has a function of sealing the opening 1a, a function of receiving the rotational driving force from the main assembly side of image forming apparatus, as a function of transmitting the rotational driving force to the toner bottle 1 side.

The toner bottle 1 is rotatably supported by

bottle receiving roller 23 provided on a container receiving Table 50, and therefore, can be smoothly rotated by a small driving torque. The bottle receiving roller 23 is disposed at each of four  
5 positions forming a saddle with respect to the main body 1A of the bottom. The bottle receiving rollers 23 are rotatably supported on the toner supply device 400 of the main assembly 100 of the apparatus. By the rotation of the toner bottle 1, the toner accommodated  
10 in the toner bottle 1 is discharged through the opening 1a gradually, and the screw member 27 provided in the toner supply path 24 feeds the toner into the hopper 201a provided in the main assembly 100 of apparatus, thus accomplishing the toner supply.

15 (Exchanging method for toner supply container)

The description will be made as to an exchanging method of the toner bottle.

With the image forming operation, the toner in the toner bottle 1 is consumed. When substantially  
20 all the toner therein is used up, the "no toner" is detected by a detecting means (unshown) provided in the main assembly 100 of the apparatus, and the event is notified to the user by displaying means 100b (Figure 2) such as liquid crystal display.

25 In this embodiment, the toner bottle 1 easy exchange by the user, through the following steps.

First, the front cover 15 which is in the

close state is rotated about a hinge 18 to an open position indicated by broken lines in Figure 6. In interrelation with the action of opening the front cover 15, the main body 1A of the bottle which takes  
5 the position indicated in (C) of Figure 7 is moved in a direction indicated by an arrow an in (A) of Figure 7 which is opposite from the direction of arrow b, by opening and closing means for the toner supplying portion which will be described hereinafter. By this,  
10 the sealing member 2 which is at an open position (away from the main body 1A of the bottle to open the toner supply opening 1a) is press-fitted into the toner supply opening 1a, so that toner supply opening 1a is plugged (Figure 7, (B)). At this time, the  
15 sealing member still maintains engagement with the main assembly of the image forming apparatus. Thereafter, a releasing ring applies a releasing force to a releasing projection, by which the releasing projection is depressed together with the engaging  
20 projection, so that engagement is released. By retracting the main body 1A of the bottle in a longitudinal direction of the bottle, the releasing operation between the sealing member and the main assembly of the image forming apparatus is completed.

25           Then, the user draws the vacant toner bottle 1 which has been released from the main assembly 100 of the apparatus out of the main assembly 100 of the

apparatus in the direction of arrow b (Figure 7 (C) )  
which is opposite from the direction of arrow a  
(Figure 7 (A) arrow a).

The user then inserts a new toner bottle 1  
5 into the main assembly 100 of the apparatus in the  
direction of arrow a, and then close the front cover  
15. In interrelation with the front cover 15 closing  
action, the sealing member 2 locked with the main  
assembly of the image forming apparatus is moved away  
10 from the main body of the container by the toner  
supplying portion opening and closing means, so that  
toner supply opening 1a is unsealed (Figure 7, (C) ).  
The foregoing is the exchanging process of the toner  
supply container.

15 (Toner bottle)

Referring to Figure 8 and Figure 9, the toner  
bottle will be described.

The toner bottle 1 is generally cylindrical,  
and one end thereof is provided substantially at a  
20 center with an opening 1a by a projected portion. The  
diameter of the opening 1a is smaller than the  
diameter of the cylindrical portion 1A which is the  
main body of the bottle. The opening 1a is plugged  
with a sealing member 2 for sealing the opening 1a,  
25 and as will be understood from the description in  
conjunction with Figure 7, (A) - (C), the opening 1a  
is unsealed and resealed automatically by the sliding

motion of the sealing member 2 relative to the toner bottle 1 in the longitudinal direction (arrow b) of the toner bottle 1.

At the free end portion of the sealing member 2, there is formed a cylindrical portion having an engaging projection 3 and a releasing force receiving portion 4 for disengaging from the driving portion 20 provided in the main assembly of apparatus, and such a portion of the cylindrical portion as supports the engaging projection and the releasing projection is elastically deformable (in order to enhance or assist the elastic information, slits are formed at lateral sides of the region so as to extend to the free end of the cylindrical portion, as will be described hereinafter).

The engaging projection 3 is engaged with the driving portion 20 and functions to transmit the rotation to the toner bottle 1. The structures of the engaging projection 3 and the releasing force will be described in detail hereinafter.

The internal structure of the toner bottle 1 will be described.

As described in the foregoing, the toner bottle 1 is generally cylindrical in shape and is disposed generally horizontally in the main assembly of apparatus. It is rotated by the main assembly of apparatus. An inside of the toner bottle 1 has

a projection 1c in the form of a rib which extends helically. When the toner bottle 1 rotates, the toner is fed in the axial direction along the helical projection 1c, and the toner is discharged through the opening 1a formed at an end of the toner bottle 1.

The internal structure of the toner bottle 1 according to the present invention is not limiting, and the configuration or the structure may be any as long as the toner can be discharged by rotation of the toner bottle 1. The main body of the toner bottle is not limited to that described in the foregoing. For example, it may have a rotation screw or the like for feeding the toner, and the rotation screw is driven by a rotational driving force received by the sealing member from the image forming apparatus, while the main body is fixed (not rotatable) on the main assembly of the image forming apparatus.

The feature this embodiment is in the structure of the drive transmitting portion for connection with the main assembly 100 of the apparatus, and therefore, the internal structure of the toner bottle 1 may be any, and the bottle may have a helical projection 1c on the inner surface of the bottle.

For example, the internal structure of the bottle may be modified as shown in Figure 10. In this modified example, there is provided in the main body

of the bottle is baffle member 40 generally in the form of a plate. The surface of the baffle member 40 has, on a surface, a plurality of inclined projections 40a which are inclined with respect to the direction of the axis of the toner bottle 1. One end of one of the inclined projection 40a extends to a neighborhood of the opening 1a. The toner is finally discharged from the inclined projection 40a through the opening 1a. By the rotation of the toner bottle 1, the toner is scooped by the baffle member 40 and then falls sliding on the surface of the baffle member 40. Because of the inclination of the inclined projection 40a, the toner is advanced toward the front side of the toner bottle 1. By repeating this operation, the toner in the toner bottle is gradually fed to the opening 1a while being stirred, and is discharged therethrough.

The driving type of this invention is not limited to the rotational driving type such as the type of this embodiment or modification. The toner bottle may be vibrated, swung or may be moved in another fashion to supply the toner. In other words, the driving may be rotation, swing, vibration or another as long as the toner is discharged from the bottle by the toner bottle is moved by the main assembly 100 of apparatus.

In the above-described modified example, the

buffle member 40 in the form of the plate is a separate member from the toner bottle 1, and the rotational driving force is transmitted to the buffle member 40 through the sealing member 2 to indirectly rotate the toner bottle 1.

In the manner, the present invention is applicable when the toner bottle 1 is directly or indirectly driven through a sealing member 2.

In Figures 8 and 9, the main body 1A of the bottle is provided with the opening 1a at the one longitudinal end surface thereof, and a driving shaft 1b (portion to be engaged) is projected out of the opening 1a, the driving shaft 1b being integral with the main body 1A of the bottle and being provided in the opening 1a. The driving shaft 1b is disposed substantially coaxially with the opening 1a, and is slidably engaged with an engaging hole 2a (engaging portion) formed in the sealing member 2. The engaging hole, as shown in Figure 9, is closed at an end remote from the driving shaft, so that toner leakage through the engaging hole is prevented.

The driving shaft 1b functions to transmit the rotational driving force from the main assembly 100 of the apparatus to the main body 1A of the bottle through the sealing member 2, the cross-sectional configuration of the driving shaft 1b is non-circular, for example, rectangular configuration, H shape, D

shape or the like to transmit the rotational driving force. The driving shaft 1b is fixed on the main body 1A of the bottle by proper means.

The driving shaft 1b may not be fixed on the main body 1A of the bottle but is integral with the sealing member 2 as shown in Figure 11. In this case, the engaging hole 2a for transmitting the driving force from the driving shaft 1b is provided in the toner bottle 1 side, and that opening is formed so that they are its maintained engaged with each other after the toner bottle is unsealed. In the modified example, the member defining the engaging hole 2a its supported by a member 1c provided inside the opening 1a, but the discharge of the toner is permitted.

In this embodiment, the driving shaft 1b is fixed on the main body 1A of the bottle.

(Sealing member)

Referring to Figures 12 and 13, the description will be made as to the sealing member 2 (drive receiving member).

In Figures 12 and 13, the sealing member 2 comprises a sealing portion 2b for unsealably sealing the opening 1a of the toner bottle 1, and a coupling engagement portion 2c (cylindrical portion) in the form of a cylinder engageable with the driving portion 20 of the main assembly of apparatus. An outer diameter of a large diameter portion of the sealing

portion 2b is larger than the inner diameter of the opening 1a by a proper degree. The sealing portion 2b is press-fitted into the opening 1a, by which the opening 1a (toner supply opening) is sealed by the sealing member 2.

As described in the foregoing, the sealing member 2 has an engaging hole 2a for transmitting the driving force received from the main assembly 100 of the apparatus to the driving shaft 1b by engagement with the driving shaft 1b. The engaging hole 2a extended continuously in the sealing portion 2b and the engaging portion 2c. The engaging hole 2a has a cross-sectional configuration which is complementary with the driving shaft 1b and which is slightly larger than the cross-section of the driving shaft 1b. Because of this, the driving shaft 1b is loosely fitted in the engaging hole 2a. The engaging hole 2a and the driving shaft 1b have complementary polygonal configurations. In this embodiment, it is square.

Because of the loose fitting of the driving shaft 1b in the engaging hole 2a having such cross-sections, the main body 1A of the bottle and the sealing member 2 are slidable relative to each other in the axial direction while being prevented from relative rotational motion therebetween. With this structure, when the toner bottle 1 is mounted (locked) on the toner supply device 400, the sealing member 2

is movable relative to the main body 1A of the bottle, that is, the unsealing of the opening 1a (toner supply opening) is enabled.

5 The engagement length between the engaging hole 2a and the driving shaft 1b is determined such that they are not this engaged from each other upon the relative movement between the sealing member 2 and the main body 1A of the bottle for the unsealing. By doing so, the driving shaft 1b can receive the driving  
10 force through the sealing member 2 even if the sealing member 2 is moved away relatively from the main body 1.

The description will be made as to the engaging projection 3 (locking projection) which is  
15 one of the features of the present invention.

The coupling engagement portion 2c of the sealing member 2 has an engaging projection 3 for receiving the driving force from the main assembly 100  
of apparatus. The engaging projection 3 is projected  
20 radially outwardly from the peripheral surface of the cylindrical portion of the coupling engagement portion 2c. The engaging projection comprises a drive receiving surface 3a (driving force receiving portion) for receiving the rotational driving force from the  
25 main assembly of the apparatus; and a locking surface 3b (locking portion) for snap fit type locking of the sealing member 2 into a locking hole (portion to be

locked) provided in the main assembly of apparatus when the sealing member 2 and the toner bottle 1 are moved away from each other (from the closed state to the open state). Thus, by the drive receiving surface 3a, the engaging hole 2a and the locking surface 3b, the engaging projection 3 performs three different functions, namely, a coupling function for receiving the rotational driving force from the main assembly of apparatus, a transmitting function of transmitting the rotation to the toner bottle 1, and a locking function (retention function) for permitting relative sliding motion between the sealing member 2 and the main body of the toner bottle 1 so as to automatically open and close the opening.

When the driving force is transmitted with the locking surface 3b locked with the main assembly driving portion 20, the surface 3b is effective to maintain a constant distances between the sealing member 2 and the toner bottle 1. This assures the formation of the path of the toner between the toner bottle 1 and the sealing member 2, so that toner discharging amount is maintained constant. Thus, a toner bottle having an excellent constant amount discharging property can be accomplished. In addition, the sealing member 2 is assuredly locked with the main assembly driving portion 20 of the apparatus, and therefore, the sealing member 2 is not

likely to disengage from the driving shaft during the toner discharging operation, thus further assuring the toner discharging.

5 According to such a structure, the automatic opening and closing operation of the sealing member 2 and the driving force transmitting operation can be accomplished by a single sealing member, so that inexpensive and compact toner supply container can be provided.

10 The engaging projection 3 is preferably in general with the sealing member 2 from this standpoint of reduction of the number of constituent parts, but a separate member for the engaging projection 3 may be mounted to the sealing member 2. Such an example will  
15 be described in conjunction with a fourth embodiment.

The engaging projection 3 has a driving force receiving function as well as the locking function, and therefore, it has a certain degree of rigidity. In view of this, slits 2e or the like are formed at  
20 lateral ends of the engaging projection 3, so that only the part of the coupling engagement portion 2c where the engaging projection 3 is provided, can relatively freely deformable elastically toward the inside. This is because the engaging projection 3 is  
25 displaced by the main assembly 100 of apparatus to effect the engagement and disengagement relative to the main assembly of apparatus, as will be described

hereinafter.

In this embodiment, the engaging projection 3 is integral with the sealing member 2 in this embodiment.

5           The free end portion of the engaging projection 3 is provided with a taper (locking force receiving portion) so as to permit smooth insertion when the sealing member 2 is inserted into the driving portion 20 of the main assembly 100 of apparatus. The tapered surface 3c receives a locking force from an inner surface of the driving portion 20 so that engaging projection 3 (locking portion) is displaced inwardly to lock into the locking hole when the tapered surface 3c approaches relatively to the locking hole 20h of the driving portion 20. When the locking surface further approaches to the locking hole to such an extent that contact of the tapered portion 3c to the inner surface of the driving portion 20, that is, the locking force is released, the portion supporting the engaging projection (locking portion) restores from the displaced position, thus completing the locking between the sealing member (locking portion) and the main assembly (portion to be locked) of the image forming apparatus.

25           After the completion of the locking action, the relative motion between the sealing member and the main body of the bottle is automatically imparted in

the direction away from each other, by which the opening is unsealed to enable the toner discharge. In this embodiment, the sealing member is engaged with the main assembly of apparatus such that movement in  
5 the sliding direction is prevented, and in this state, the main body of the bottle is retracted or advanced to automatically open or close the opening.

Referring to Figures 12 and 13, the description will be made as to the structure of a  
10 releasing force receiving portion which is another one of the features of the present invention.

The engaging projection 3 described above is provided at each of two positions which are diametrically opposed to each other, and the two  
15 engaging projections 3 are connected by a connecting portion which functions as a releasing force receiving portion 4. When the releasing force receiving portion (releasing portion) 4 receives a force from the main assembly old apparatus in the direction indicated by  
20 an arrow b, the engaging projections 3 are elastically deformed as indicated by chain lines in Figure 13. If the force application is stopped, the original position is restored. The releasing portion 4 has a relatively small thickness to permit the elastic  
25 deformation, and the material is selected in consideration of such an elastic deformation.

It is preferable that sealing member 2 is

manufactured through an injection molding from a plastic resin material or the like, but another material, or another manufacturing method is usable. They may be provided by connecting separate members.

5 The sealing member 2 desirably has a proper elasticity since it is press-fitted into the opening 1a to seal it. The best material is low density polyethylene material, and preferable materials are polypropylene, normal chain polyamide, Nylon (tradename), high  
10 density polyethylene, polyester, ABS, HIPS (shock-resistant polystyrene) or the like.

By employing an elastically deformable elastic member for the parts supporting the engaging projection 3 and for the releasing portion 4, the  
15 locking and releasing between the driving portion 20 and the engaging projection 3 can be accomplished with a simple structure, utilizing the elastic deformation and restoration. The above-described materials have proper elasticities, and therefore, the engagement and  
20 disengagement of the driving portion 20 and the engaging projection 3 are easily effected with sufficient durability.

The releasing portion 4 is in the form of a bridge connecting the engaging projections 3, so that  
25 such a plurality of engaging projections 3 can be uniformly displaced by pushing one releasing portion.

It is not inevitable to integrally connect

the engaging projections, but releasing portions may be provided for the respective engaging projections, as shown in Figures 16 and 17.

(Driving force receiving portion)

5 Referring to Figure 14, the description will be made as to the structure of the coupling engagement portion 2c provided in the sealing member 2, which is another one of the features of the present invention.

10 In this embodiment, the sealing member 2 is provided with the coupling engagement portion 2c in the form of a cylinder. As described in the foregoing, it also functions as a drive receiving member to receive the driving force from the driving force transmitting portion 20 provided in the toner  
15 supply device 400.

In the cylindrical coupling engagement portion 2c of the sealing member 2, the two parts provided with the respective engaging projections 3 are elastically deformable, such that parts are easily  
20 and elastically deformed by the tapered portion 3c of the engaging projection 3 being pressed by the driving portion 20. The releasing portion 4 is provided so as to connect the engaging projections 3, and the engaging projection 3 and the releasing portion 4 are  
25 integral with each other.

On the other hand, the locking hole 20h of the driving portion 20 provided in the main assembly

100 side of the apparatus is constructed so as to be  
locked with the engaging projection 3 (locking  
surface) of the sealing member 2. When the sealing  
member 2 is inserted into the driving portion 20, the  
5 smooth insertion is accomplished by providing the  
driving portion 20 with a tapered surface 20b defining  
gradually decreasing inner diameter at the free end of  
the driving portion 20. The sealing member 2 is  
smoothly inserted into the driving portion 20 because  
10 of the provision of the tapered surface 20b.

The driving portion 20 is provided with an  
engaging rib 20a for rotating the toner bottle 1, and  
the engaging rib 20a abuts the drive receiving surface  
3a to transmit the rotational driving force to the  
15 sealing member after the engaging projection is  
engaged with the locking hole 20h.

Referring to Figure 15, the engagement  
between the driving portion 20 and the sealing member  
2 in this embodiment will be described.

20 In Figure 15, (A) shows a state when the user  
is setting a new toner bottle 1 in the direction  
indicated by an arrow an in order to install it into  
the main assembly 100 of the apparatus, in which the  
toner bottle 1 is not yet been engaged with the  
25 driving portion 20 in the main assembly of apparatus.

When the toner bottle 1 is further inserted,  
the tapered portion 3c of the engaging projection 3 of

the sealing member 2 is brought into contact with the tapered surface 20b of the driving portion 20, as shown in (B) in Figure 15, and the engaging projection 3 is being guided by the tapered surface 20b while  
5 being elastically deformed toward inside.

With the further insertion of the toner bottle 1, the engaging projection 3 passes by the straight portion 20g containing from the tapered surface 20b, the engaging projection 3 restores  
10 because of the provision of the space portion 20h (locking hole) not having the engaging rib 20a, by which the engaging projection 3 is locked with the driving portion 20, as shown in (C) in Figure 15. In the state, the engaging projection 3 is firmly locked  
15 relative to the driving portion 20, and the position of the sealing member 2 in the thrust direction (axial direction) is substantially fixed relative to the main assembly of apparatus.

Therefore, even if the toner bottle 1 is  
20 retracted in the direction indicated by an arrow arrow b, as shown in (C) in Figure 7, the sealing member 2 does not move in the same direction, but is firmly fixed to the driving portion 20. On the other hand, since the toner bottle 1 is instructed, the sealing  
25 member 2 is separated away from the toner bottle 1 with certainty, so that opening 1a is unsealed or opened. The sliding retracting operation of the toner

bottle 1 may be interrelated with the opening and closing operation of the front cover 15 provided in the main assembly 100 of the apparatus.

As for the sliding operation, the toner  
5 bottle 1 may be slid with the sealing member 2 fixed, or the sealing member 2 may be slid with the toner bottle 1 fixed, or both of them may be slid away from each other.

When the toner is used up from the toner  
10 bottle, the empty toner bottle is taken out to exchange it with a new toner bottle. The dismounting operation is carried out by the above-described steps in a reverse order.

In detail, when the operator opens the front  
15 cover, the following occurs. First, the main body of the toner bottle advances toward the sealing member while the sealing member is locked in the main assembly of the apparatus, by which the sealing member of the opening is automatically sealed. By a pushing  
20 member 21 which will be described hereinafter, a releasing projection is actuated to release the engaging projection from the locking hole. Then, the main body of the toner bottle is retracted together with the sealing member re-press-fitted into the  
25 opening, so that sealing member is disengaged from the main assembly of the apparatus. By this, the toner bottle is prepared for being removed from the main

assembly of the apparatus.

(Structure eliminating necessity of phase alignment)

The description will be made as to the structure eliminating the necessity of phase alignment when the toner bottle 1 is brought into engagement with the main assembly driving portion 20.

In a conventional drive transmitting means using a combination of projection and recesses type coupling drive, it is necessary to engage a recess and a projection with phase alignment. This is not necessary according to this embodiment. Referring to Figure 18, this will be described.

Figure 18 shows a positional relation in the rotational direction between the engaging projection 3 and the engaging rib 20a when the sealing member 2 is inserted into the driving portion 20. The engaging rib 20a is provided at one position, and the engaging projection 3 is provided at two positions (3A, 3B).

Assuming that engaging rib 20a and the engaging projection 3 are not aligned with each other when the user inserts the toner bottle 1, when the toner bottle 1 is inserted into the predetermined position, the sealing member 2 is locked with the driving portion 20, and when the toner bottle 1 is retracted, the sealing member 2 is away from the toner bottle 1 to establish the toner dischargeable state.

However, depending on the position in the

rotational direction of the toner bottle 1 upon the insertion of the toner bottle, the engaging projection 3A is aligned with the engaging rib 20a as shown in (A) of Figure 18. In this case, even if the toner bottle 1 is inserted into the predetermined position, the engaging projection 3A interfere with the engaging rib 20a so that it is not released outwardly. Then, the locking is incomplete. If the toner bottle 1 is retracted with the state, the toner bottle 1 is retracted together with the sealing member 2 since the locking with the main assembly driving portion 20 is incomplete. The opening 1a cannot be unsealed or opened.

In order to avoid this, the number of engaging projections 3 is larger than that of the engaging ribs 20a by at least one, by which not all of the engaging rib (s) and engaging projection (s) are aligned.

In the case of (A) of Figure 18, one of the engaging projections 3A interferes with the engaging rib 20a, and therefore, is not locked with the main assembly driving portion 20. However, the other one of the engaging projections 3B does not interfere with the engaging rib 20a, and therefore, it is correctly locked with the driving portion 20. Thus, even if one of the engaging projections 3A is not locked correctly, the other engaging projection 3B is

correctly locked, and therefore, the toner bottle 1 is separated away from the sealing member 2 without problem, so that opening 1a is unsealed. After the opening 1a is unsealed, the incompletely engaged  
5 engaging rib 20a is brought out of the interference sooner or later by the rotation of the main assembly driving portion 20 in the direction indicated by an arrow c, and therefore, correct locking of the engaging projection 3A is established. With further  
10 rotation, as shown in (C) of Figure 18, the engaging rib 20a is engaged with the engaging projection 3B, so that rotation is transmitted to rotate the toner bottle 1.

By providing the number of engaging  
15 projections 3 which is at least one larger than the number of engaging ribs 20a, at least one of the engaging projections is engaged with the locking hole without an interference with the engaging rib  
irrespective of the position of the toner bottle 1 in  
20 the rotational direction. In this manner, the toner bottle 1 can be assuredly set in the apparatus.

The number of the engaging projections 3 may be four rather than two as in this embodiment. In that case, the number of the engaging ribs is not more  
25 than three.

In this case, even if the number of the engaging ribs and the number of the engaging

projections are the same, the distance (phase) between the engaging rib may be made different from the distance (phase) between the engaging projections, by which at least one engaging projections is not the  
5 line with the engaging rib upon the insertion of the bottle, so that correct looking can be accomplished there.

When a plurality of engaging ribs are provided at different circumferential position, it is  
10 preferable that engaging ribs are disposed at regular intervals in consideration of the drive transmission property.

Figure 20 shows another example which also eliminates the necessity for the phase alignment. In  
15 this modified example, a shallow locking groove 20e is extended in the entire inner circumference of the engaging portion 20d of the main assembly driving portion 20, and an engaging hole 20d for engagement with the engaging projection 3 is formed in the  
20 locking groove 20e. The locking groove 20e is not as deep as to completely engaged with the engaging projection 3, but is so shallow as to permit half engagement to permit automatic unsealing action.

Referring to Figure 21, the operation upon  
25 the engagement in this modified example will be described.

In Figure 21, (A) shows a state in which the

toner bottle 1 has not yet been inserted into the main assembly driving portion 20, and the engaging hole 20d of the main assembly driving portion 20 and the engaging projection 3 sealing member 2 are not aligned in the positions in the rotational direction, as indicated in X-X cross-section. With the insertion of the toner bottle 1, the state shown in (B) of Figure 21 is reached, in which the engaging projection 3 is half-engaged with the locking groove 20e. With the state, when the toner bottle 1 is retracted, only the toner bottle 1 is retracted in the direction indicated by the arrow b since the sealing member 2 is locked with the locking groove 20e, so that sealing member 2 and the toner bottle 1 are spaced apart with certainty to unseal the opening 1a. When the main assembly driving portion 20 rotates in the direction indicated by an arrow c, the engaging hole 20d and the engaging projection 3 are aligned as shown in (C) of Figure 21, and the engaging projection 3 is now completely engaged with the engaging hole 20d to permit transmission of the rotational driving force.

In this manner, according to this embodiment, the toner bottle 1 can be properly set in the main assembly 100 of the apparatus simply by inserting the toner bottle 1 into the main assembly 100, without the necessity of adjusting the position of the bottle 1 in the rotational direction. Therefore, the exchange

operation is simple and easy.

Additionally, since the opening and closing operation for the opening of the toner supply container is automatically executed in the main assembly of an image forming apparatus, and therefore, the user is not required to open or close the opening. This eliminates the possibility of contaminating the hands of the user.

(Releasing method)

Referring to Figure 22, the description will be made as to releasing between the engaging projection 3 and the main assembly driving portion 20.

When the toner supply is completed, and the toner bottle 1 becomes empty, the current toner bottle 1 is removed, and a new toner bottle is set.

At this time, it is necessary to release the sealing member 2 from the driving portion 20.

As shown in Figure 22, the inside of the main assembly of the apparatus, more particularly, the inside of the driving portion 20 is provided with a pushing member 21. The pushing member 21 is movable in the same direction as the direction of the axis of the driving shaft 1b of the toner bottle 1.

In Figure 22, (A) shows a state in which the toner supply is completed, and the opening 1a of the toner bottle 1 is in an open state.

When the locking between the driving portion

20 and the sealing member 2 is released, the pushing member 21 is announced in a direction indicated by an arrow a to the releasing portion 4 at the free end of the sealing member 2, by which the releasing portion 4 is elastically deformed in the same direction, and correspondingly, the engaging projection 3 integral with the releasing portion 4 the forms toward inside. By this, the engaging projection 3 is disengaged from the main assembly driving portion 20.

10           The pushing member 21 further advances in the direction of arrow a, by which the sealing member 2 is press-fitted into the opening 1a, thus resealing the opening 1a of the toner bottle 1. The pushing member 21 is even further advanced in the direction of arrow a, by which the toner bottle 1 per se is retracted to slide the toner bottle 1 to a position to facilitate the user who is going to remove it.

          As for the driving structure for the pushing member 21, it may be interrelated with the opening and closing operation of the front cover 15 of the main assembly 100 of apparatus such that when the front cover 15 is opened, the pushing member 21 moves in the direction of arrow a to effect disengagement between the sealing member 2 of the toner bottle 1 and the driving portion 20, and when the front cover 15 is closed, it is advanced in the direction of arrow b. Alternatively, a driving motor or the like is used to

effect the disengaging operation independently. In another alternative, it is not interrelated with the front cover 15 of the main assembly 100 of the apparatus, but a manual lever is provided, which is manipulated by the user and is interrelated with the pushing member.

As described in the foregoing, according to the embodiments, the toner supply container can be locked in the main assembly of the electrophotographic image forming apparatus by a snap fit type engagement with certainty by inserting the toner supply container. When it is to be taken out, the snap fit type locking is easily released by pushing the releasing portion. Thus, the supplying operation from the toner supply container is accomplished with a very simple operation. Accordingly, a toner supply container of high operativity can be provided.

In addition, the disengagement of the drive transmission for the toner supply container is simultaneously effected, and also the opening and closing operation for the opening can be simultaneously effected.

These advantageous effects can be provided by very simple action at low cost with compact structure and reliable drive transmission.

In the toner dischargeable state, it is not necessary to provide means for rotatably supporting

the driving shaft 1b at the main body side of the toner bottle. This simplify the structure and avoids the problem of toner leakage, torque increase, production of coarse particles and so on.

5 (Embodiment 2)

Referring to Figures 23-25, 32, a second embodiment of the present invention will be described. The same reference numerals as with the first embodiment are assigned to the elements having the corresponding functions, and the detailed description  
10 of the common structure is omitted for simplicity.

As shown in Figure 23, in this embodiment, the releasing projection 4 (releasing portion) is provided on an outer surface not inside the  
15 cylindrical coupling engagement portion 2c of the sealing member 2 as in the first embodiment. In this embodiment, engaging projection 3 and the releasing portion 4 are provided at each of four  
20 circumferentially equidistant positions so as to constitute pairs. The structures of the driving portion 20 for locking engagement with the engaging projection of the sealing member is the same as with the Embodiment 1.

Correspondingly, the pushing member 21 is in  
25 the form of a cylinder covering the outside periphery of the driving portion 20 as shown in Figure 24 and is slidable for engagement with the releasing portion 4,

rather than a slidable rod as in the first embodiment. The inner surface of the free end portion of the pushing member 21 (cylindrical member) is tapered such that inner diameter increases, that is, the thickness  
5 of the cylinder reduces, toward the free end, by which the tapered portion 21a is engaged with the apex of the releasing portion 4 upon the engagement. Slits 2e are formed at the lateral sides of the supporting portion 2f for the engaging projection 3 and the  
10 releasing portion 4 to facilitate inward elastic deformation of the engaging projection 3 and the releasing portion 4 and restoration.

According to this embodiment, the entire sealing member can be integrally molded, and  
15 therefore, the production property of the sealing members is drastically improved, and the manufacturing cost can be reduced.

In Figure 25, (A) shows a state in which the toner supply is completed, and the opening 1a of the  
20 toner bottle 1 is still open.

When the engagement between the main assembly driving portion 20 and the sealing member 2 are to be released, the pushing member 21 is advanced to the releasing portion 4, as shown in (B) in Figure 25, so  
25 that releasing portion 4 is pressed inwardly by the inner surface of the pushing member 21. This displaces the releasing portion 4 inwardly (arrow d)

by the elastic deformation of the supporting portion 2f, and simultaneously, the engaging projection 3 is displaced inwardly together with the releasing portion 4. By this, the engaging projection 3 is disengaged from the main assembly driving portion 20. The releasing steps are carried out in interrelation with the opening operation of the exchange cover by the operator.

Thereafter, the pushing member 21 is advanced in the direction of arrow a, so that sealing member 2 is returned to the sealing position of the toner bottle 1, as shown in (C) of Figure 25. Subsequently, the pushing member 21 is further advanced to slide the toner bottle 1 per se to a position facilitating the user who is going to take the toner bottle 1 out.

As described in the foregoing, according to this embodiment, by the provision of the releasing portion 4 on the outer surface of the cylindrical portion 2c, the same advantageous effects as with the first embodiment described in the following can be provided. According to this embodiment, when the sealing member 2 is produced by injection molding of a resin material, the mold can be easily removed, and thus improving the production property.

A width of the engaging projection is larger than the width of the releasing projection, so that when the main body of the bottle is retracted for

automatic unsealing of the opening, the engagement between the engaging projection (locking surface) and the driving portion 20 is maintained. The releasing projection does not have such a function, and  
5 therefore, the width is reduced to minimize the resin material cost in the manufacturing.

It is a possible alternative that thin portion 2y is provided as shown in Figure 32 to make the base portions of the supporting portion 2f  
10 (supporting the engaging projection and the releasing projection) easy to deform. With this structure, the disengagement action is made sure while maintaining a sufficient rigidity of the sealing member including the engaging projection which receives the rotational  
15 driving force.

(Embodiment 3)

Referring to Figures 26 through 29, a third embodiment of the present invention will be described.

In the second embodiment, as shown in Figure  
20 24, the engaging projection 3 and the releasing portion (releasing projection) 4 for the sealing member 2 are provided at the outer surface of the engaging portion 2b. In this embodiment, as shown in Figure 26, the engaging projection 3 and the releasing  
25 projection 4 are provided at each of four circumferentially equidistant positions on an inner surface of the engaging portion 2b.

Corresponding to such a structure of the sealing member 2, the main assembly driving portion 20 has a configuration shown in Figure 27. The main assembly driving portion 20 comprises a cylindrical portions including a free end portion 20b, a small diameter portion 20c, a large diameter portion 20d and a rear end 20e which have different outer diameters. It also comprises a through-hole 20f through which the pushing member 21 is penetrated. The inner diameter of the through-hole 20f is constant. The small diameter portion 20c has a minimum outer diameter and is provided with an engaging rib 20a extending in the longitudinal direction of the driving portion 20 at each of the diametrically opposite positions.

Referring to Figure 28, the description will be made as to engagement between the driving portion 20 and the sealing member 2 in this embodiment.

In Figure 28, (A) shows a state in which the toner bottle 1 is inserted in a direction indicated by an arrow b for a user to install a new toner bottle 1 into the main assembly of apparatus, in which the toner bottle 1 is not yet been locked with the driving portion 20 provided in the main assembly of apparatus.

As shown in (B) of Figure 28, when the toner bottle 1 is further inserted, the engaging projection 3 provided in the sealing member 2 is brought into contact with the main assembly driving portion 20 and

is guided by the tapered surface 3c formed at the free end portion of the engaging projection 3, and is gradually and elastically deformed.

With further insertion, the engaging  
5 projection 3 having passed by the straight portion 20g, as shown in (C) of Figure 28, the forced deformation is released by the space portion 20h not having the engaging rib 20a, and the engaging  
10 projection 3 is firmly locked with the main assembly driving portion 20.

In the state shown in (C) of Figure 28, the engaging projection 3 is firmly engaged with the main assembly driving portion 20 such that position of the sealing member 2 in the thrust direction (axial  
15 direction) is fixed relative to main body of the toner bottle 1. Therefore, when the toner bottle 1 is retracted thereafter, the sealing member 2 is not retracted together with the toner bottle 1 but is firmly fixed to the main assembly driving portion  
20 20. On the other hand, only the toner bottle 1 is destructive, the sealing member 2 becomes away from the toner bottle 1 the unseal or open the opening 1a. The retracting operation of the toner bottle 1 may be such that toner bottle 1 is slid in interrelation with  
25 the opening and closing operation of the front cover 15 (Figure 2).

Referring to Figure 29, the releasing or

disengaging action in this embodiment will be described.

When the sealing member 2 is to be disengaged from the main assembly driving portion 20, the pushing member 21 disposed at the central portion of the main assembly driving portion 20 is slid in the direction of arrow a, and only by which it is disengaged from the main assembly driving portion 20.

By advancing the pushing member 21 in the direction of arrow a relative to the releasing portion 4 provided in the inside of the sealing member 2, the part supporting the releasing portion 21, as shown in (B) of Figure 29, deforms outwardly so that releasing portion displaces outwardly, and therefore, the engaging projection 3 displaces outwardly. By this, the engaging projection 3 is disengaged from the main assembly driving portion 20.

With further advancement of the pushing member 21 in the direction of arrow a, the sealing member 2 is press-fitted into the opening 1a as shown in (C) of Figure 29. In this position, the sealing member 2 unseals the opening 1a of the toner bottle 1. By further advancement of the pushing member 21 in the direction of arrow a, the toner bottle 1 per se is slid backward to a position where the user can easily take the toner bottle 1 out.

As for the driving structure for the pushing

member 21, it may be interrelated with the opening and closing operation of the front cover 15 of the main assembly 100 of apparatus such that when the front cover 15 is opened, the pushing member 21 moves in the direction of arrow a to effect disengagement between the sealing member 2 of the toner bottle 1 and the driving portion 20, and when the front cover 15 is closed, it is advanced in the direction of arrow b. Alternatively, a driving motor or the like is used to effect the disengaging operation independently. In another alternative, it is not interrelated with the front cover 15 of the main assembly 100 of the apparatus, but a manual lever is provided, which is manipulated by the user and is interrelated with the pushing member.

In this embodiment, not releasing portion is not exposed to outside, and therefore, in case that toner supply container is unintentionally let fall, the releasing portion is not damaged, and therefore, the shock resistant property is high during the transportation.

In addition, by a very simple sliding of the pushing member in the forward and backward directions, the drive transmission of the toner bottle can be easily disengaged, and simultaneously, the opening and closing of the opening of the toner bottle can be accomplished.

These advantageous effects can be provided by very simple action at low cost with compact structure and reliable drive transmission.

(Embodiment 4)

5 Referring to Figure 30, a fourth embodiment of the present invention will be described.

In this embodiment, as shown in Figure 30, a sealing member 2, an engaging projection 3 and a releasing portion 4 mounted to the opening 1a of the toner bottle 1 are manufactured separately with  
10 respective to each other, and then they are assembled.

As shown in this Figure, two movable arms 3e are mounted by hinge portions 3h on the end surface of the sealing member 2 such that they are opposed to  
15 each other. Each of the movable arm 3e is provided at its free end portion with an engaging projection 3 for effect with the engagement which is similar to that in the first embodiment.

The engaging projections 3 are connected with  
20 each other by a link 3g through hinge portions 3i. The link 3g includes two members connected by a hinge which function as a releasing portion 4.

From an inside of the movable arm 3e fixed projections 3f are projected opposed to each other at  
25 a central portion. A spring 3j compressed between the fixed projections 3f. By the urging force provided by the spring 3j, the movable arm 3e urged outwardly, so

that engaging projection 3 is engageable with the main  
assembly driving portion 20 as shown in (A) of Figure  
30. The main assembly driving portion 20 suitable in  
this embodiment is for example that shown in Figure  
5 14.

With such a structure, when the toner bottle  
1 is to be engaged with the main assembly driving  
portion 20 by the engaging projection 3, it is enough  
to insert the toner bottle 1 into the main assembly of  
10 apparatus, similarly to Embodiment 1. More  
particularly, when the toner bottle 1 is inserted, the  
engaging projections 3 are brought into contact with  
the main assembly driving portion 20, by which the  
movable arms 3e are tilted inwardly against the spring  
15 force of the spring 3j together with the engaging  
projections 3. With further insertion, the engaging  
projection 3 are engaged with the main assembly  
driving portion 20 at a predetermined position by the  
spring force of the spring 3j, and simultaneously, the  
20 movable arms 3e restore the original position shown in  
(A) of Figure 30.

On the other hand, when they are to be  
disengaged from each other, as shown in (B) of Figure  
30, the pushing member 21 is pushed against the  
25 releasing portion 4 in a direction indicated by an  
arrow a, the engaging projections 3 are easily tilted,  
so that they are disengaged.

Similarly to the following embodiments, the structure of this embodiment also provides the same advantageous effects.

In this embodiment, the elastic deformation is not use, the engaging projection 3 may be made of any material not exhibiting elastic deformation per se, and therefore, the choice of the material is very big. For example, various materials such as aluminum, a steel or magnesium, or wood, hard resin material or the like is usable. A higher engagement strength can be maintained, and the durability is improved.

The parts are connected with linking mechanism, which provides larger movable range than the elastic deformation, and therefore, a larger engagement area is usable. Therefore, the engagement is very firm with high reliability.

In this embodiment, the elastic deformation of the sealing member is not utilize unlike Embodiments 1-3, but a link type is employed. Therefore, the durability is better, but the structure is rather complicated with the possible result of cost increase.

(Embodiment 5)

The present invention is not limited to the foregoing Embodiments. In Embodiment 5, the structures are the same as that of said embodiment (Figure 20) except for the portions which will be

described.

For example, as shown in Figure 31, the opening 1a of the toner bottle 1 may be provided in the cylindrical surface 1d adjacent the longitudinal end surface. In such a case, the coupling engagement portion 2c is not provided in the sealing member 2 and may be mounted rotatably in an end surface of the main body 1A of the toner bottle. In this case, the opening 1a is unsealably sealed by a shutter member S.

10           The coupling engagement portion 2c as a function of locking the main body 1A of the toner bottle with the main assembly (driving portion 20 shown in Figure 20) of the image forming apparatus by a locking portion (locking surface of the engaging projection 3), a function of receiving a rotational driving force from the main assembly side of the image forming apparatus by a driving force receiving portion (a drive receiving surface of the engaging projection 3), a function of disengaging the main body 1A of the toner bottle from the main assembly (driving portion 20) of the image forming apparatus by a releasing portion 4, and a function of transmitting the driving force received by the driving force receiving portion to the coupling engagement portion 2c and the toner feeding member fixed in the toner bottle. With this structure, a force of separating the toner bottle from the driving portion 20 of the main assembly of

apparatus for some reason or another, while the rotation is received from the main assembly of apparatus, they are maintained engaged with each other, and therefore, it is avoided that transmission of the rotational driving force to the toner bottle is unintentionally disengaged.

(Embodiment 6)

Referring to Figure 33, a sixth embodiment will be described.

10 In the foregoing embodiment, the locking mechanism, the releasing mechanism and the drive transmission mechanism are used between an image forming apparatus and a toner supply container (sealing member). In this embodiment, the use is made between an image forming apparatus and an 15 electrophotographic photosensitive member detachably mountable relative to the main assembly of the image forming apparatus, in which the photosensitive drum is exchanged with a new one after the service life. In 20 the other aspects, the structures are the same as with Embodiment 1.

In Figure 33, the coupling engaging portion 2c provided at an end of a photosensitive drum 104 is engaged with a driving portion 20 of the main assembly of the image forming apparatus similarly to Embodiment 25 1, so that rotational driving force is transmitted from the driving portion 20 to the photosensitive

member. The structures for the disengagement therebetween is similar to that of Embodiment 1.

As will be understood, the drive transmission mechanism of this invention is not limited to the toner supply container or the image forming apparatus, but is applicable to a structure for transmitting rotational, swing or reversing motion about a rotation axis.

The automatic sealing operation for the opening may be accomplished in the following manner.

In interrelation with and opening operation of the exchange cover by the operator, the main body of the toner bottle is advanced toward the sealing member with the engagement between the sealing member and the driving portion 20 maintained, by which the sealing member is press-fitted into the opening, thus accomplishing automatic sealing.

Thereafter, the pushing member 21 slides to be contacted into the releasing portion, and the engaging projection is disengaged from the driving portion 20. Furthermore, the pushing member 21 pushes the main body of the toner bottle together with the sealing member toward the change cover to a position where the operator can easily take the toner bottle out.

In this manner, the sliding movement (retraction, advancement) of the main body of the

bottle used for unsealing the opening can be used for resealing the open with a simple structure. In addition, the slide movement distance of the pushing member can be made shorter than in the foregoing  
5   embodiments, and therefore, complication of the apparatus at the main body side can be avoided.

The structure for the engagement and disengagement between the main assembly of the image forming apparatus and the toner bottle or the  
10   photosensitive member may be used in Embodiments 2, 3 and 4.

In Embodiments 1-6, only by the movement of the releasing projection of the main assembly of apparatus in a direction (axial direction, for  
15   example) of relative motion of the sealing member relative to the main body, the engaging projection or projections are moved in a direction or directions substantially perpendicular to the direction (radial direction, for example), and therefore, the structure  
20   for the disengagement is simple. Even when a plurality of engaging projections are provided, all the engaging projections are brought into disengaging positions by a force applied substantially at one position, and therefore, the structure for the  
25   disengagement is simple. In Embodiments 1, 4, 5 and 6, the releasing force receiving portion of the sealing member is disposed substantially at the free

end portion of the sealing member, so that releasing force receiving portion can be engaged with the main assembly at a relatively early stage after the start of insertion of the toner bottle.

5           In embodiments 1-4, the driving portion 20 provided in the main assembly of the image forming apparatus is provided with a locking hole and an engaging rib, and the sealing member 2 is provided with an engaging projection portion 3 engageable with  
10 the locking hole and the engaging rib of the driving portion 20, but the projection and recess relationship may be reverse. In other words, the driving portion 20 of the main assembly of the apparatus is provided with the engaging projection and the releasing portion  
15 (releasing projection), and the sealing member 2 is provided with the locking hole and the engaging rib. With such a structure, the same advantageous effects are provided.

          As described in the foregoing, according to  
20 these embodiments, the toner accommodating container and the main assembly of the image forming apparatus are locked in a snap fit type engagement, and the sealing member can be automatically engaged into or disengaged from the opening of the toner accommodating  
25 container, wherein the locking engagement can be released with a simple structure without load on the user.

Therefore, the toner supply operation can be carried out by the user with much less load.

Such a sealing member, a toner accommodating container and an image forming apparatus can be  
5 provided at low cost.

While the invention has been described with reference to the structures disclosed herein, it is not confined to the details set forth and this application is intended to cover such modifications or  
10 changes as may come within the purpose of the improvements or the scope of the following claims.

15

20

25

Claims

1. A toner supply container detachably mountable to an assembly of an electrophotographic imaging forming apparatus having a hollow cylindrical driving member that has a slot formed therein, which slot extends in a circumferential direction and defines a plurality of interior surfaces of the hollow cylindrical driving member, said toner supply container comprising:

i) a container body configured to contain toner and rotatable about an axis thereof, said container body including an opening provided at one axial end portion thereof and configured to permit discharge of toner contained in said container body; and

ii) a sealing member provided at the one axial end portion of said container body, said sealing member being movable relative to said container body in an axial direction of said container body, said sealing member including:

ii-i) a sealing portion provided at a side adjacent said container body and configured to seal said opening when said sealing member and said container body are in a first position relative to one another, said opening becoming unsealed by relative movement of said sealing member and said container body away from one another from the first position to a second position relative to one another; and

ii-ii) a coupling portion provided at a side remote from said container body and configured and positioned to receive a rotational drive force, said coupling portion including:

ii-ii-i) a supporting portion provided on said sealing portion, said supporting portion being elastically displaceable in an inward direction toward the axis of said container body and elastically restorable in an outward direction away from the axis of said container body; and

ii-ii-ii) an engaging portion provided at a free end of said supporting portion, said engaging portion configured and positioned to (a) displace in an inward direction with said supporting portion as said engaging portion enters the hollow cylindrical driving member and (b) engage with the slot of the hollow cylindrical driving member when said supporting portion elastically restores in an outward direction, said engaging portion including:

ii-ii-ii-i) a rotational force receiving portion capable of being abutted in a circumferential direction of the hollow cylindrical driving member by at least a portion of a first interior surface of the hollow cylindrical driving member defined by the slot to receive a rotational drive force from the hollow cylindrical driving member; and

ii-ii-ii-ii) a locking portion capable of being abutted in an axial direction of the hollow cylindrical driving member by at least a portion of a second interior surface of the hollow cylindrical driving member defined by the slot to prevent the sealing member from moving in the axial direction of said container body when said container body moves away from the hollow cylindrical driving member, thus causing the relative movement of said sealing member and said container body from the first position, in which said opening is sealed, to the second position, in which said opening is unsealed.

2. A toner supply container according to Claim 1, wherein said coupling portion further includes a releasing portion provided at a position closer to said container body than said engaging portion, said releasing portion configured and positioned to receive a force from a hollow cylinder that is substantially concentric with the hollow cylindrical driving member and cause said supporting portion to elastically displace in an inward direction.

3. A toner supply container according to Claim 2, wherein said releasing portion is provided on said supporting portion and the elastic displacement of said supporting portion in an inward direction occurs while an end of said supporting portion adjacent said sealing portion remains fixed.

4. A toner supply container according to Claim 1, wherein said coupling portion includes a plurality of engaging portions.

5. A toner supply container according to any of Claims 1 through 4, wherein said sealing member, including said sealing portion and said coupling portion, is integrally molded.

6. A toner supply system comprising:

i) an assembly of an electrophotographic image forming apparatus, said assembly having a hollow cylindrical driving member that has a slot formed therein, which slot extends in a circumferential direction and defines a plurality of interior surfaces of the hollow cylindrical driving member; and

ii) a toner supply container detachably mountable to said assembly, said toner supply container including:

ii-i) a container body configured to contain toner and rotatable about an axis thereof, said container body including an opening provided at one axial end portion thereof and configured to permit discharge of toner contained in said container body; and

ii-ii) a sealing member provided at the one axial end portion of said container body, said sealing member being movable relative to said container body in an axial direction of said container body, said sealing member including:

ii-ii-i) a sealing portion provided at a side adjacent said container body and configured to seal said opening when said sealing member and said container body are in a first position relative to one another, said opening becoming unsealed by relative movement of said sealing member and said container body away from one another from the first position to a second position relative to one another; and

ii-ii-ii) a coupling portion provided at a side remote from said container body and configured and positioned to receive a rotational drive force, said coupling portion including:

ii-ii-ii-i) a supporting portion provided on said sealing portion, said supporting portion being elastically displaceable in an inward direction toward the axis of said container body and elastically restorable in an outward direction away from the axis of said container body; and

ii-ii-ii-ii) an engaging portion provided at a free end of said supporting portion, said engaging portion configured and positioned to (a) displace in an inward direction with said supporting portion as said engaging portion enters the hollow cylindrical driving member and (b) engage with the slot of the hollow cylindrical driving member when said supporting portion elastically restores in an outward direction, said engaging portion including:

ii-ii-ii-ii-i) a rotational force receiving portion capable of being abutted in a circumferential direction of the hollow cylindrical driving member by at least a portion of a first interior surface of the hollow cylindrical driving member defined by the slot to receive a rotational drive force from the hollow cylindrical driving member; and

ii-ii-ii-ii-ii) a locking portion capable of being abutted in an axial direction of the hollow cylindrical driving member by at least a portion of a second interior surface of the hollow cylindrical driving member defined by the slot to prevent the sealing member from moving in the axial direction of said container body when said container body moves away from the hollow cylindrical driving member, thus causing the relative movement of said sealing member and said container body from the first position, in which said opening is sealed, to the second position, in which said opening is unsealed.

7. A toner supply system according to Claim 6, wherein said assembly further comprises a hollow cylinder that is substantially concentric with the hollow cylindrical driving member, and said coupling portion further includes a releasing portion provided at a position closer to said container body than said engaging portion, said releasing portion configured and positioned to receive a force from said hollow cylinder and cause said supporting portion to elastically displace in an inward direction.

8. A toner supply system according to Claim 7, wherein said releasing portion is provided on said supporting portion and the elastic displacement of said supporting portion in an inward direction occurs while an end of said supporting portion adjacent said sealing portion remains fixed.

9. A toner supply system according to Claim 6, wherein said coupling portion includes a plurality of engaging portions.

10. A toner supply system according to any of Claims 6 through 9, wherein said sealing member, including said sealing portion and said coupling portion, is integrally molded.

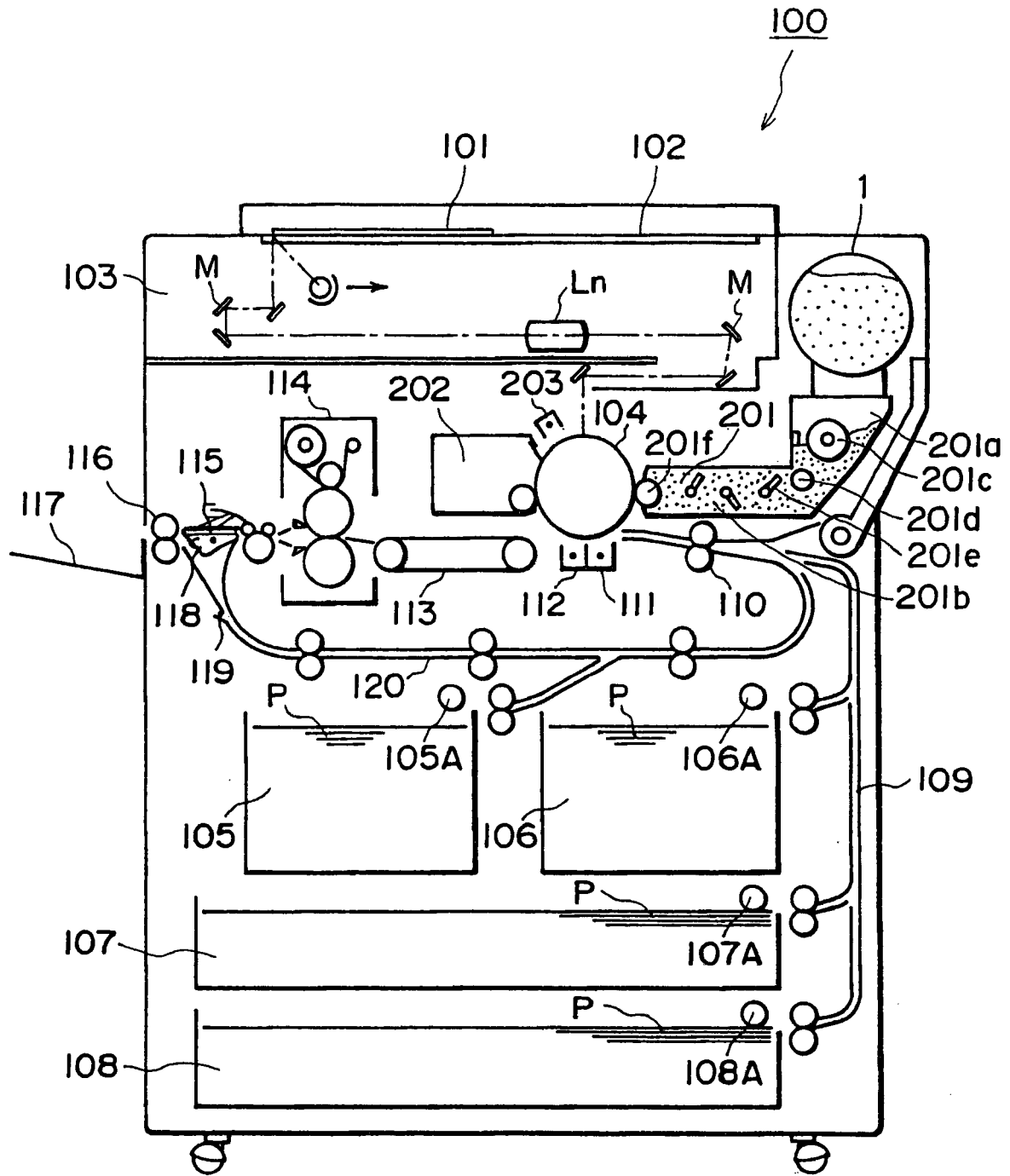


FIG. 1

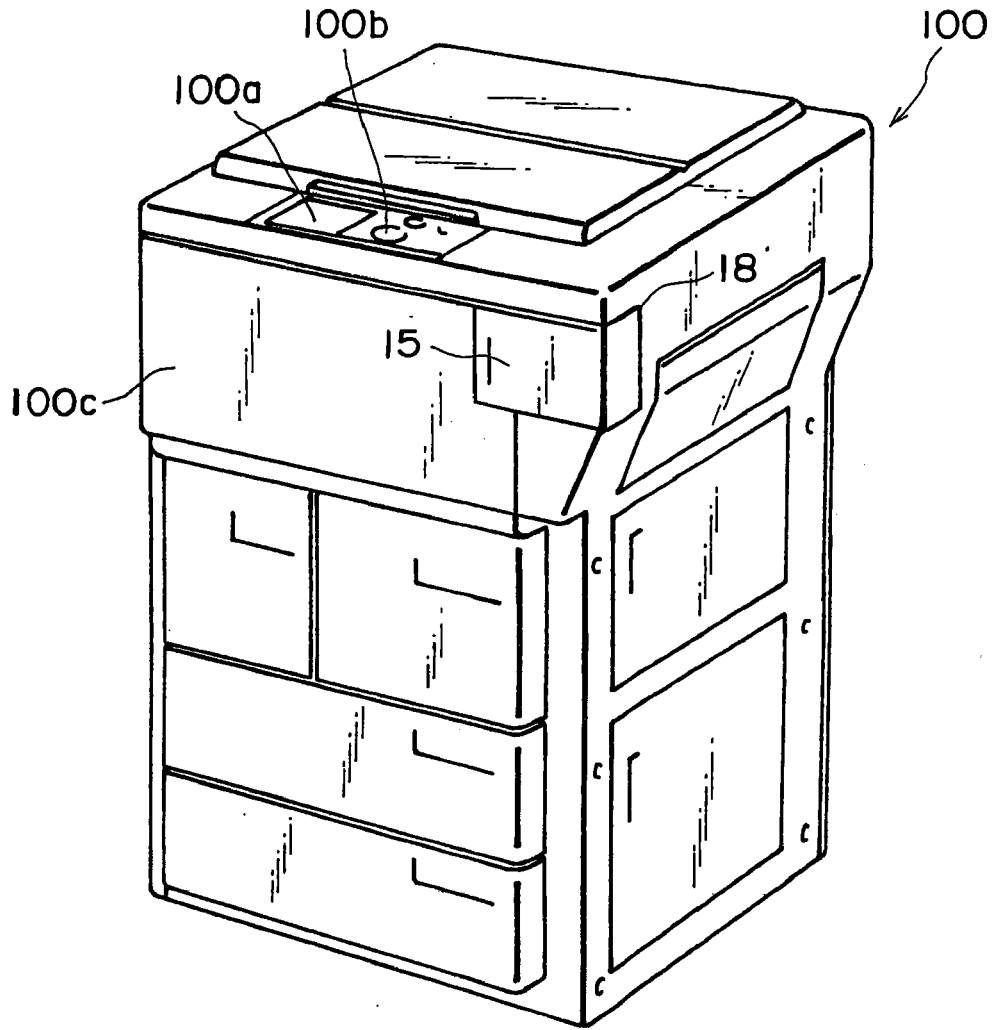


FIG. 2

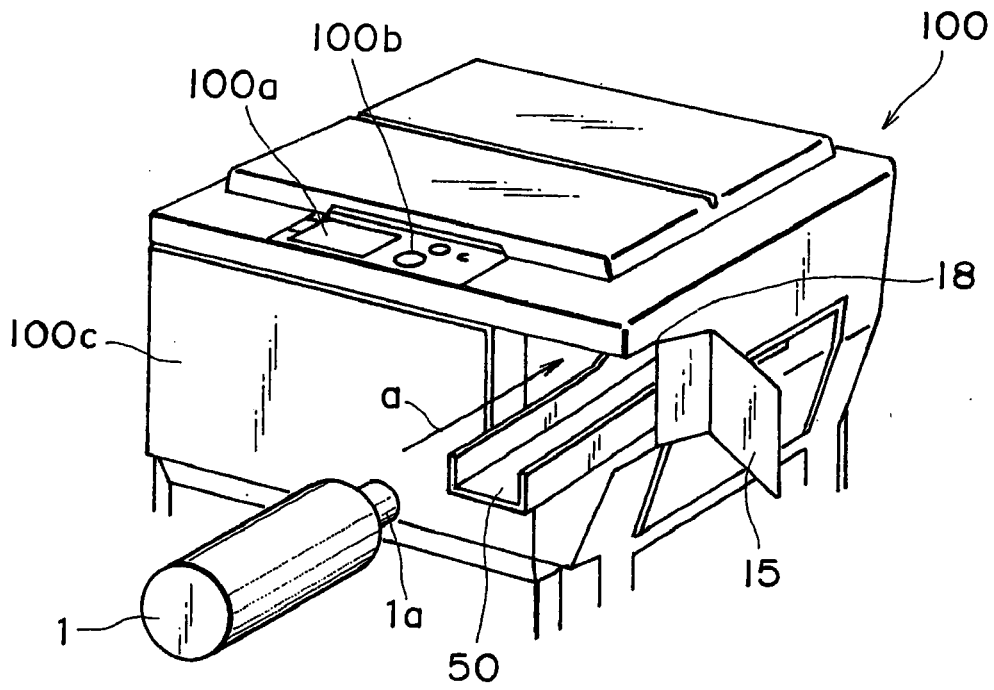


FIG. 3

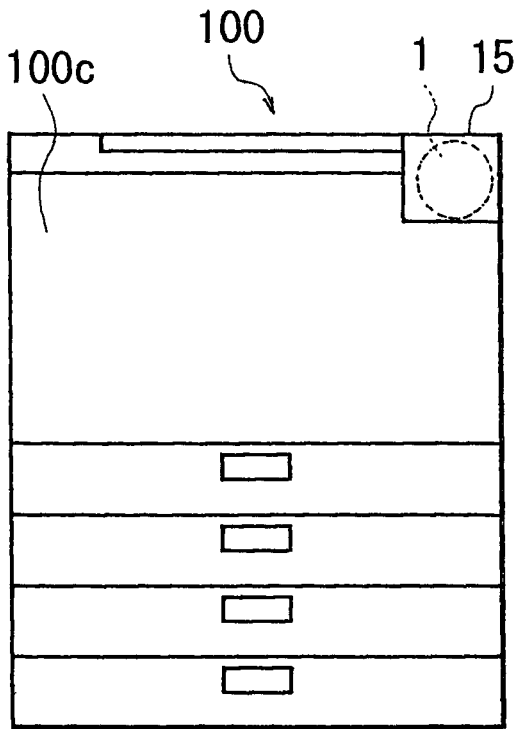


FIG. 4

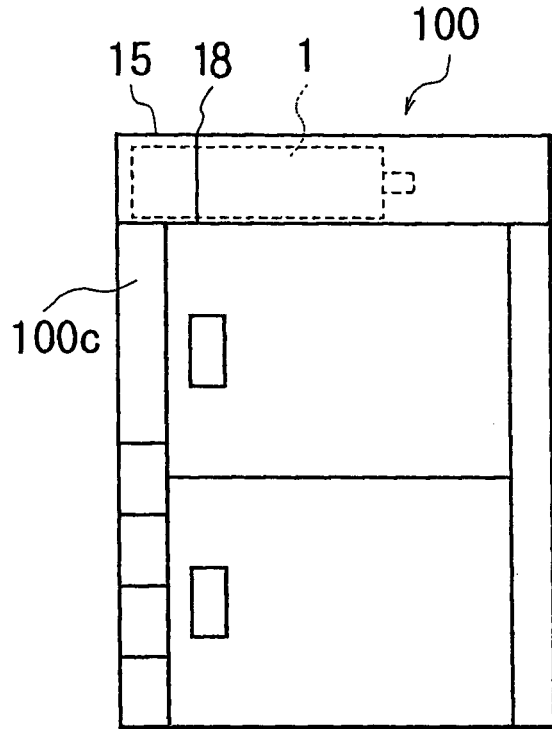


FIG. 5

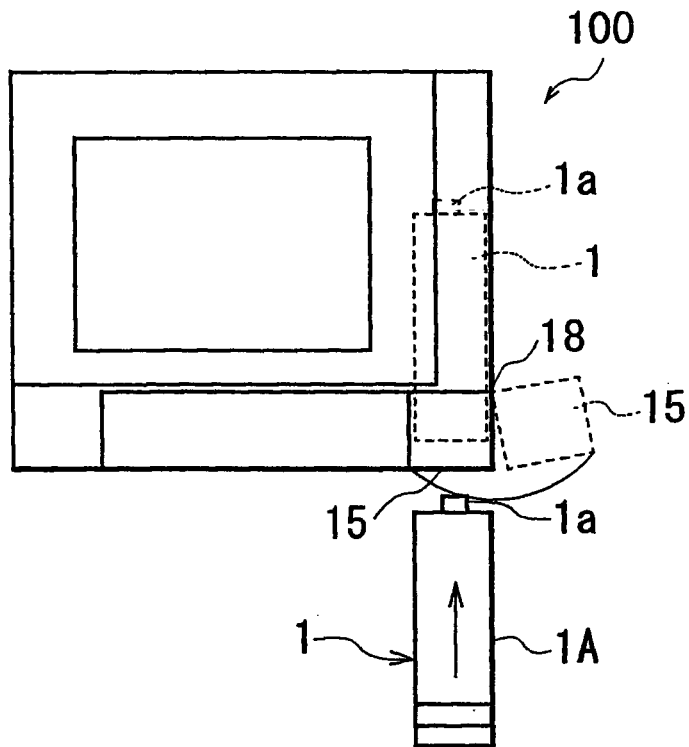


FIG. 6

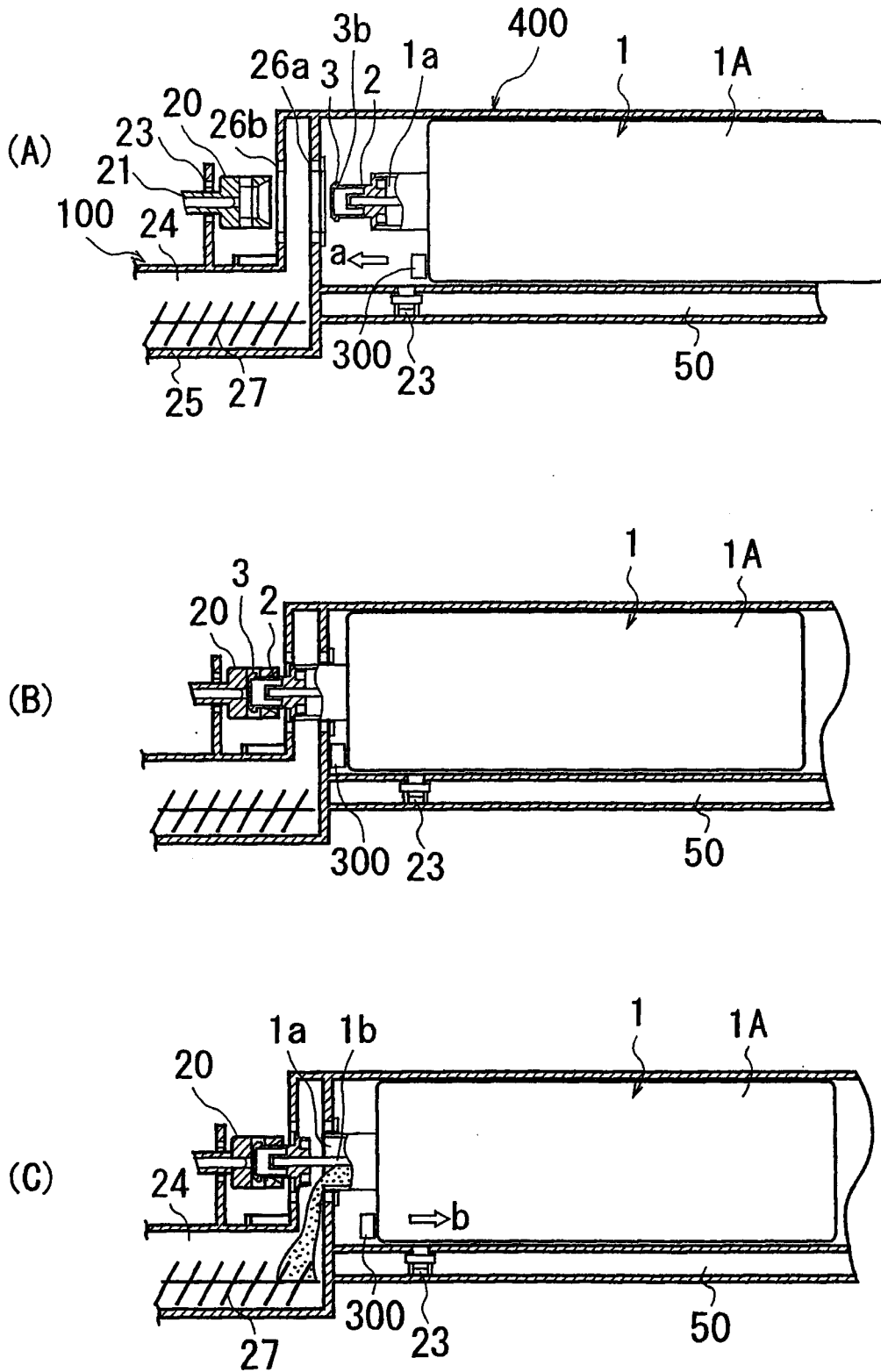


FIG. 7

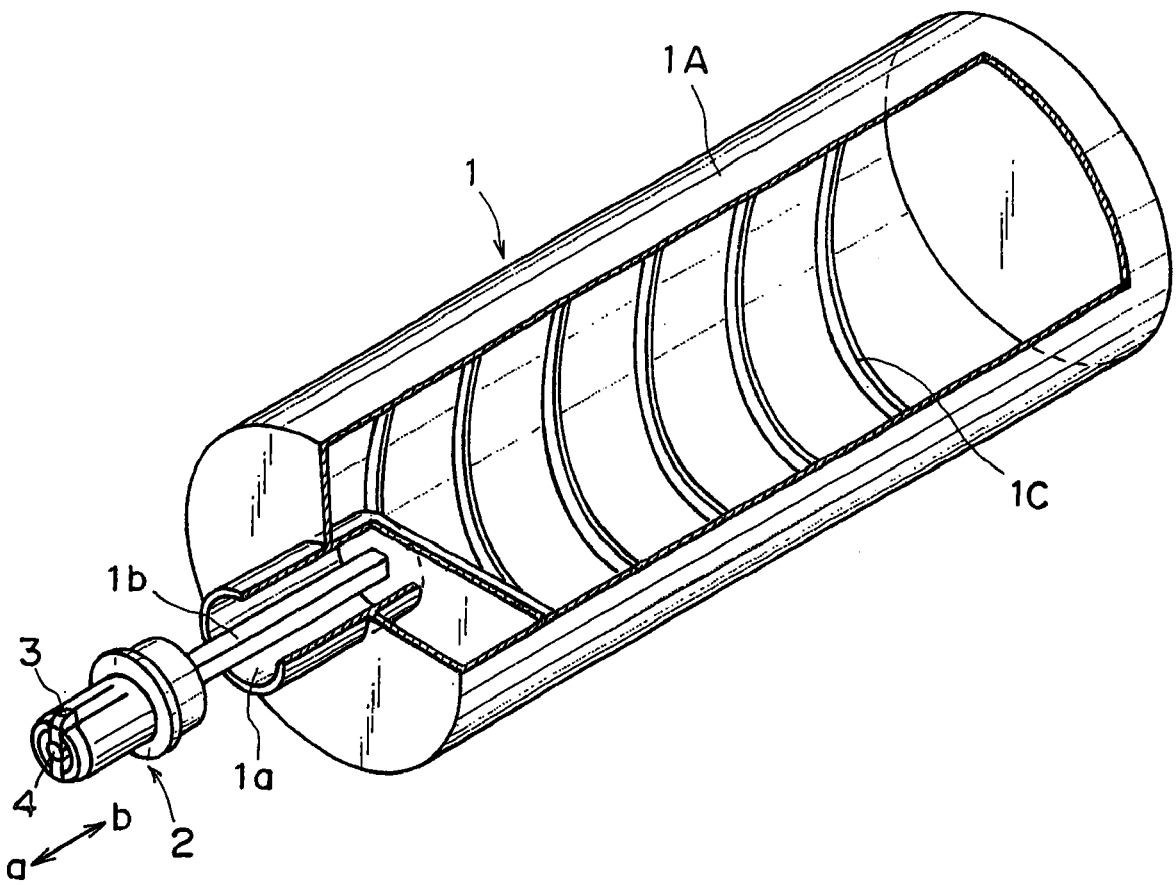


FIG. 8

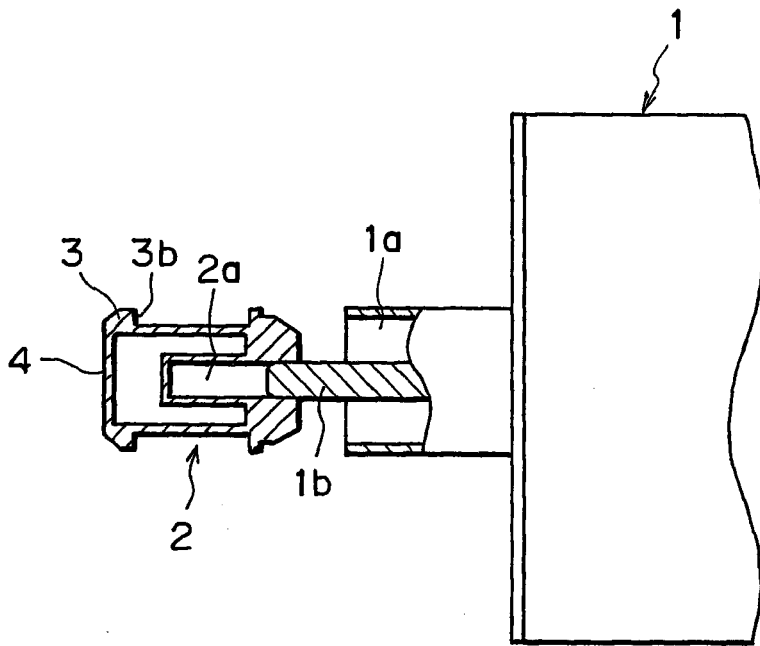


FIG. 9

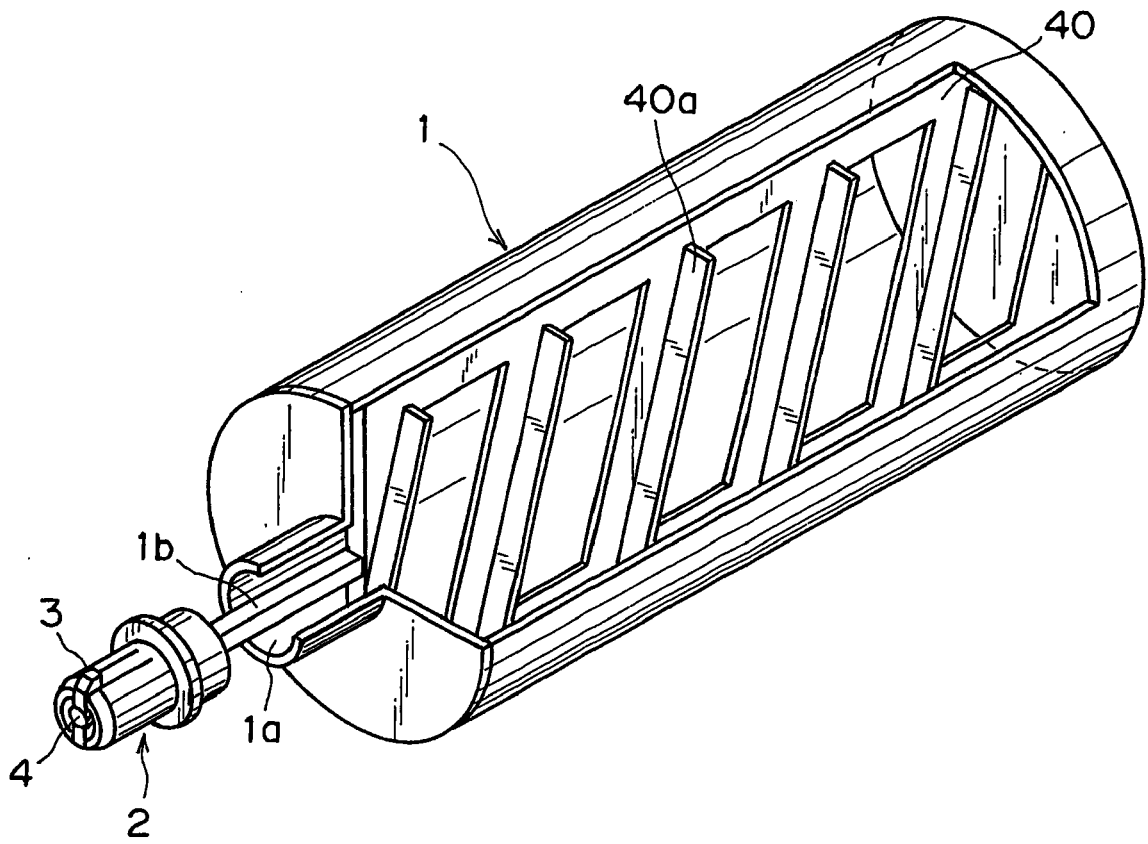


FIG. 10

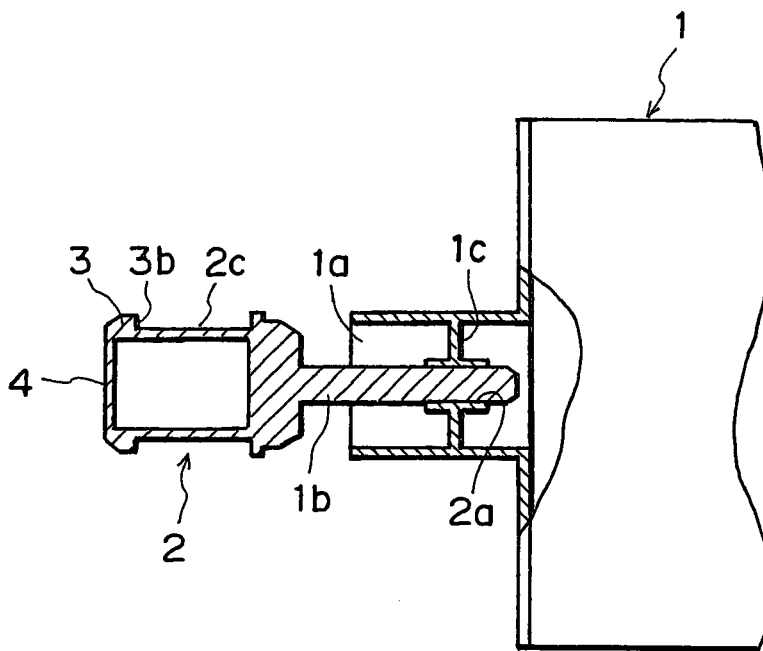


FIG. II

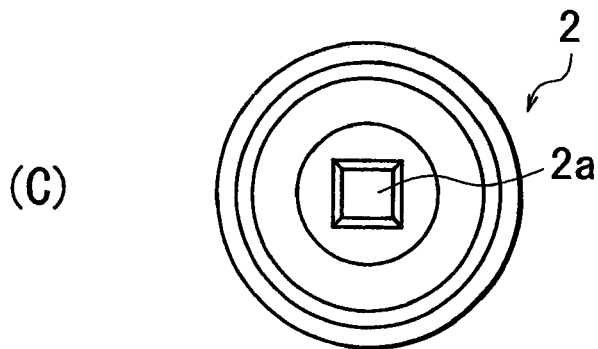
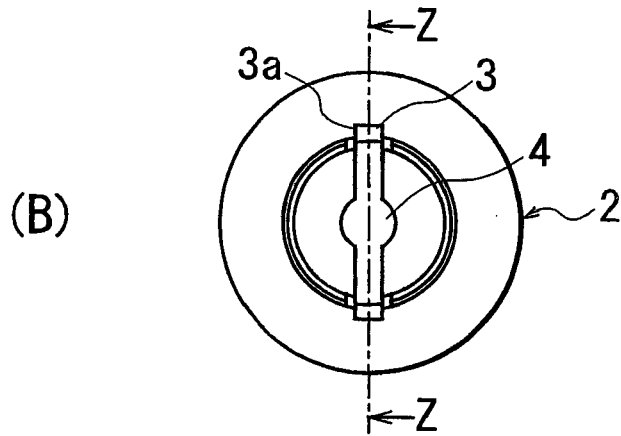
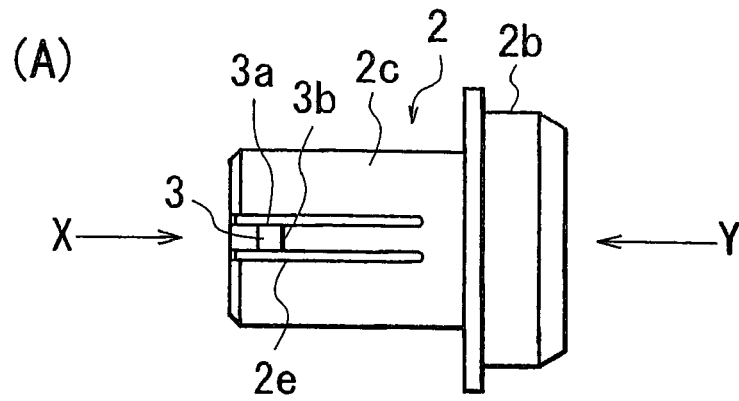


FIG. 12

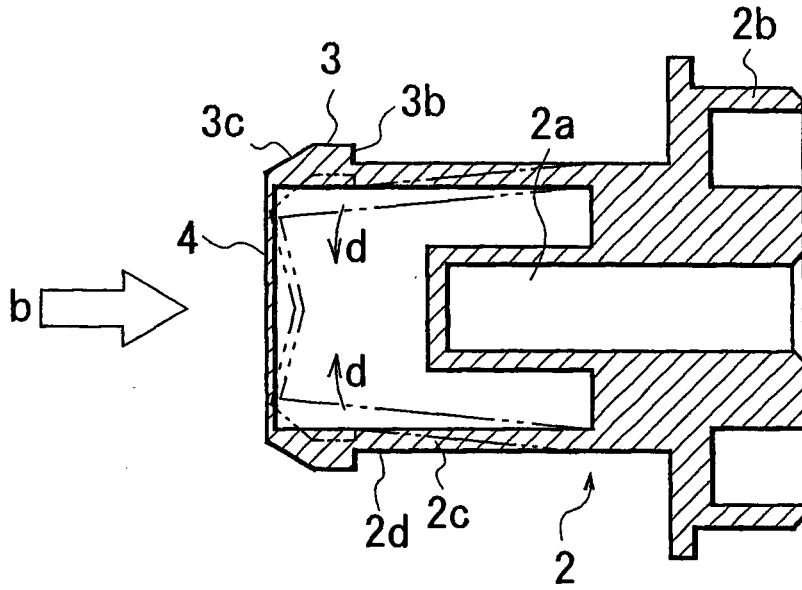


FIG. 13

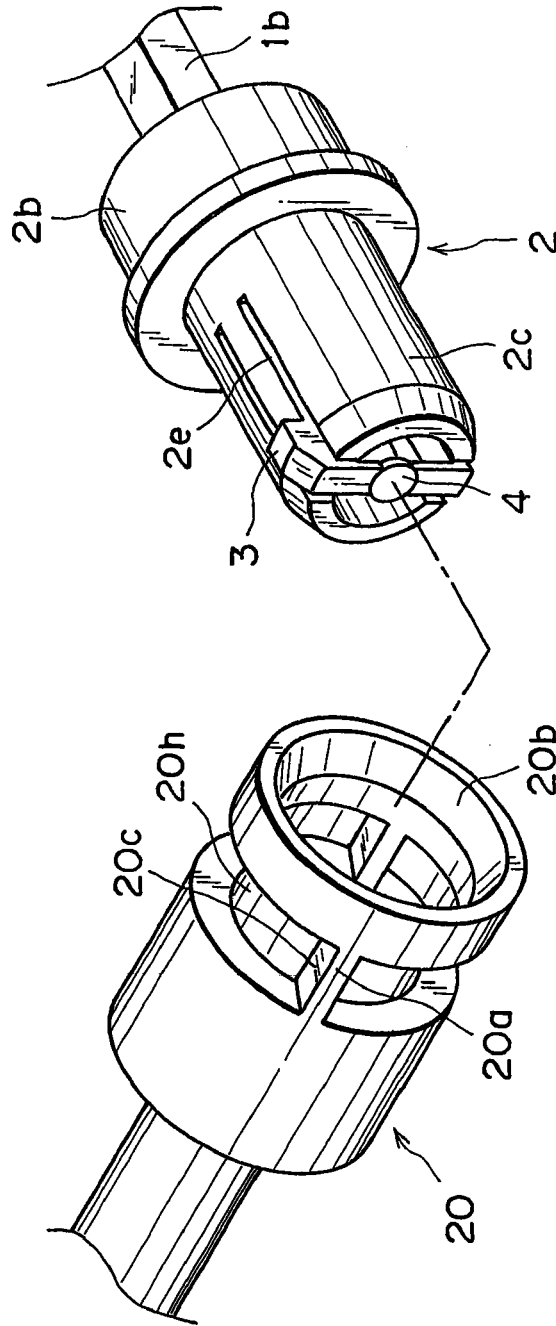


FIG. 14

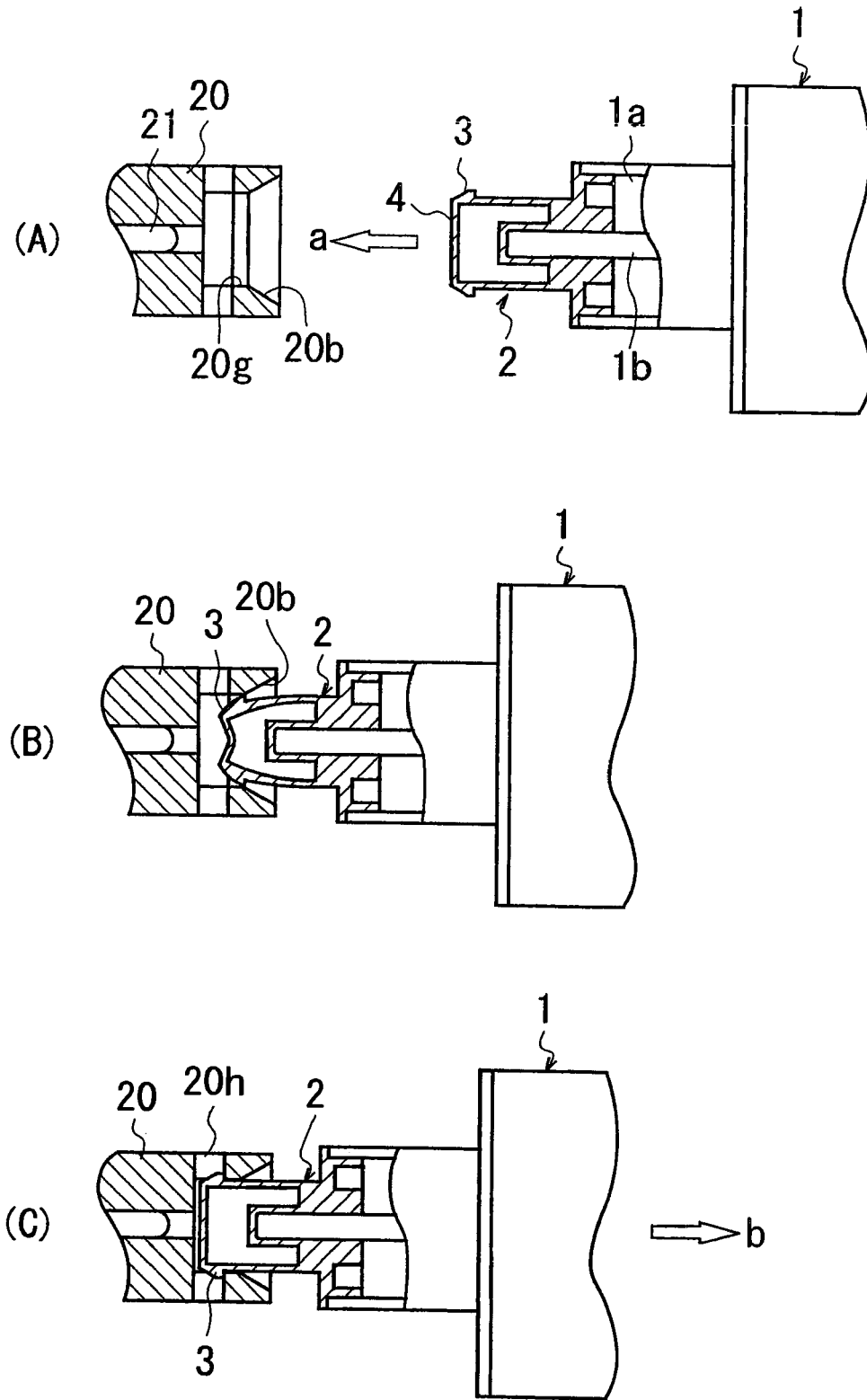


FIG. 15

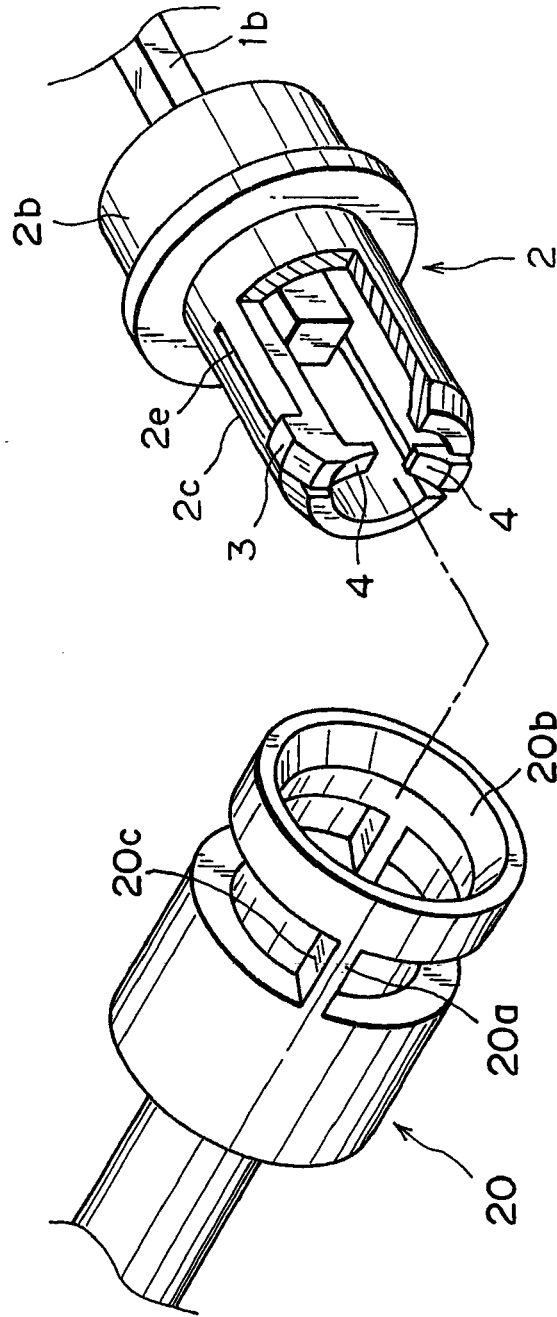


FIG. 16

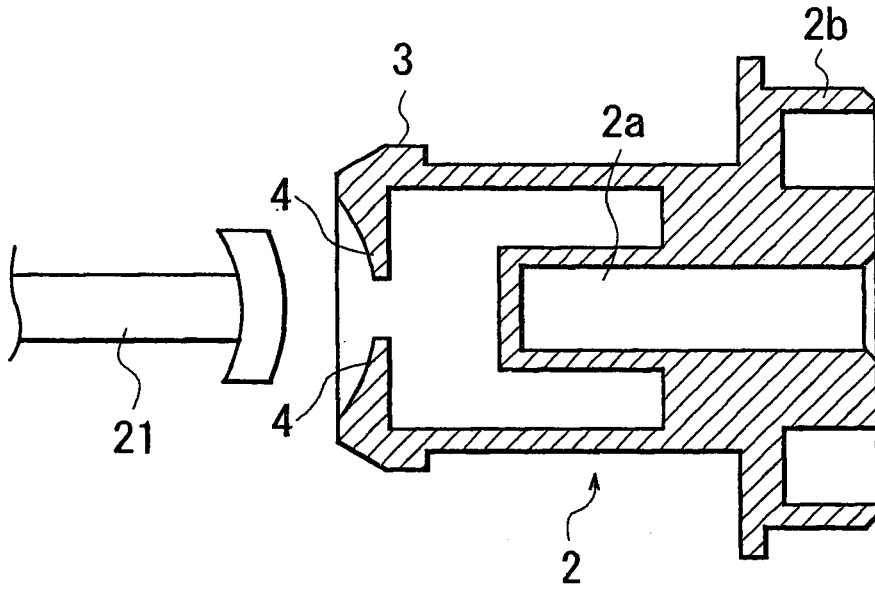


FIG. 17

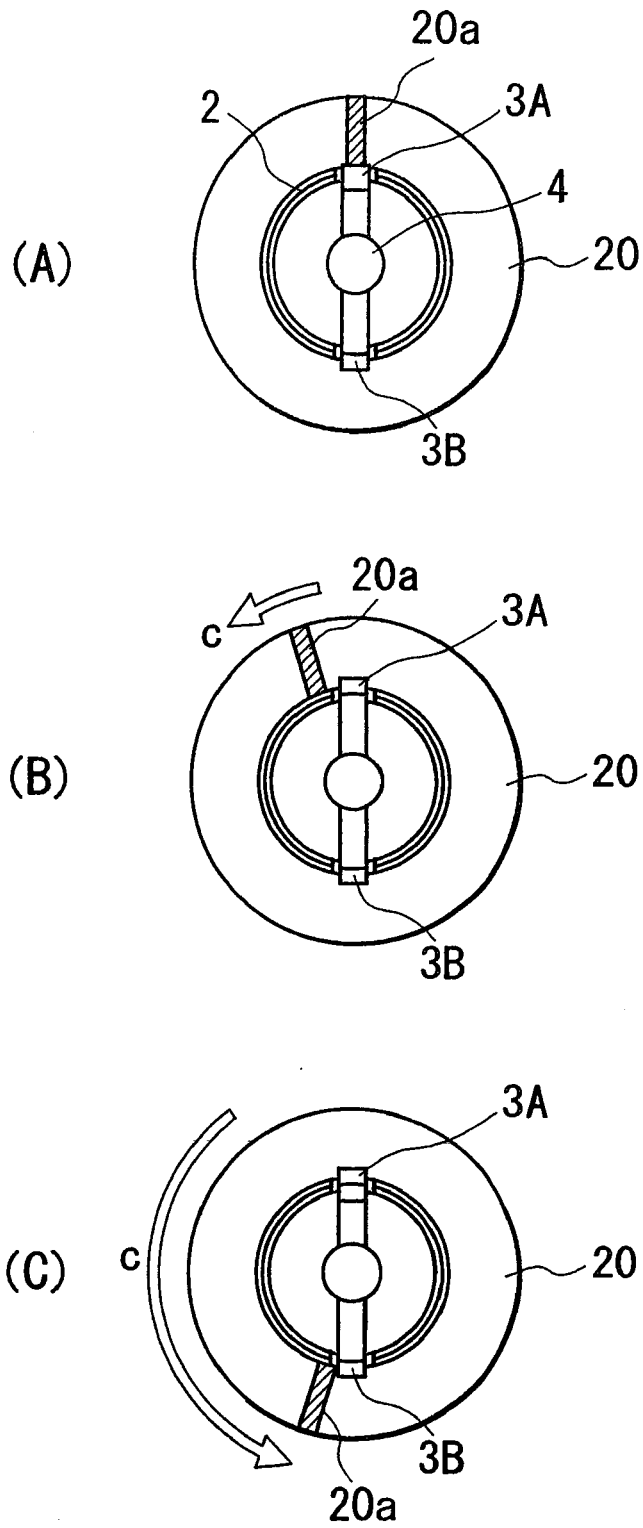


FIG. 18

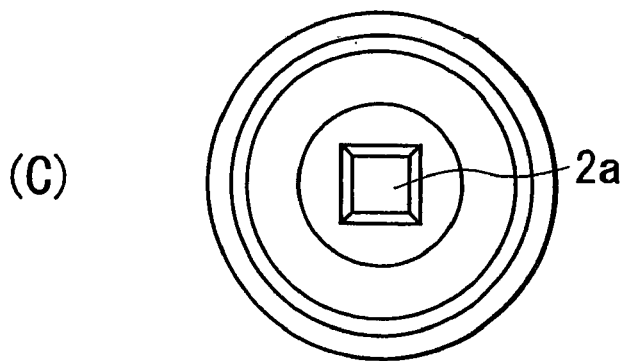
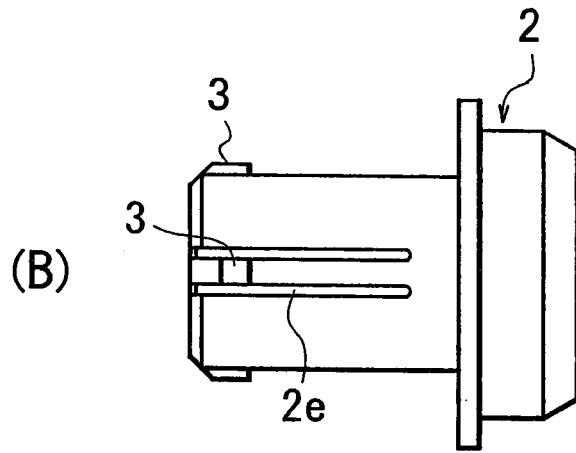
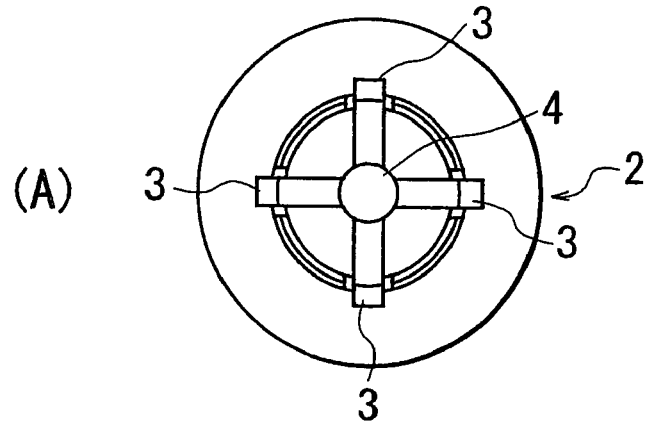


FIG. 19

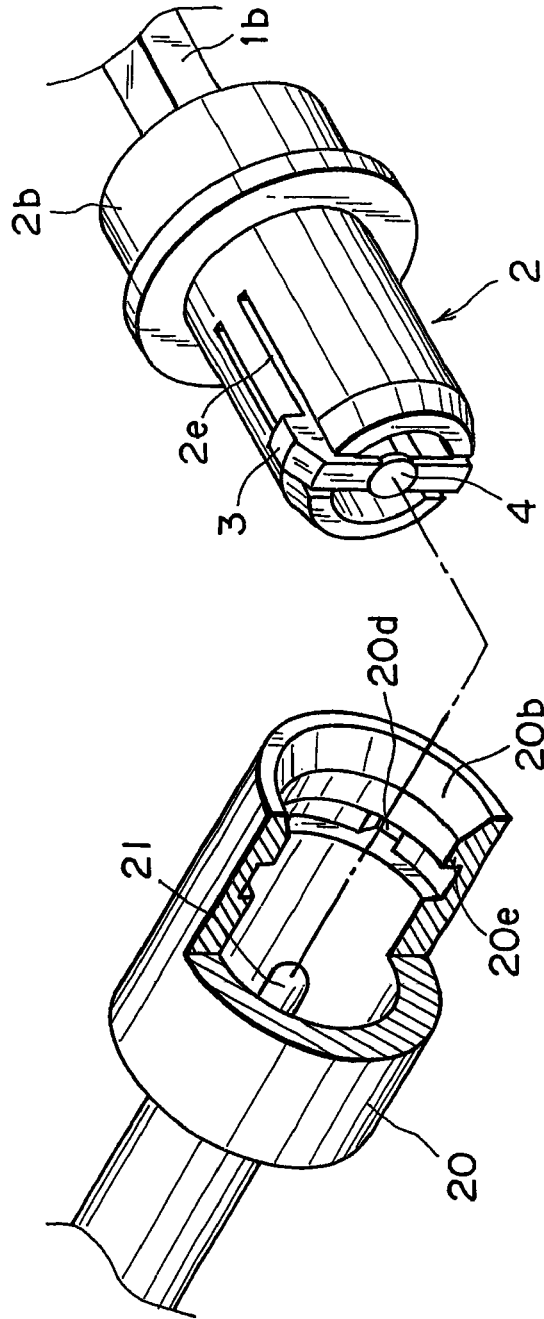


FIG. 20

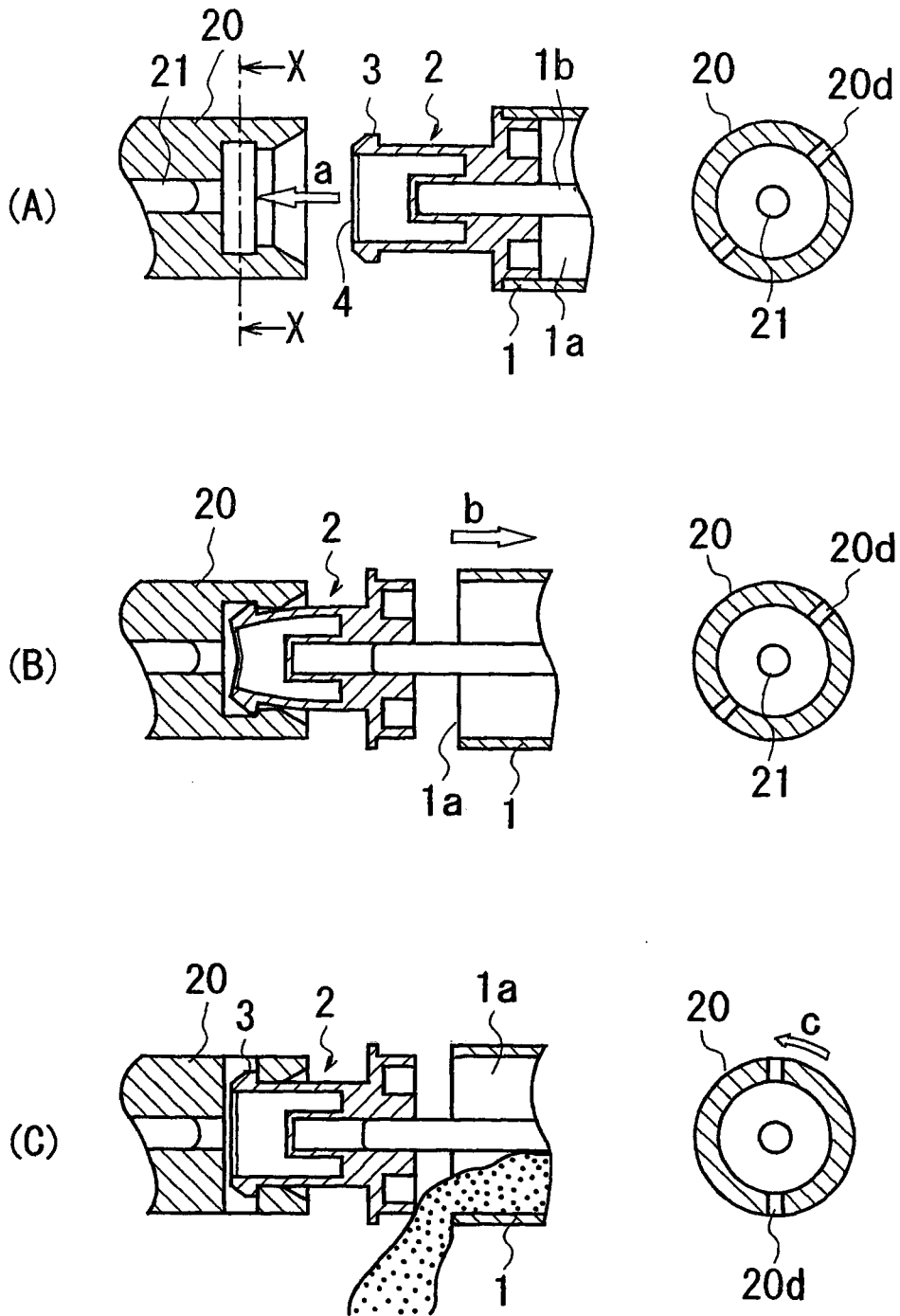


FIG. 21

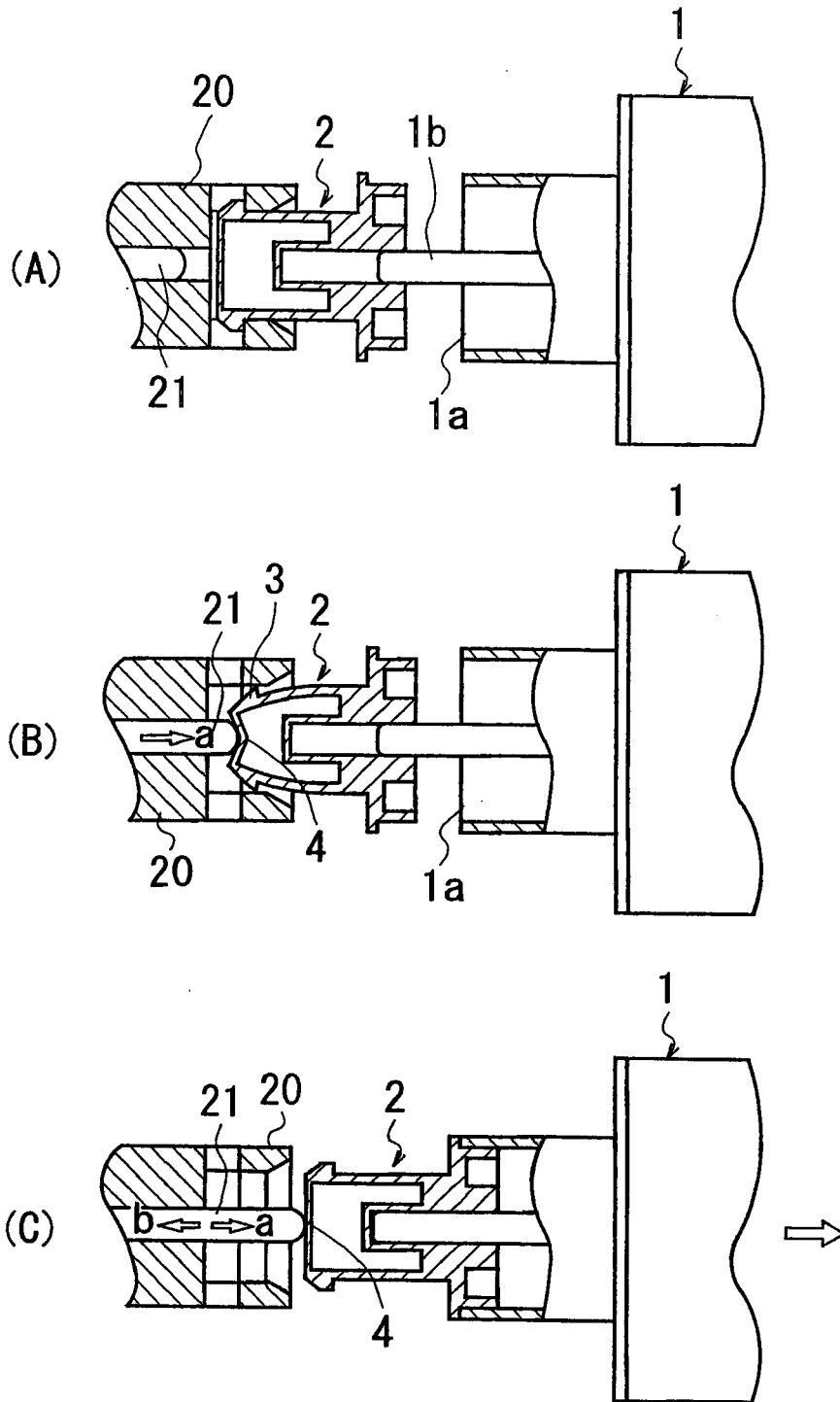


FIG. 22

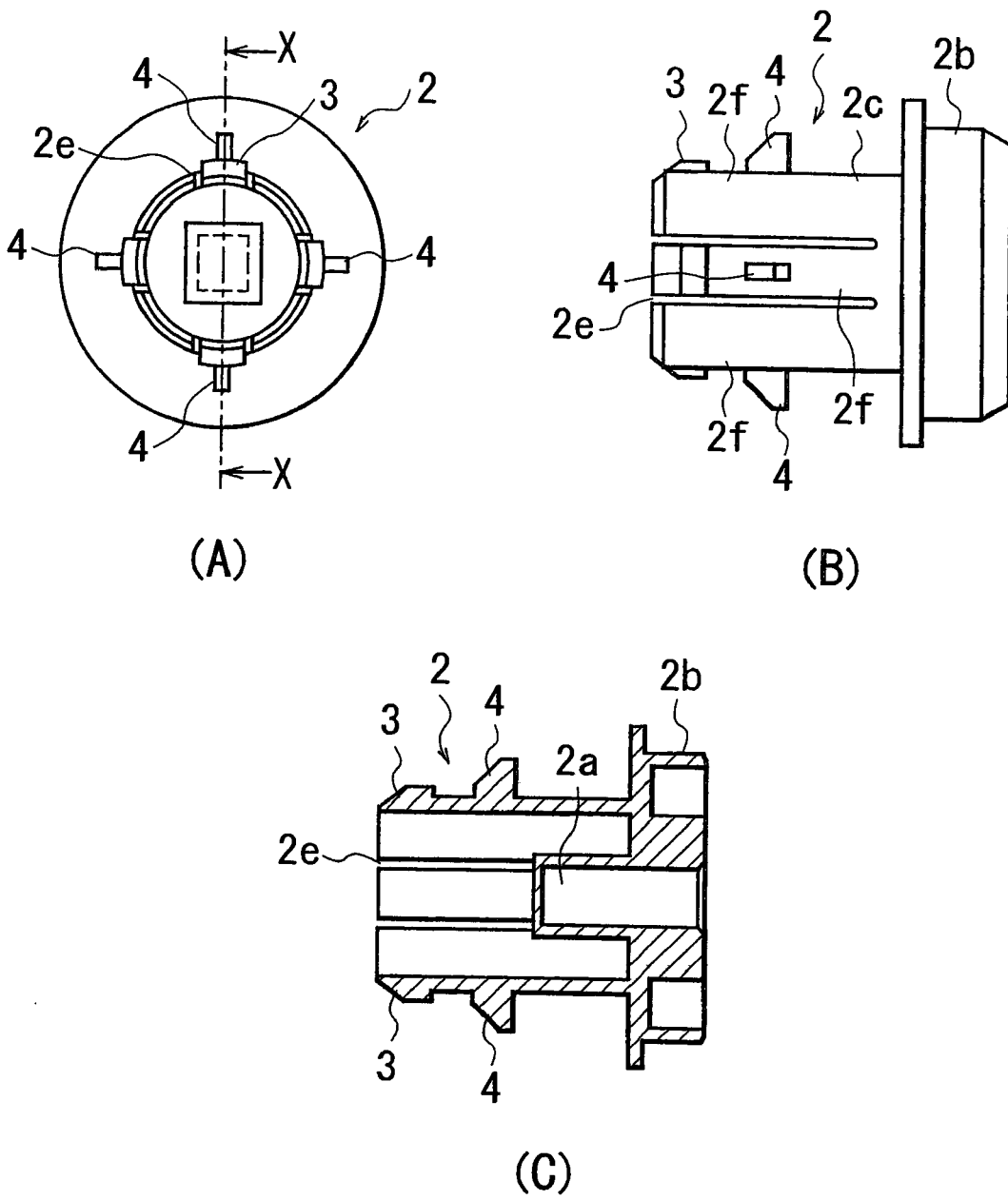


FIG. 23

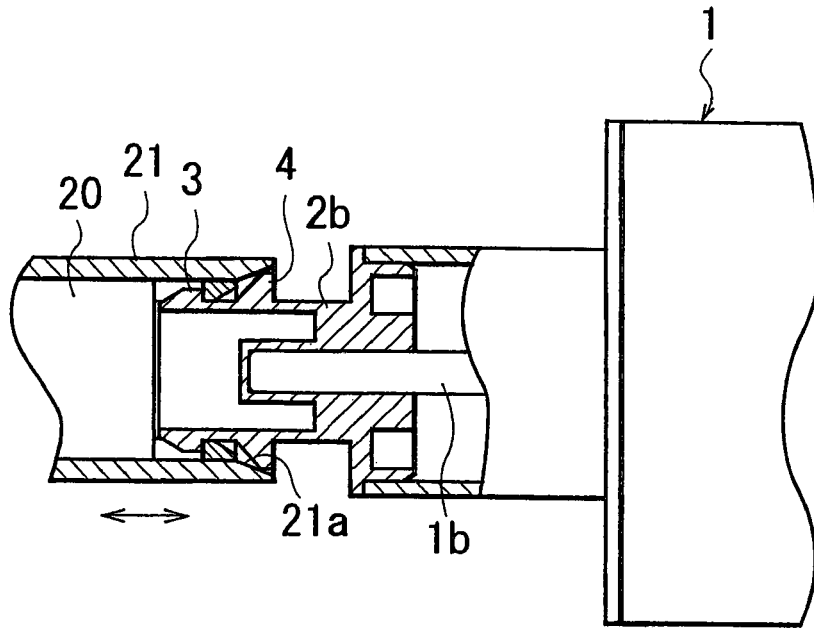


FIG. 24

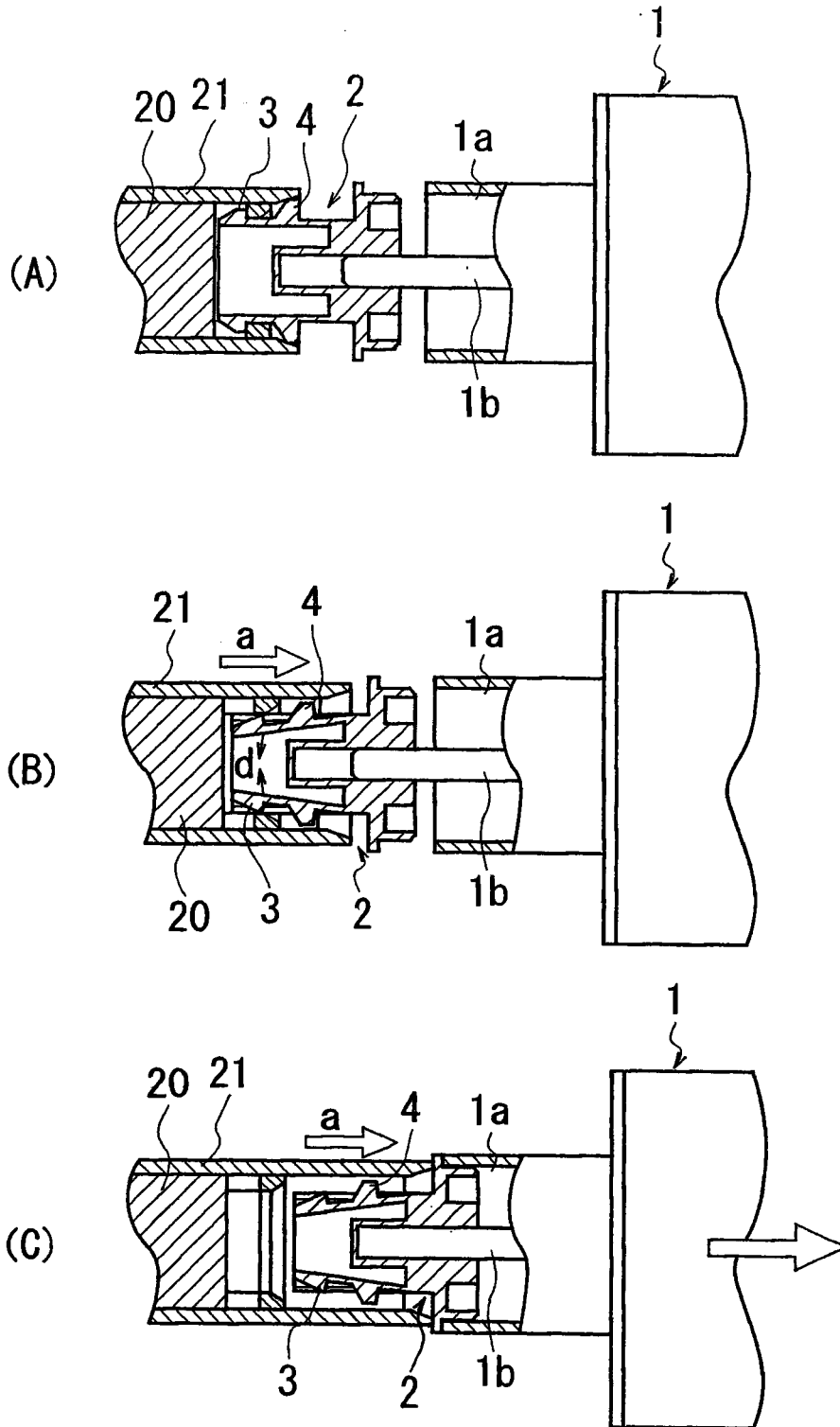


FIG. 25

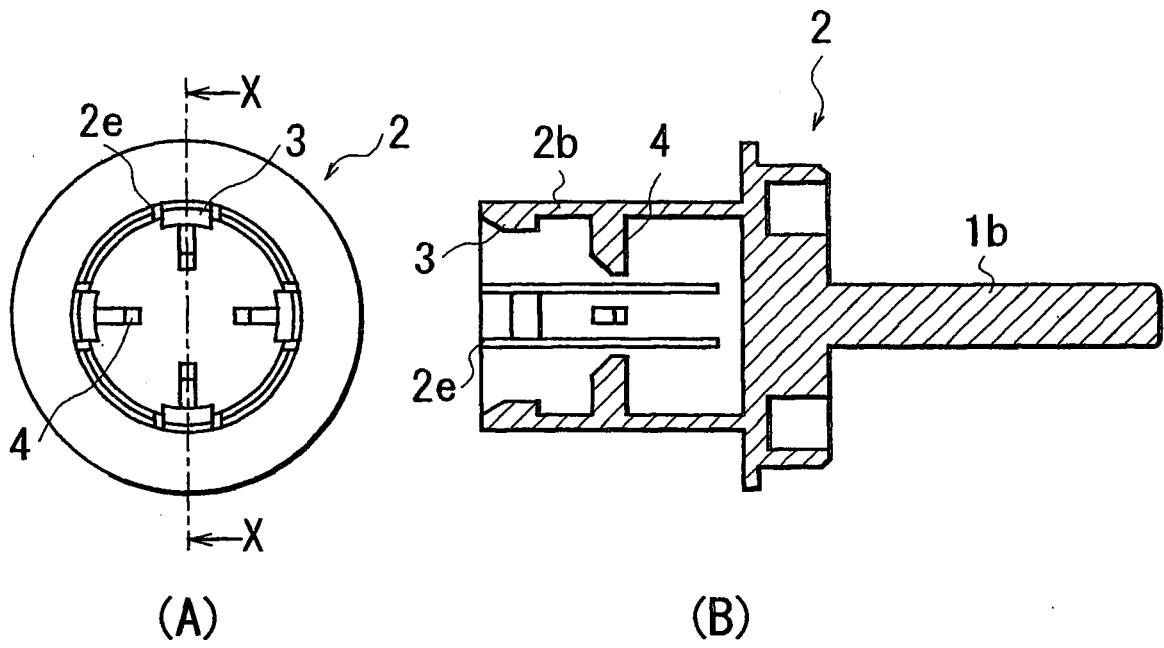


FIG. 26

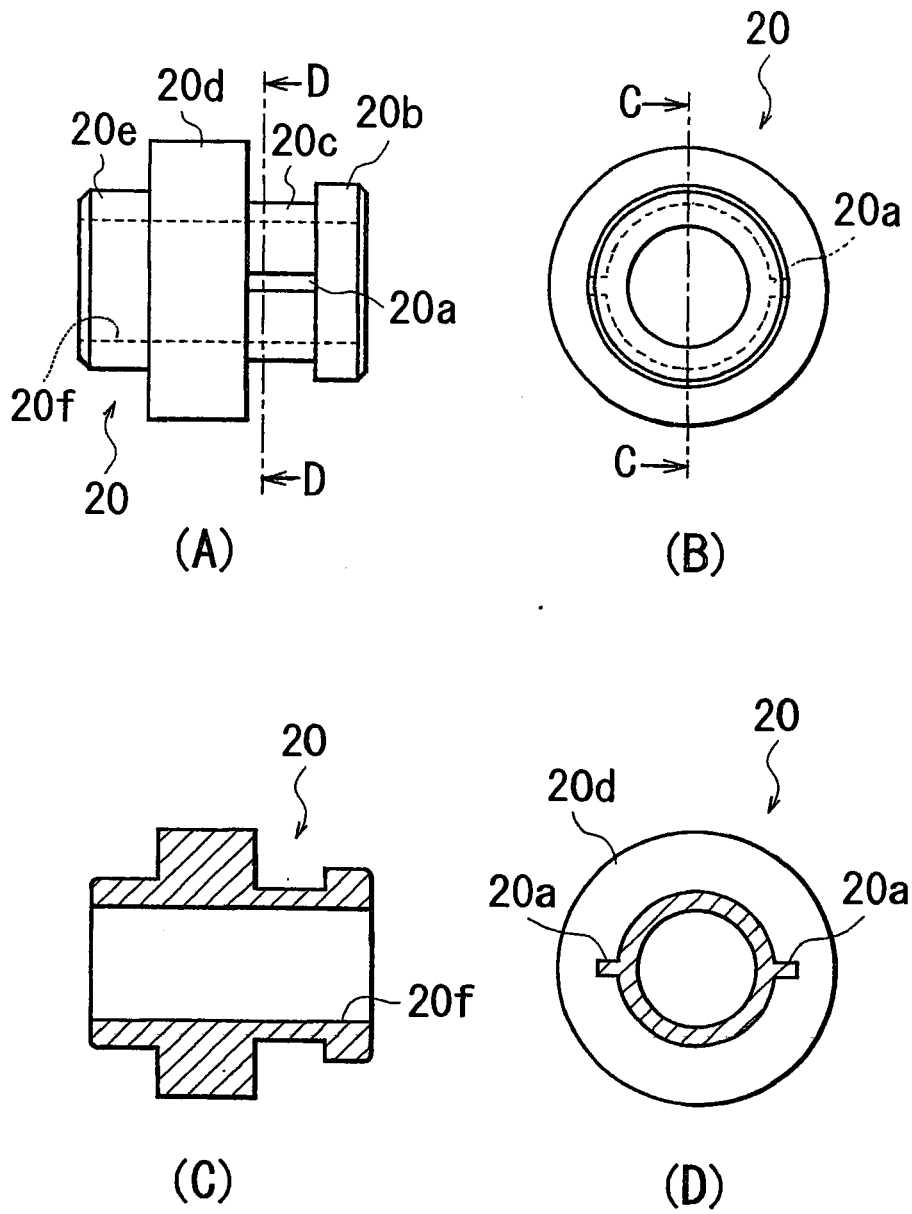


FIG. 27

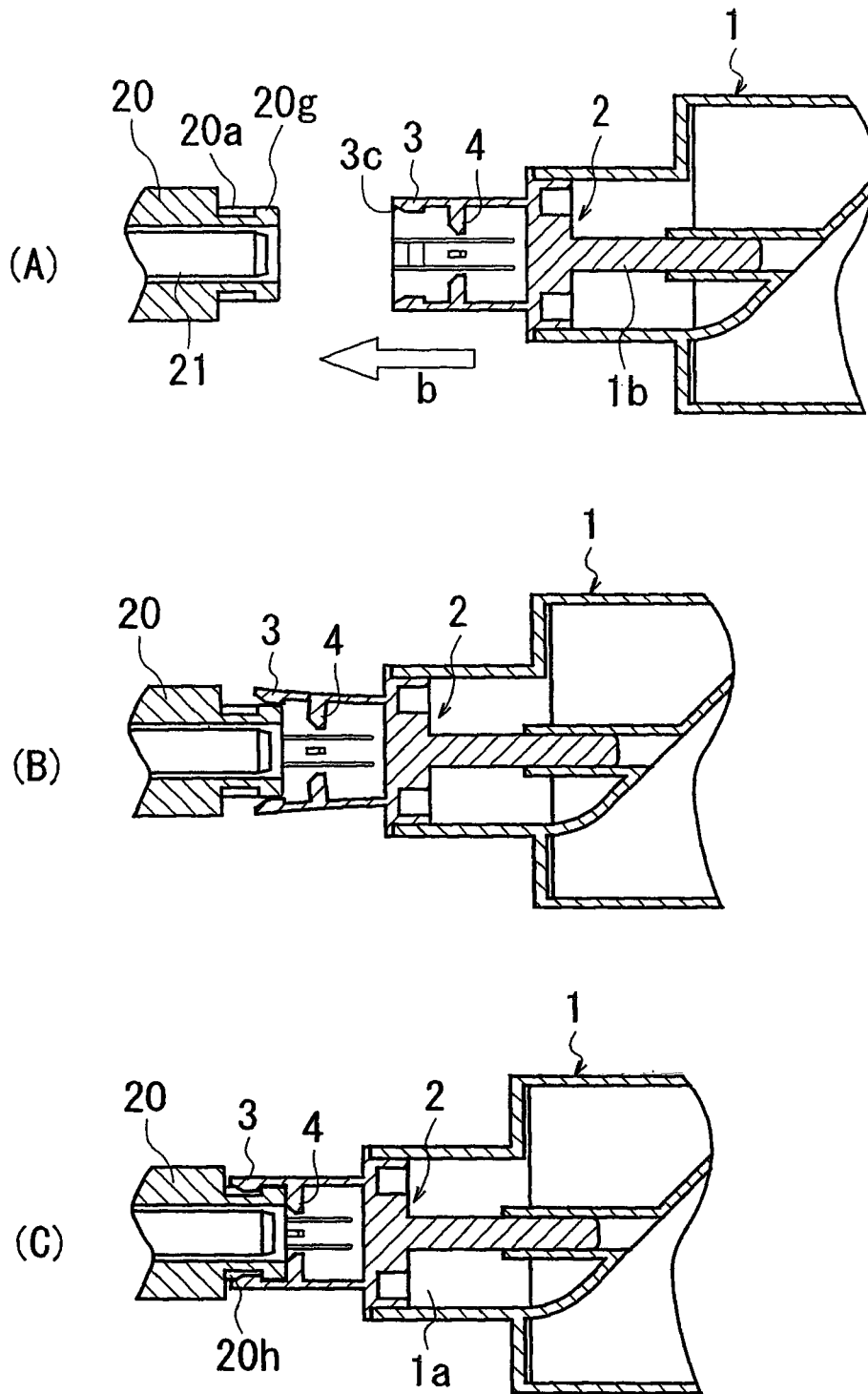


FIG. 28

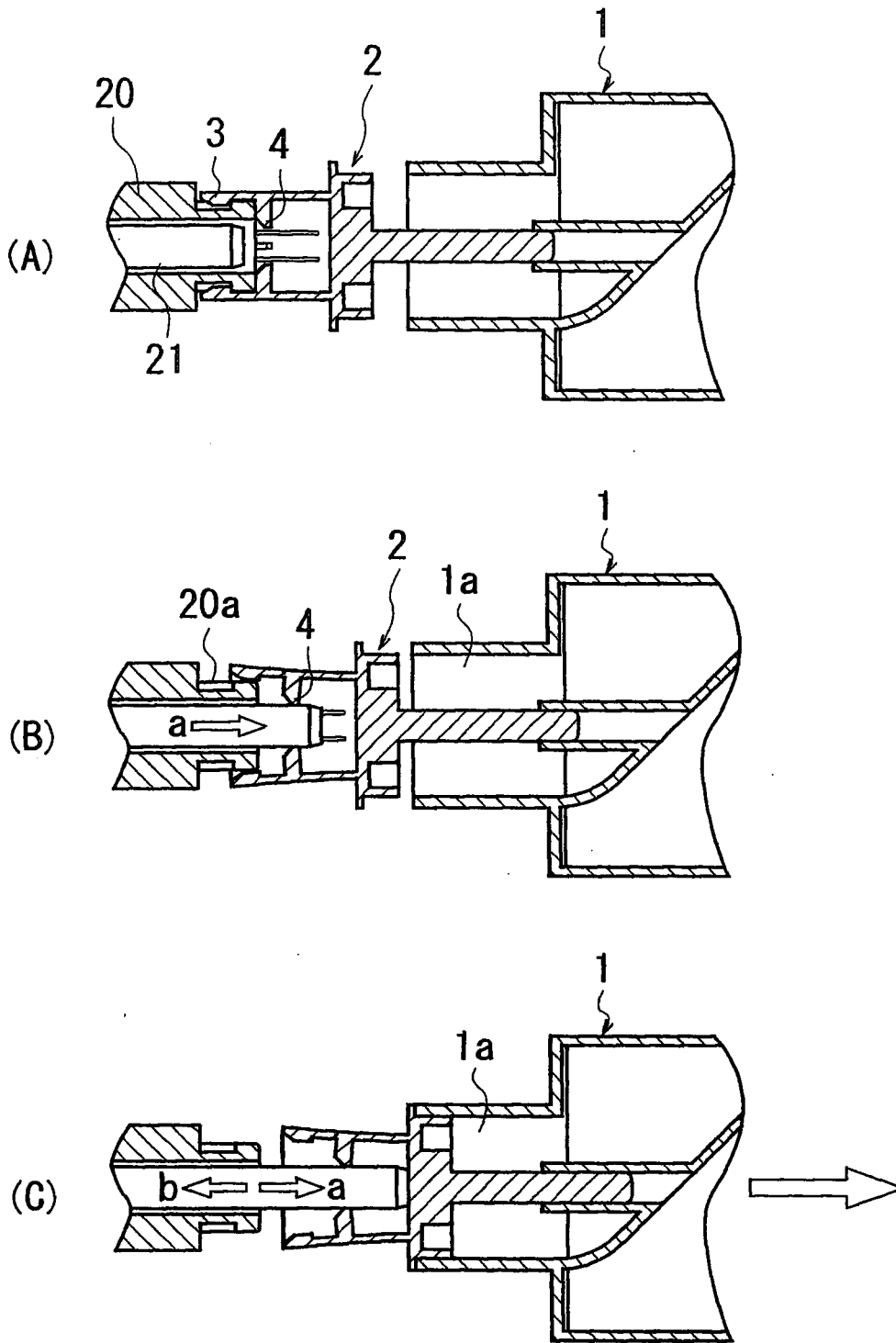
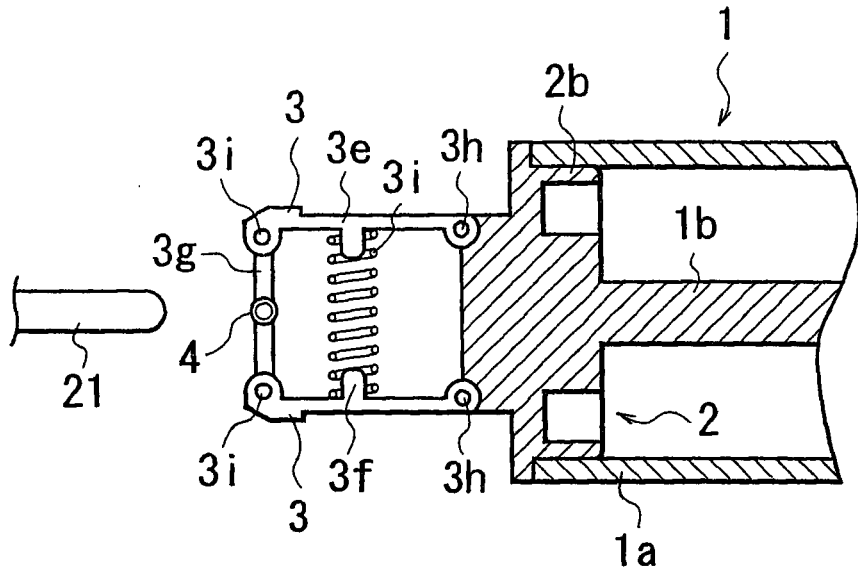
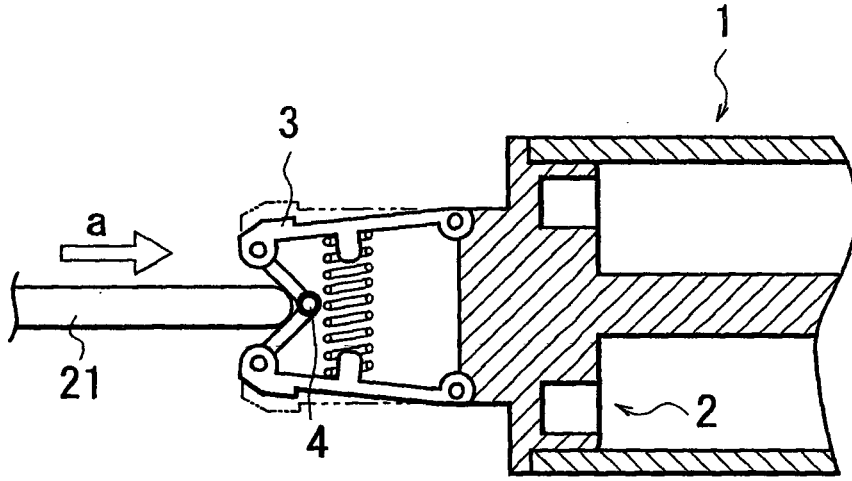


FIG. 29



(A)



(B)

FIG. 30

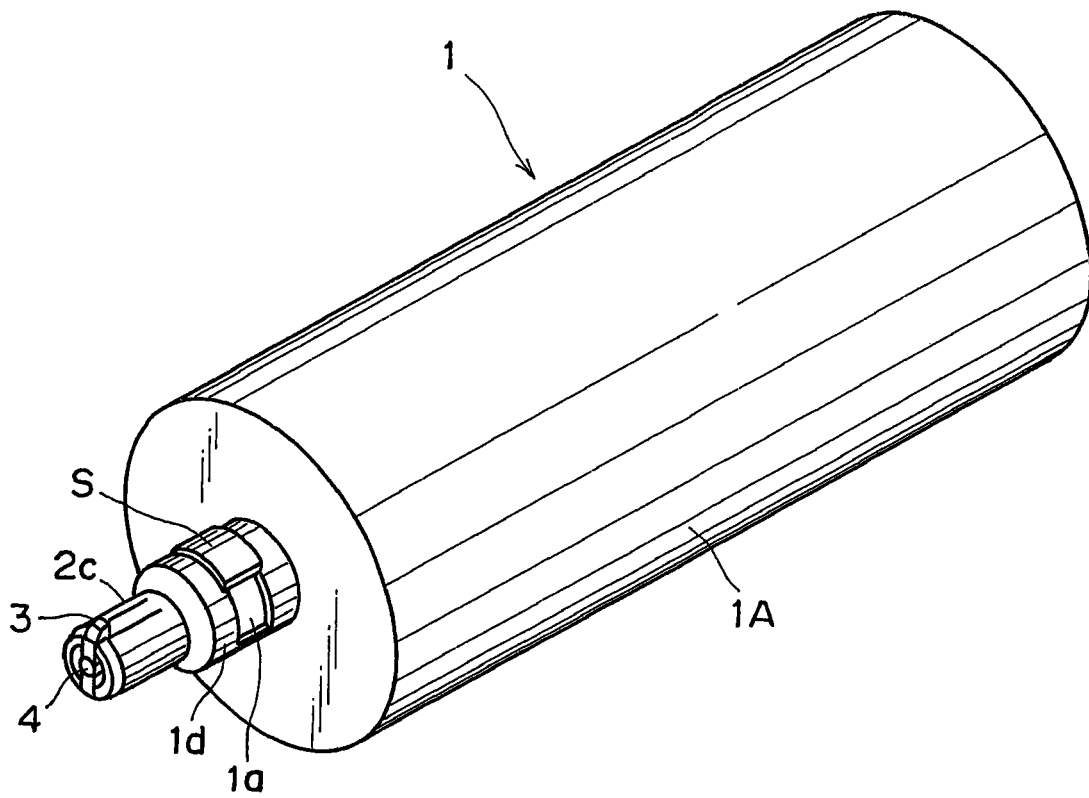


FIG. 31

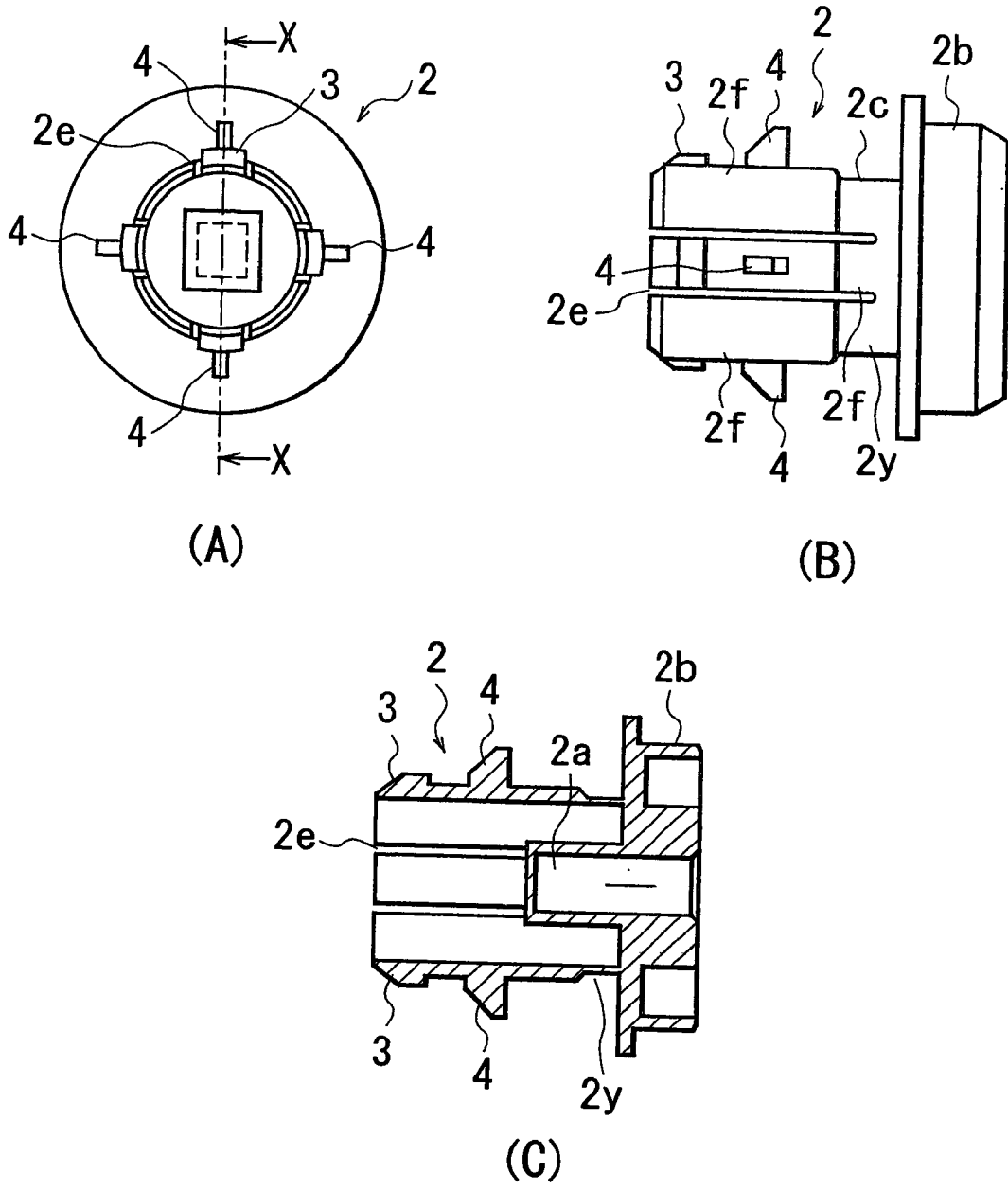


FIG. 32

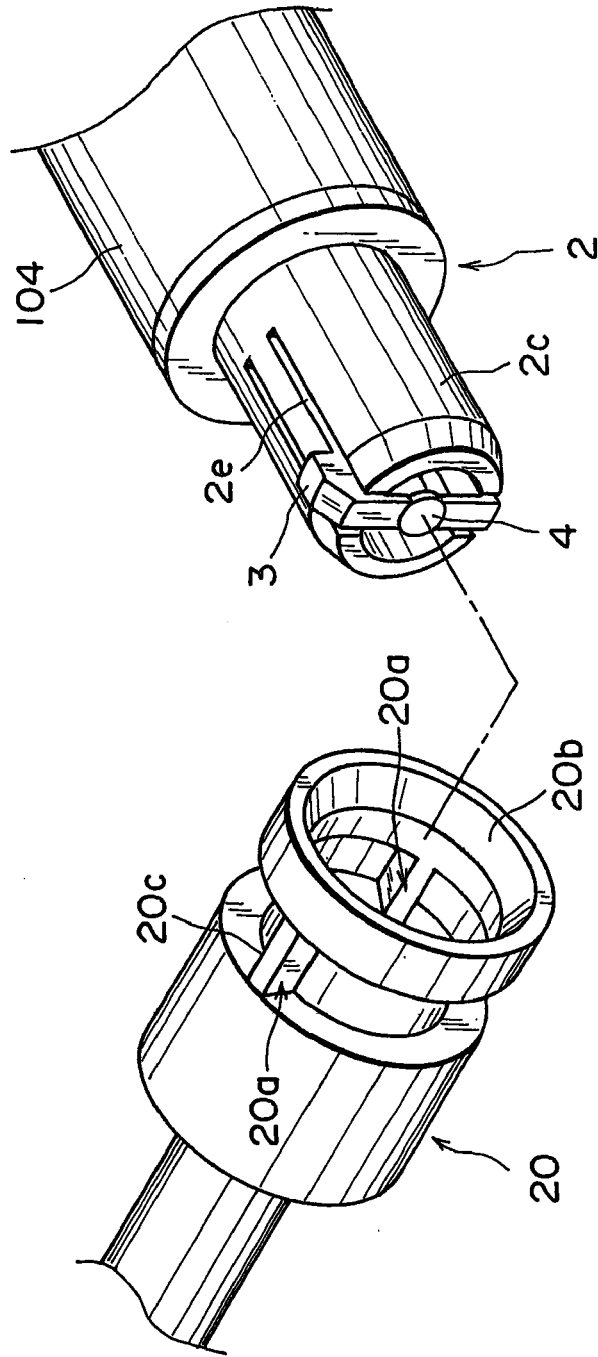


FIG. 33