

(19) World Intellectual Property
Organization
International Bureau



(43) International Publication Date
17 November 2005 (17.11.2005)

PCT

(10) International Publication Number
WO 2005/108910 A3

(51) International Patent Classification⁷: G01B 5/14

(21) International Application Number:
PCT/US2005/010794

(22) International Filing Date: 30 March 2005 (30.03.2005)

(25) Filing Language: English

(26) Publication Language: English

(30) Priority Data:
10/832,696 27 April 2004 (27.04.2004) US

(71) Applicant (for all designated States except US): EBM-PAPST, INC. [US/US]; 110 Hyde Road, Farmington, CT 06034 (US).

(72) Inventors; and

(75) Inventors/Applicants (for US only): PENNA, Christopher, P. [US/US]; 77 Colony Street, Hamden, CT 06518 (US). WATSON, Dale, A. [US/US]; 688 Trout Brook Drive, West Hartford, CT 06119-2224 (US).

(74) Agent: MACKAS, Daniel, G.; McCormick Paulding & Huber LLP, CityPlace II, 185 Asylum Street, Hartford, CT 06103-3402 (US).

(81) Designated States (unless otherwise indicated, for every kind of national protection available): AE, AG, AL, AM, AT, AU, AZ, BA, BB, BG, BR, BW, BY, BZ, CA, CH, CN, CO, CR, CU, CZ, DE, DK, DM, DZ, EC, EE, EG, ES, FI, GB, GD, GE, GH, GM, HR, HU, ID, IL, IN, IS, JP, KE, KG, KP, KR, KZ, LC, LK, LR, LS, LT, LU, LV, MA, MD, MG, MK, MN, MW, MX, MZ, NA, NI, NO, NZ, OM, PG, PH, PL, PT, RO, RU, SC, SD, SE, SG, SK, SL, SM, SY, TJ, TM, TN, TR, TT, TZ, UA, UG, US, UZ, VC, VN, YU, ZA, ZM, ZW.

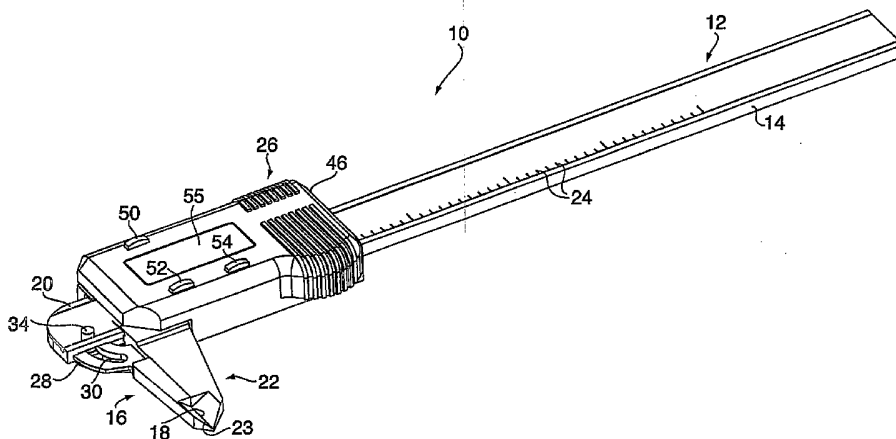
(84) Designated States (unless otherwise indicated, for every kind of regional protection available): ARIPO (BW, GH, GM, KE, LS, MW, MZ, NA, SD, SL, SZ, TZ, UG, ZM, ZW), Eurasian (AM, AZ, BY, KG, KZ, MD, RU, TJ, TM), European (AT, BE, BG, CH, CY, CZ, DE, DK, EE, ES, FI, FR, GB, GR, HU, IE, IS, IT, LT, LU, MC, NL, PL, PT, RO, SE, SI, SK, TR), OAPI (BF, BJ, CF, CG, CI, CM, GA, GN, GQ, GW, ML, MR, NE, SN, TD, TG).

Published:
— with international search report

(88) Date of publication of the international search report:
29 December 2005

[Continued on next page]

(54) Title: SLIDE CALIPERS



(57) Abstract: A slide caliper (10, 110, 210) includes an elongated shaft (12, 112, 212) defining a gaging surface (14, 114, 214) for abutting against a first surface of an object to be measured. A first jaw (16, 116, 216) is coupled to the shaft and defines a gaging surface (18, 118, 218) for abutting against a second surface of the object. A second jaw (22, 122, 222) is slidably coupled to the shaft and defines a gaging surface (23, 123, 223) for abutting against a third surface or edge of the object. The second jaw along the shaft is adjustable between a first position where the gaging surfaces of the jaws generally abut each other to a second position where the gaging surfaces of the jaws are maximally spaced from each other. At least one of the jaws is adjustably pivotable relative to the shaft about a pivot axis (138, 153) coinciding with an intersection of the gaging surface of the shaft and another axis (40, 140, 161) extending along the associated gaging surface of the pivotable jaw.

WO 2005/108910 A3



For two-letter codes and other abbreviations, refer to the "Guidance Notes on Codes and Abbreviations" appearing at the beginning of each regular issue of the PCT Gazette.

INTERNATIONAL SEARCH REPORT

International application No.

PCT/US05/10794

A. CLASSIFICATION OF SUBJECT MATTER IPC(7) : G01B 5/14 US CL : 33/784 According to International Patent Classification (IPC) or to both national classification and IPC		
B. FIELDS SEARCHED Minimum documentation searched (classification system followed by classification symbols) U.S. : 33/784,783,791,792,793,794,795,797,803,807 Documentation searched other than minimum documentation to the extent that such documents are included in the fields searched NONE Electronic data base consulted during the international search (name of data base and, where practicable, search terms used) NONE		
C. DOCUMENTS CONSIDERED TO BE RELEVANT		
Category *	Citation of document, with indication, where appropriate, of the relevant passages	Relevant to claim No.
X	US 735,935 A (BILLINGS) 11 August 1903 (11.08.1903), see entire document.	1,2,5,7,8,11-13,18,23
---		-----
Y		9,10,14-17,20-22
X	US 2,812,582 A (ACHBACH) 12 November 1957 (12.11.1957), see entire document.	1,3,5,6,8,9,11,12
Y	US 6,279,248 B1 (WALTERS) 28 August 2001 (28.08.2001), see entire document.	9,10,14-17
Y	US 1,039,901 A (CONSTANTINESCU) 01 October 1912 (01.10.1912), see entire document.	20-22
<input type="checkbox"/> Further documents are listed in the continuation of Box C. <input type="checkbox"/> See patent family annex.		
* Special categories of cited documents:		
"A"	document defining the general state of the art which is not considered to be of particular relevance	"T" later document published after the international filing date or priority date and not in conflict with the application but cited to understand the principle or theory underlying the invention
"E"	earlier application or patent published on or after the international filing date	"X" document of particular relevance; the claimed invention cannot be considered novel or cannot be considered to involve an inventive step when the document is taken alone
"L"	document which may throw doubts on priority claim(s) or which is cited to establish the publication date of another citation or other special reason (as specified)	"Y" document of particular relevance; the claimed invention cannot be considered to involve an inventive step when the document is combined with one or more other such documents, such combination being obvious to a person skilled in the art
"O"	document referring to an oral disclosure, use, exhibition or other means	
"P"	document published prior to the international filing date but later than the priority date claimed	"&" document member of the same patent family
Date of the actual completion of the international search 12 September 2005 (12.09.2005)		Date of mailing of the international search report 12 OCT 2005
Name and mailing address of the ISA/US Mail Stop PCT, Attn: ISA/US Commissioner for Patents P.O. Box 1450 Alexandria, Virginia 22313-1450 Facsimile No. (703) 305-3230		Authorized officer JOSE DEES <i>Sharon S. Hoffe</i> Telephone No. 571-272-1569