



US00D753111S

(12) **United States Design Patent**
Fei et al.

(10) **Patent No.:** **US D753,111 S**

(45) **Date of Patent:** **** Apr. 5, 2016**

(54) **HEADSET**

(71) Applicant: **USENS, INC.**, San Jose, CA (US)

(72) Inventors: **Yue Fei**, San Jose, CA (US); **Anli He**,
San Jose, CA (US); **Lian Zhu**, Zhejiang
(CN); **Zhichuan Qian**, Zhejiang (CN)

(73) Assignee: **USENS, INC.**, San Jose, CA (US)

(**) Term: **14 Years**

(21) Appl. No.: **29/519,127**

(22) Filed: **Mar. 2, 2015**

(51) **LOC (10) Cl.** **14-02**

(52) **U.S. Cl.**
USPC **D14/372**

(58) **Field of Classification Search**
USPC D14/372, 496, 432, 371, 125, 126, 129,
D14/299; D16/300-342; 351/158, 153, 144;
345/7-9, 905; 455/344; 348/115, 53,
348/121, 739
CPC G02B 27/017; G02B 27/0158; G02B
27/0161; G02B 27/0181; G02B 27/0185;
G02B 27/0189
See application file for complete search history.

(56) **References Cited**

U.S. PATENT DOCUMENTS

D719,953 S * 12/2014 Nokuo D14/372
D732,028 S * 6/2015 Kim D14/372

D739,855 S * 9/2015 Bosveld D14/372
D740,810 S * 10/2015 Bosveld D14/372
D740,811 S * 10/2015 Bosveld D14/372
D740,814 S * 10/2015 Bosveld D14/372
D740,815 S * 10/2015 Bosveld D14/372
D741,323 S * 10/2015 Bosveld D14/372
D741,324 S * 10/2015 Bosveld D14/372
D741,325 S * 10/2015 Bosveld D14/372
D741,327 S * 10/2015 Reznik D14/372
D741,858 S * 10/2015 Bosveld D14/372
D741,860 S * 10/2015 Bosveld D14/372

* cited by examiner

Primary Examiner — Austin Murphy

(74) *Attorney, Agent, or Firm* — Finnegan, Henderson,
Farabow, Garrett & Dunner, LLP

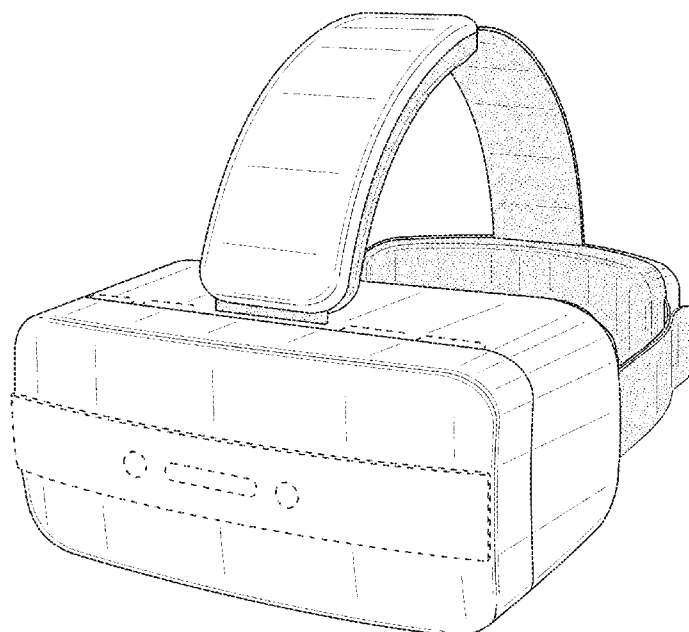
(57) **CLAIM**

The ornamental design for a headset, as shown and described.

DESCRIPTION

FIG. 1 is a front, top, right perspective view of a headset, showing our new design;
FIG. 2 is rear, bottom, left perspective view thereof;
FIG. 3 is rear, top, left perspective view thereof;
FIG. 4 is a front elevation view thereof;
FIG. 5 is a rear elevation view thereof;
FIG. 6 is a right side view thereof;
FIG. 7 is a left side view thereof;
FIG. 8 is a top plan view thereof; and,
FIG. 9 is a bottom plan view thereof.
The broken lines shown in the drawings illustrate portions of the headset that form no part of the claimed design.

1 Claim, 9 Drawing Sheets



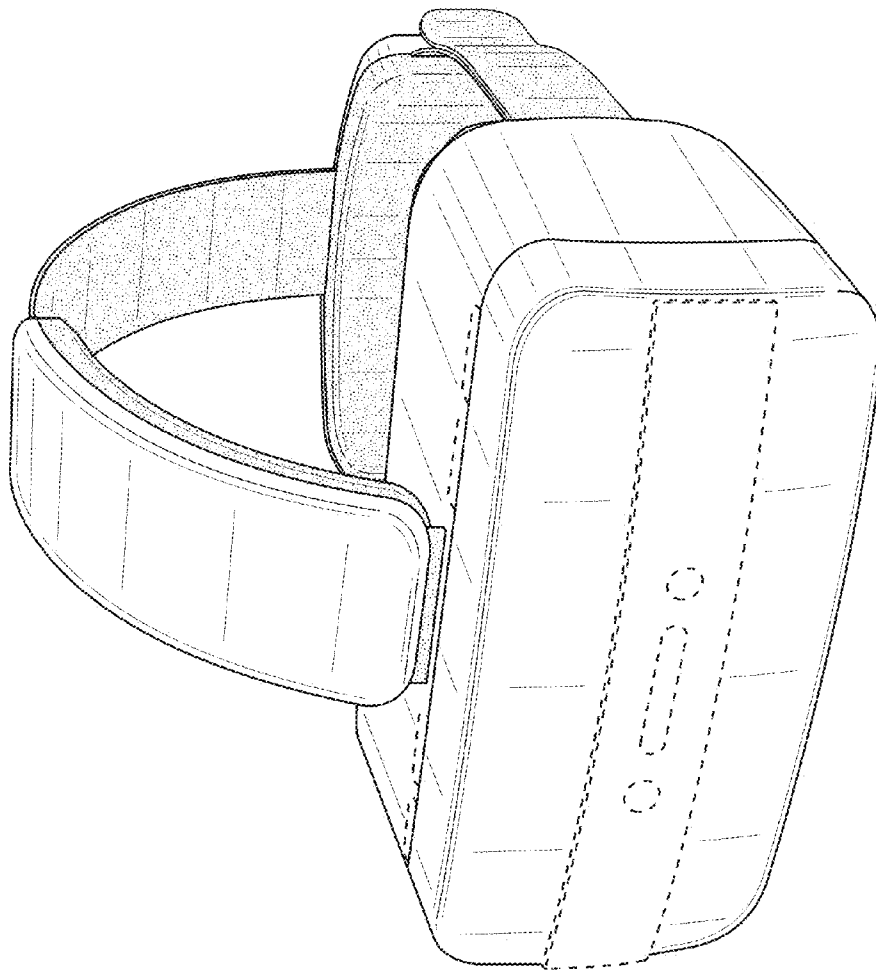


FIG. 1

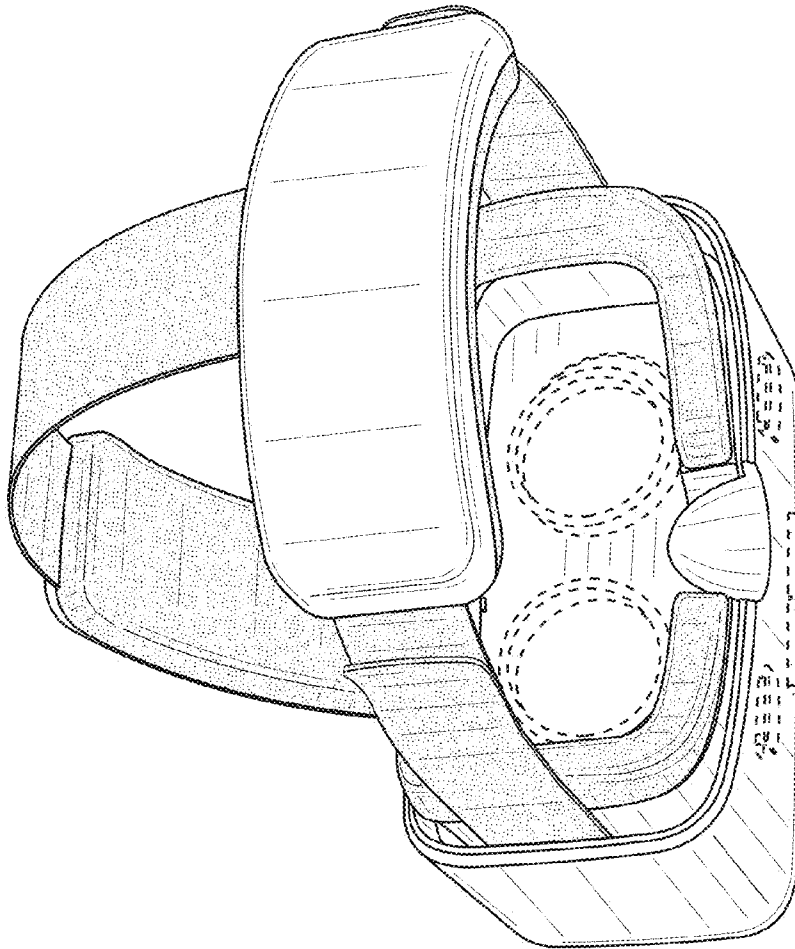


FIG. 2

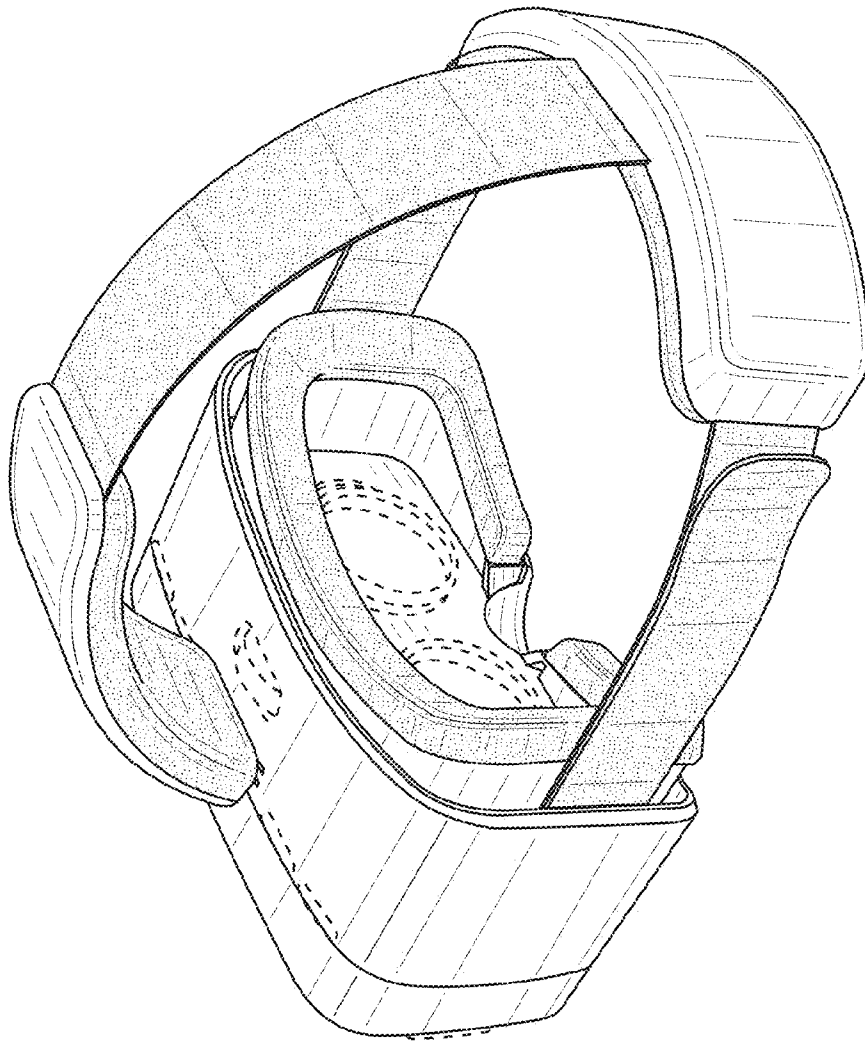


FIG. 3

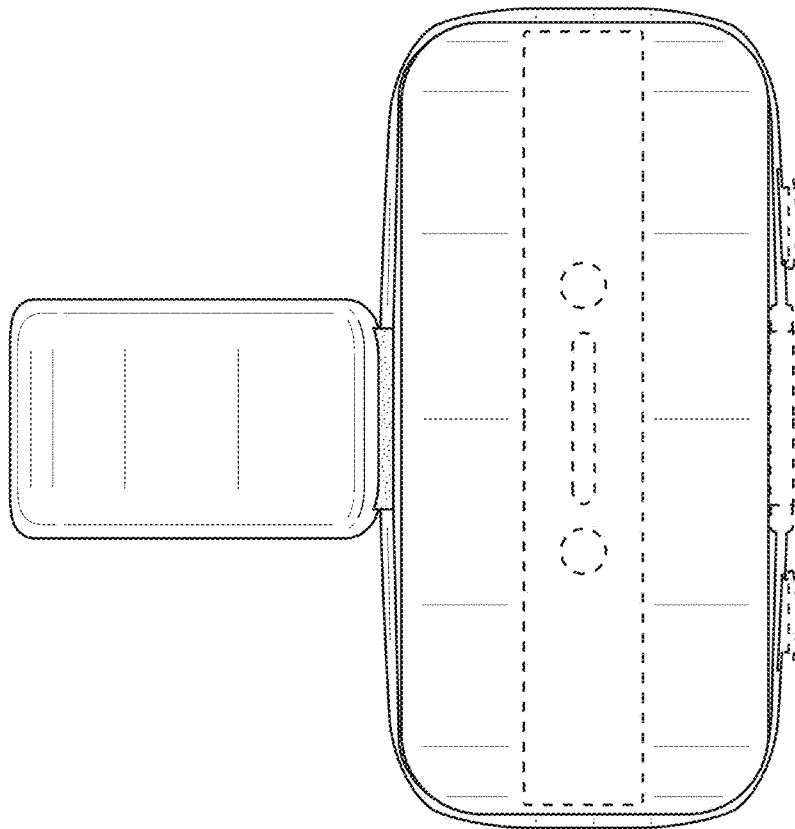


FIG. 4

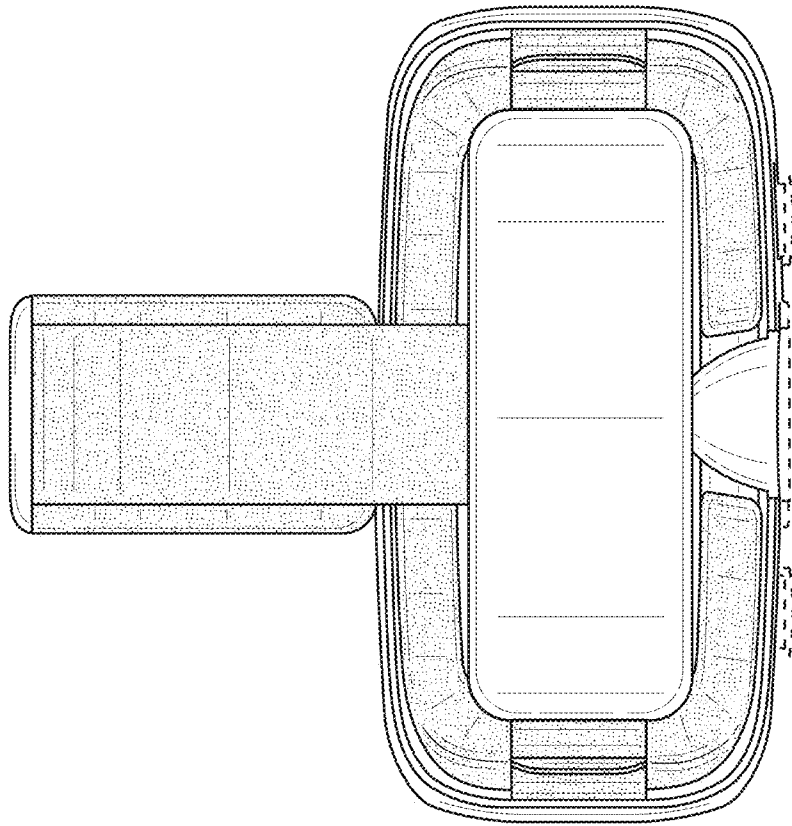


FIG. 5

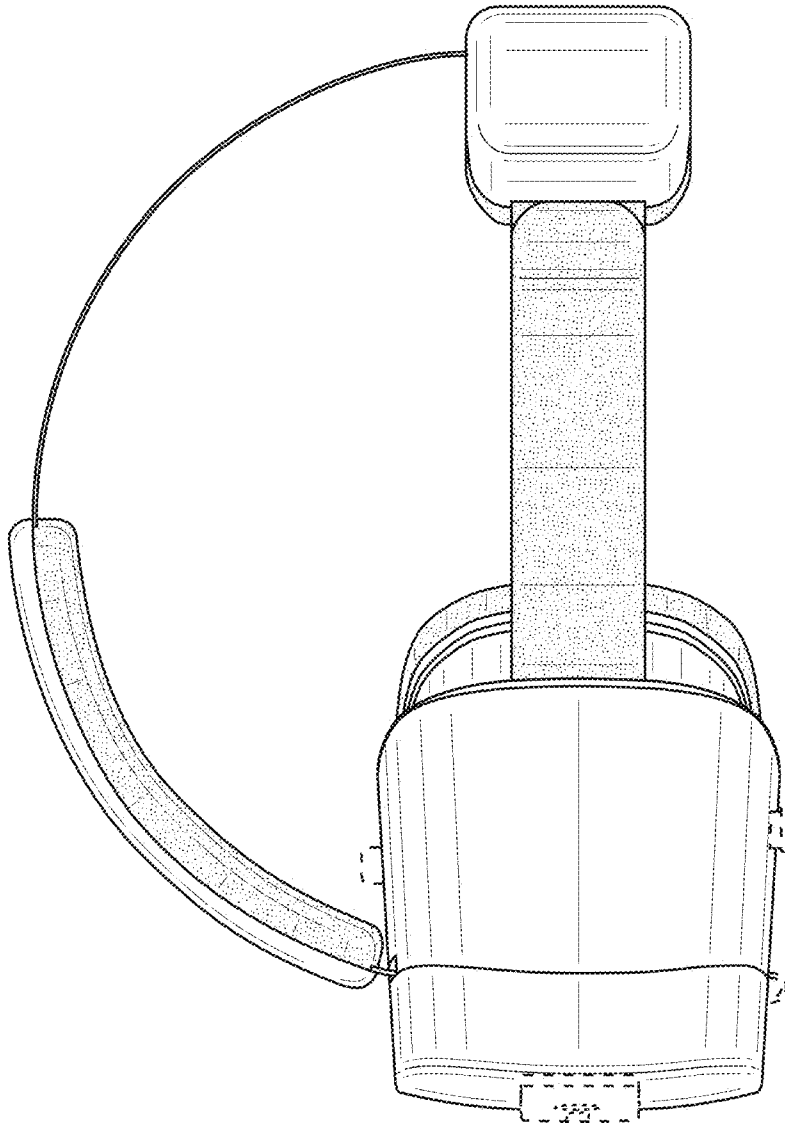


FIG. 6

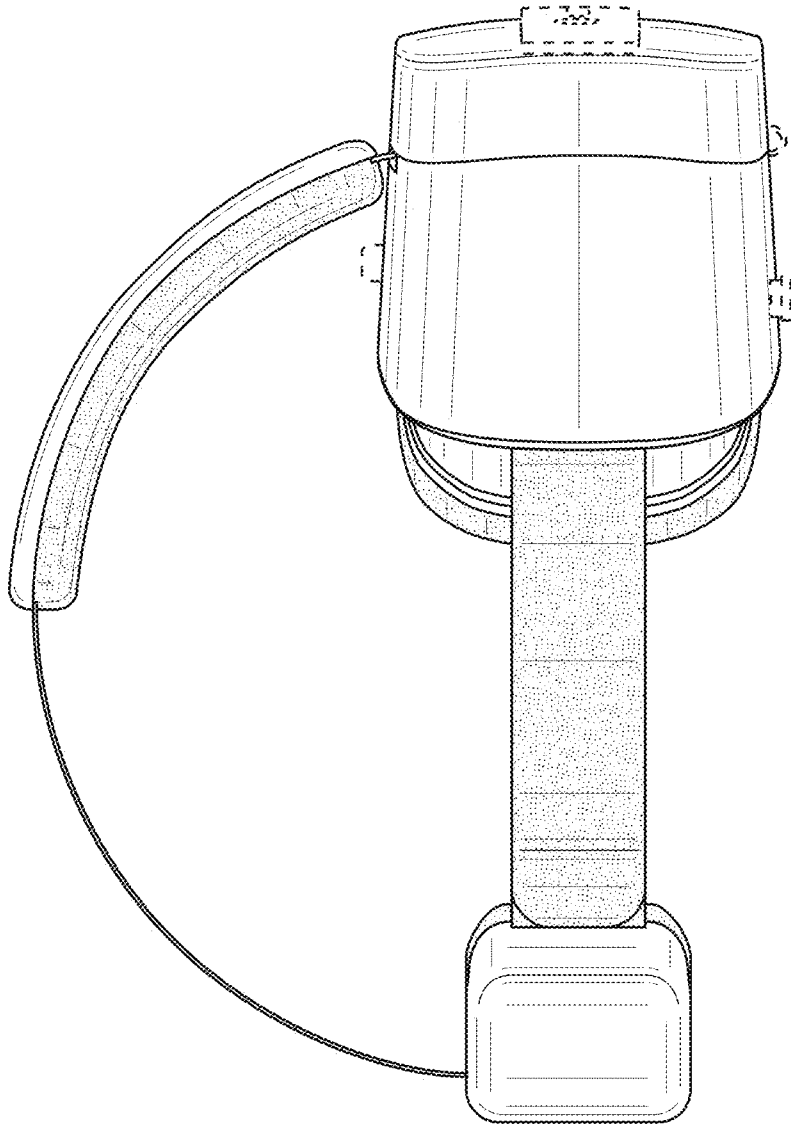


FIG. 7

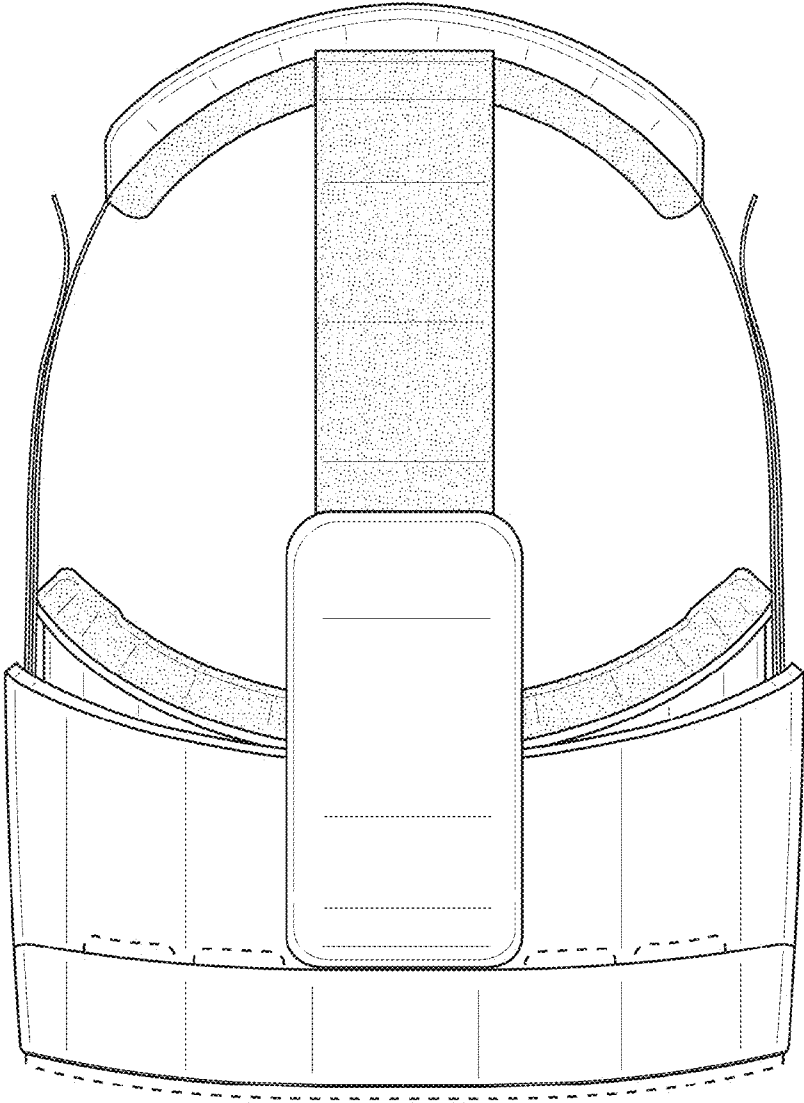


FIG. 8

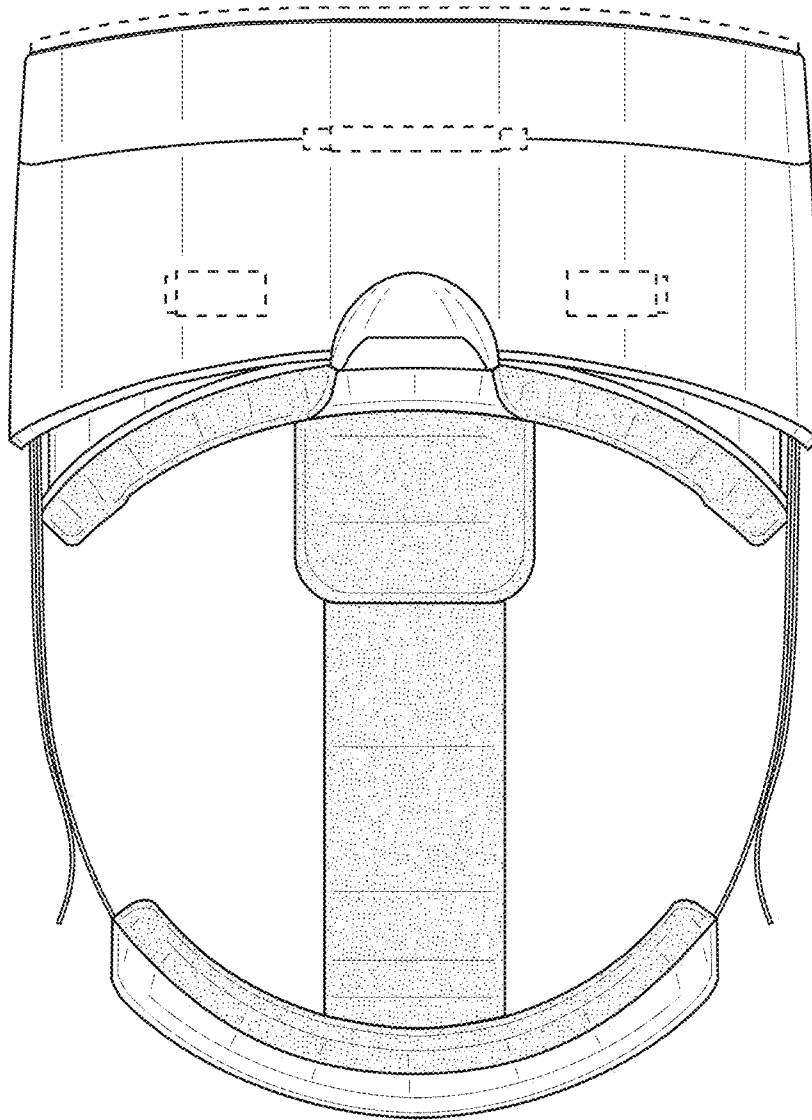


FIG. 9