

# United States Patent [19]

Cugley

[11] Patent Number: Des. 296,397

[45] Date of Patent: \*\* Jun. 28, 1988

[54] DISPLAY BIN

[75] Inventor: Derwyn Cugley, Brea, Calif.

[73] Assignee: VSI Fasteners, Inc., Stanton, Calif.

[\*\*] Term: 14 Years

[21] Appl. No.: 773,323

[22] Filed: Sep. 6, 1985

[52] U.S. Cl. .... D6/476

[58] Field of Search ..... D6/475, 476; 211/13,  
211/126; D34/46

[56] **References Cited**

**U.S. PATENT DOCUMENTS**

D. 67,868 7/1925 Boros ..... D6/476  
D. 103,719 3/1937 Flanagan ..... D6/476 X

D. 131,198 1/1942 Limpert et al. .... D6/476  
D. 140,246 2/1945 Wemyss ..... D6/476  
D. 223,163 3/1972 Gray ..... D6/475  
D. 268,728 4/1983 Poling ..... D34/46 X

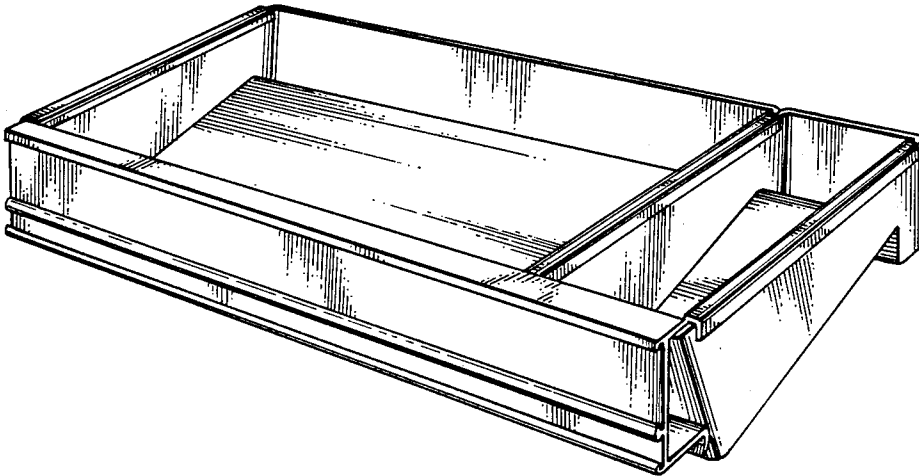
*Primary Examiner*—Carmen H. Vales  
*Attorney, Agent, or Firm*—Frederick Gotha

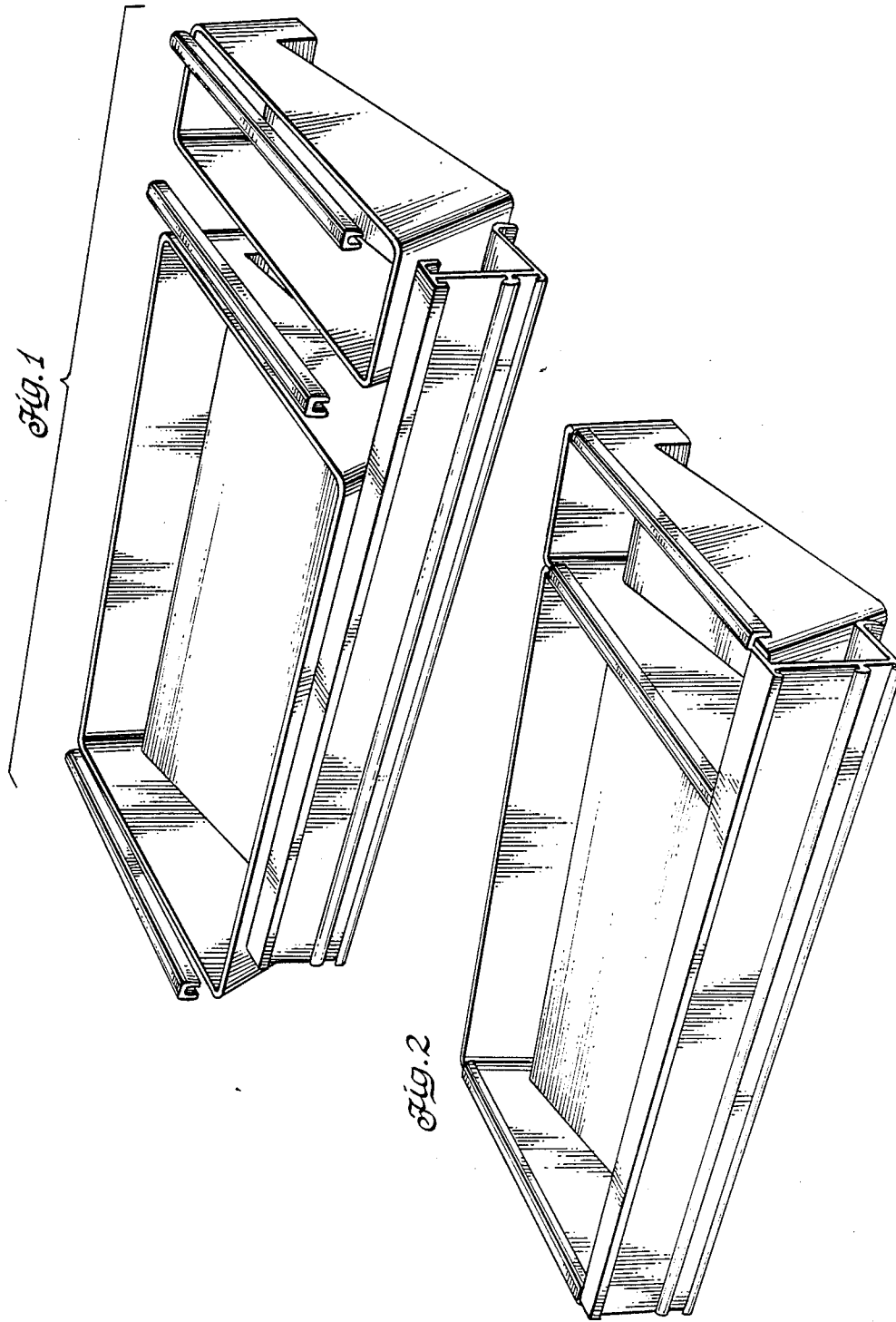
[57] **CLAIM**

The ornamental design for a display bin, substantially as shown and described.

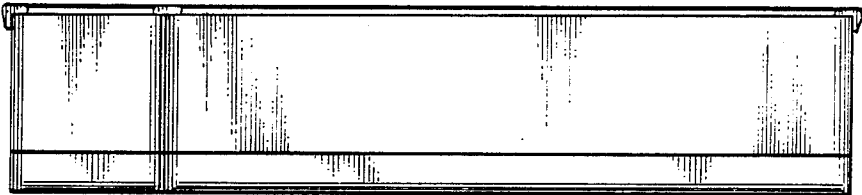
**DESCRIPTION**

FIG. 1 is an exploded perspective view of a display bin showing my new design;  
FIG. 2 is a perspective view thereof;  
FIG. 3 is a rear elevational view thereof; and  
FIG. 4 is a left side elevational view thereof.





*Fig. 3*



*Fig. 4*

