



US00D413456S

United States Patent [19]

[11] Patent Number: Des. 413,456

Huang et al.

[45] Date of Patent: ** Sep. 7, 1999

[54] SHOES SUPPORT STAND

D. 329,549 9/1992 Begley et al. D6/412

[76] Inventors: **Tso Chi Huang; Yu Chi Huang**, both of No. 47, Her Pin Lane, Lu Gang Town, Chang Hua Hsien, Taiwan

Primary Examiner—Doris V. Coles
Assistant Examiner—Linda Brooks

[**] Term: **14 Years**

[57] **CLAIM**

The ornamental design for a shoes support stand, as shown and described.

[21] Appl. No.: **29/092,960**

DESCRIPTION

[22] Filed: **Aug. 31, 1998**

[51] **LOC (6) Cl.** **06-04**

FIG. 1 is a perspective view of a shoes support a stand showing my new design;

[52] **U.S. Cl.** **D6/412**

FIG. 2 is a front elevational view thereof;

[58] **Field of Search** D6/411, 412, 450,

FIG. 3 is a rear elevational view thereof;

D6/455, 457-465; 211/1, 13.1, 85.3, 34, 37, 181.1; 248/127, 146, 153, 175, 176.1

FIG. 4 is a top plan view thereof;

FIG. 5 is a bottom plan view thereof, with features shown in broken lines for illustrative purposes only and forming no part of the claimed design;

[56] **References Cited**

FIG. 6 is a left side elevational view thereof; and,

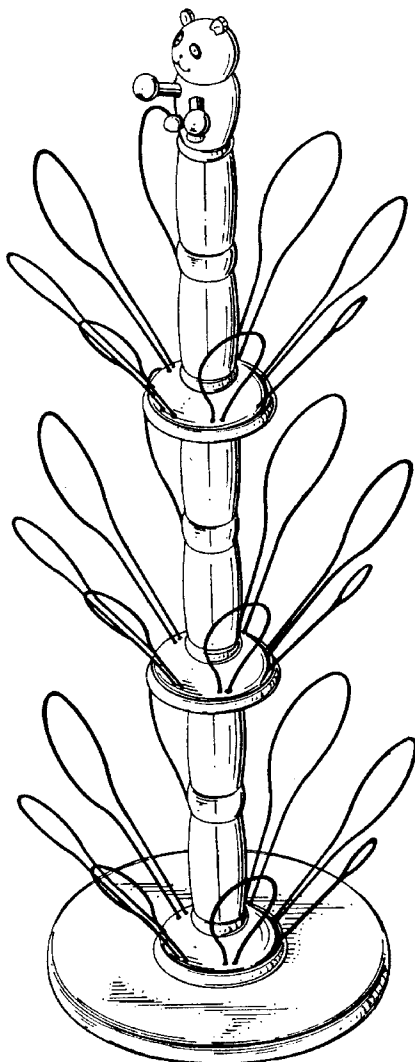
FIG. 7 is a right side elevational view thereof.

U.S. PATENT DOCUMENTS

D. 151,220 10/1948 Crain D6/412

D. 276,765 12/1984 Denhoff D6/458

1 Claim, 4 Drawing Sheets



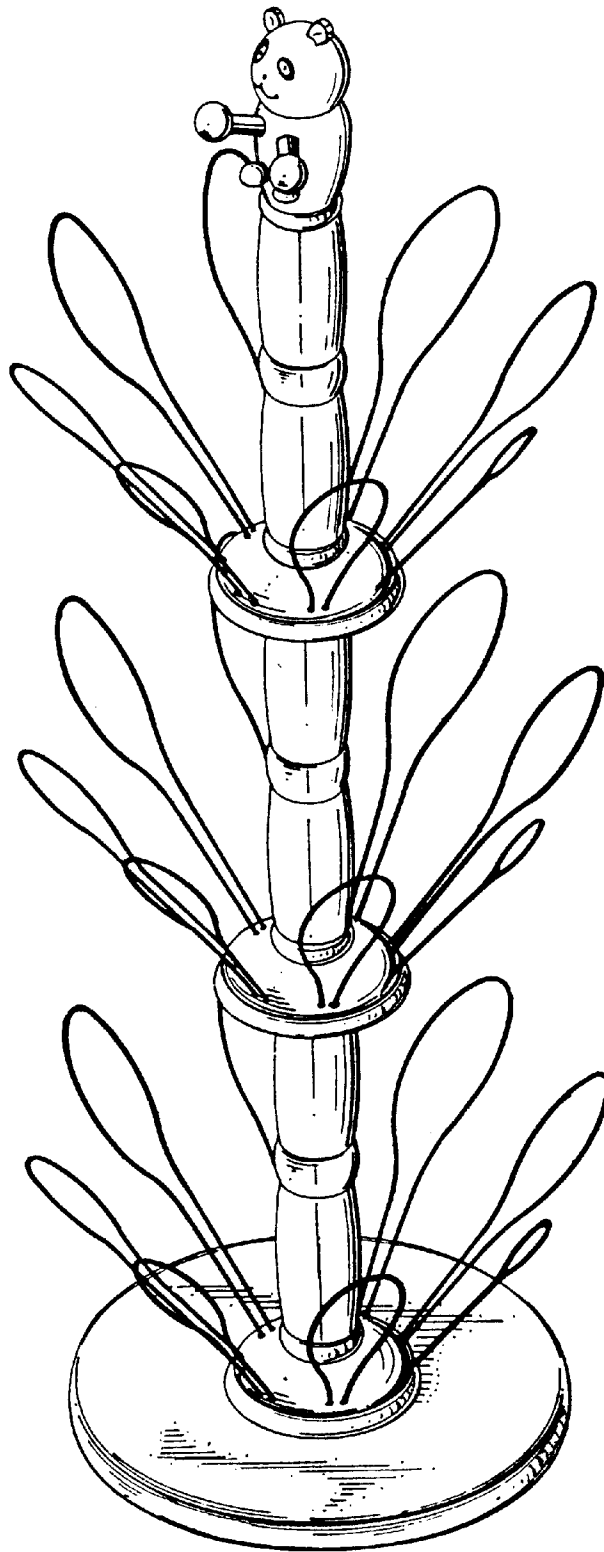


FIG. 1

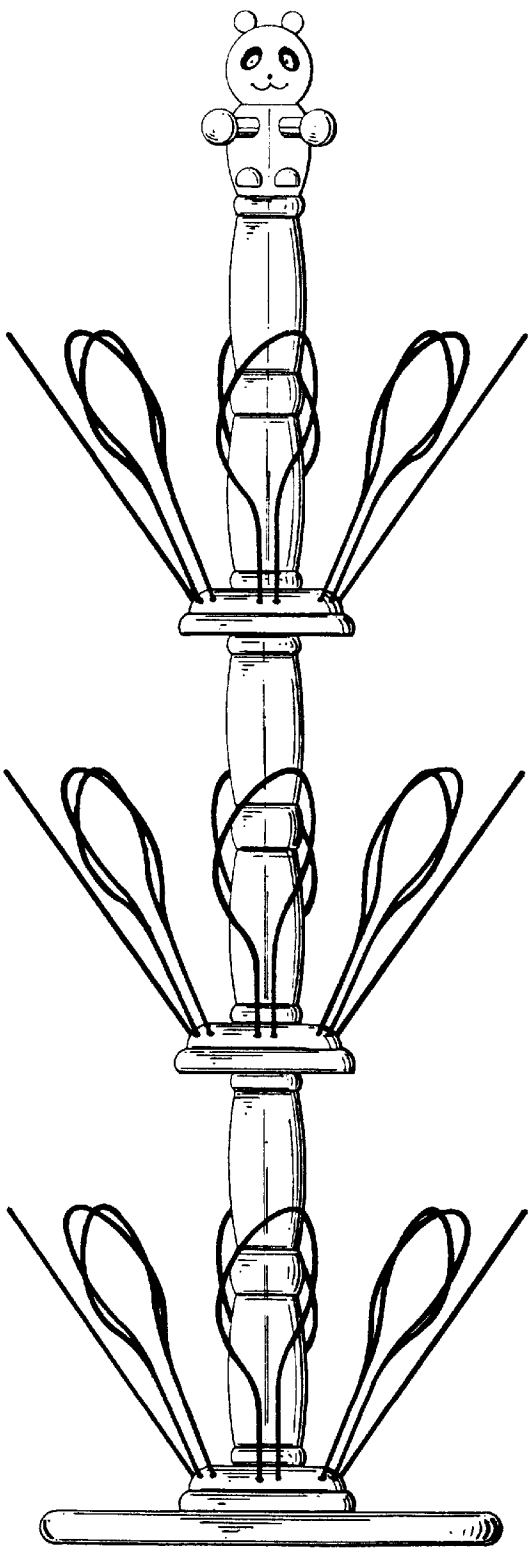


FIG. 2

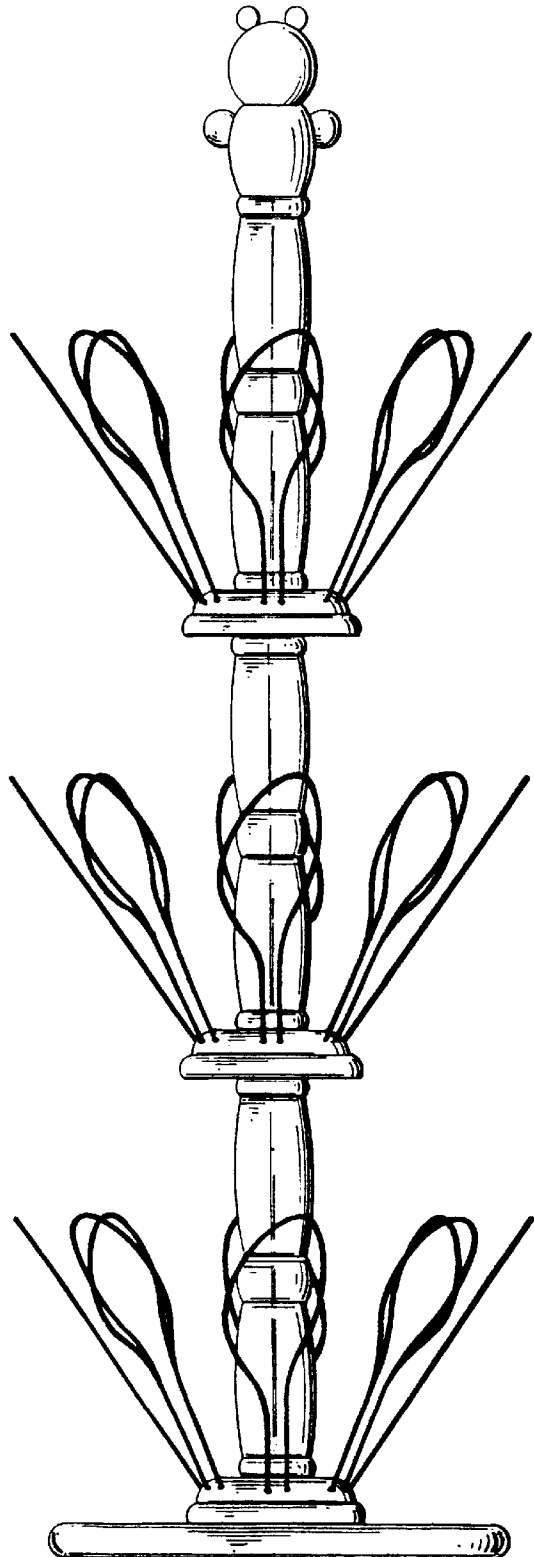


FIG. 3

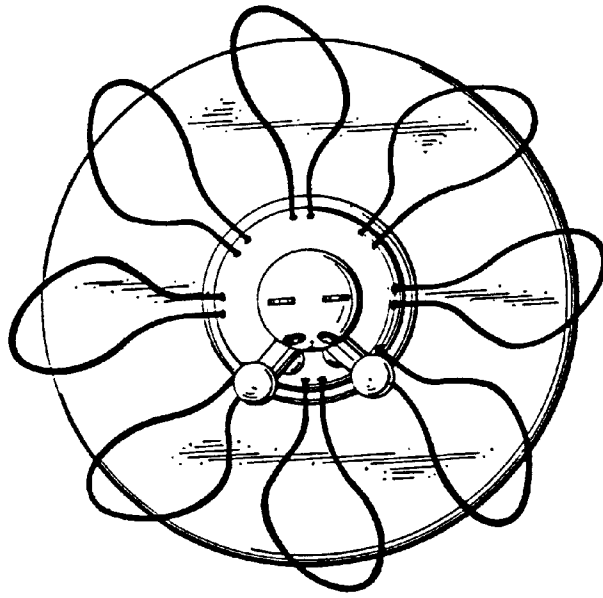


FIG. 4

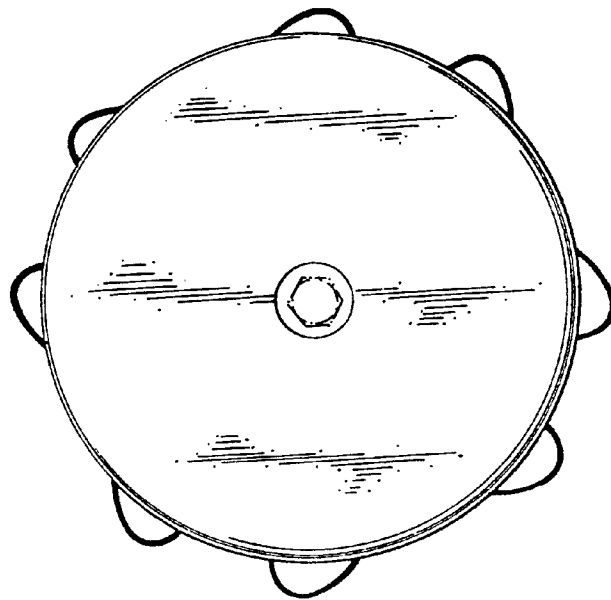


FIG. 5

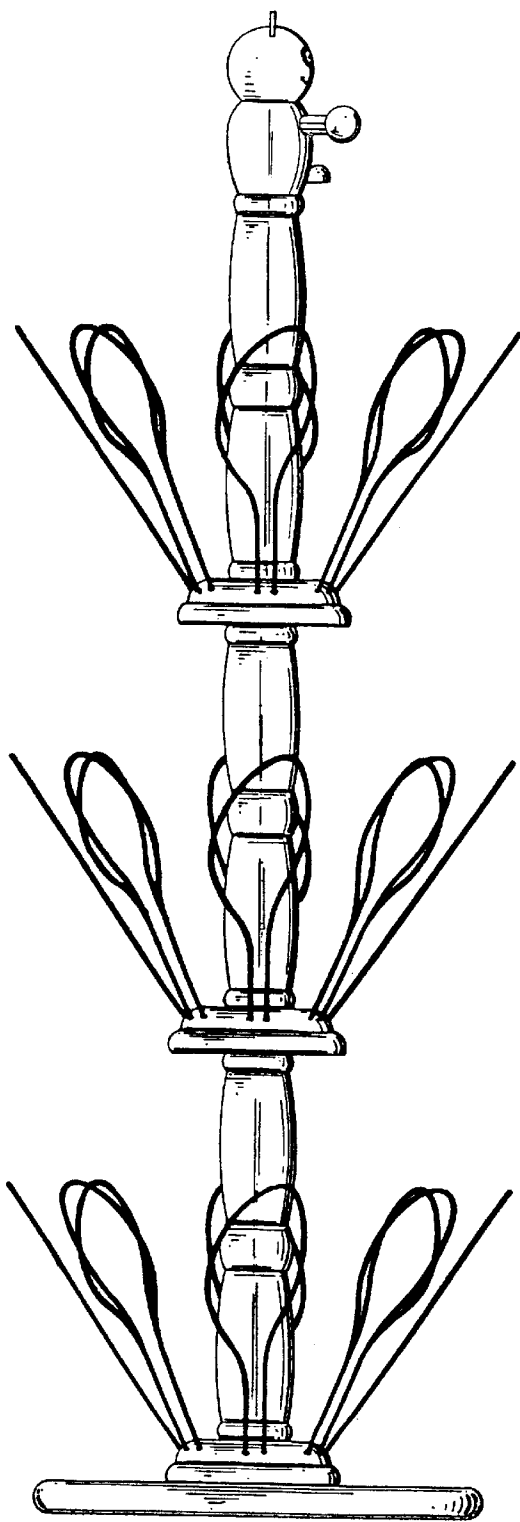


FIG. 6

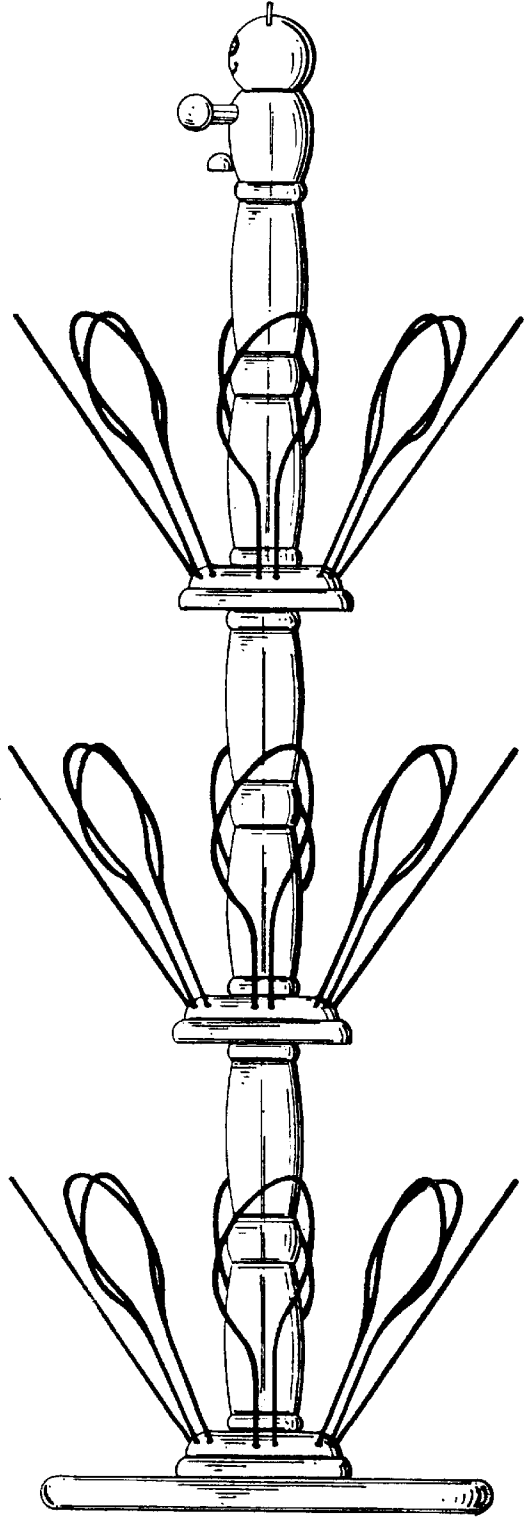


FIG. 7