



US00D734628S

(12) **United States Design Patent**  
**Wang**

(10) **Patent No.:** **US D734,628 S**

(45) **Date of Patent:** **\*\* Jul. 21, 2015**

(54) **SHOE STACKER**

(71) Applicant: **Wen-Tsan Wang**, Taipei (TW)

(72) Inventor: **Wen-Tsan Wang**, Taipei (TW)

(\*\*) Term: **14 Years**

(21) Appl. No.: **29/451,488**

(22) Filed: **Apr. 3, 2013**

(51) **LOC (10) Cl.** ..... **06-06**

(52) **U.S. Cl.**  
USPC ..... **D6/675.5**

(58) **Field of Classification Search**  
USPC ..... D6/329, 407, 449, 514, 552, 672,  
D6/675.5; D7/402, 409, 600.1; D12/404,  
D12/407, 412, 414; D13/155; D21/392;  
D23/266; D25/1, 62; D32/55; 211/34;  
297/452.63

CPC ..... A47B 87/02; A47B 87/0215; A47B  
87/0223; A47B 61/04; A47F 7/0014; A47F  
7/08

See application file for complete search history.

(56) **References Cited**

**U.S. PATENT DOCUMENTS**

3,762,573	A	*	10/1973	Collins et al.	211/34
D292,900	S	*	11/1987	Blackburn et al.	D12/407
D322,724	S	*	12/1991	Stravitz	D6/407
D356,163	S	*	3/1995	Ryan	D25/1
D367,843	S	*	3/1996	Tayar	D12/412
D370,717	S	*	6/1996	Ziaylek et al.	D23/266
D401,424	S	*	11/1998	Ogo et al.	D6/329
D528,965	S	*	9/2006	Wang	D12/406
D532,653	S	*	11/2006	Molayem	D7/409
D553,072	S	*	10/2007	Smith	D12/414
D658,939	S	*	5/2012	Adams et al.	D7/402
D670,404	S	*	11/2012	Fisette	D25/62
D680,381	S	*	4/2013	Tsai	D7/600.1
8,414,080	B2	*	4/2013	Wang	297/452.63
D690,965	S	*	10/2013	Goodman et al.	D6/675.5

D692,838	S	*	11/2013	Winn	D13/155
D693,081	S	*	11/2013	Yang et al.	D32/55
D704,474	S	*	5/2014	Klein et al.	D6/552
D705,556	S	*	5/2014	Udagawa et al.	D6/349
D707,978	S	*	7/2014	Ruiz et al.	D6/514
D714,877	S	*	10/2014	Kneitel	D21/392
D717,230	S	*	11/2014	Fichter	D12/414
D723,295	S	*	3/2015	Ruiz et al.	D6/514
D723,309	S	*	3/2015	Goodman et al.	D6/675.5
2004/0035806	A1	*	2/2004	Klein et al.	211/34

\* cited by examiner

*Primary Examiner* — Sheryl Lane

*Assistant Examiner* — Catherine Posthauer

(74) *Attorney, Agent, or Firm* — Leong C. Lei

(57) **CLAIM**

The ornamental design for a shoe stacker, as shown and described.

**DESCRIPTION**

FIG. 1 is a front perspective view of a shoe stacker showing my new design;

FIG. 2 is a front elevational view thereof;

FIG. 3 is a rear elevational view thereof;

FIG. 4 is a left elevational view thereof;

FIG. 5 is a right elevational view thereof;

FIG. 6 is a top plan view thereof;

FIG. 7 is a bottom plan view thereof;

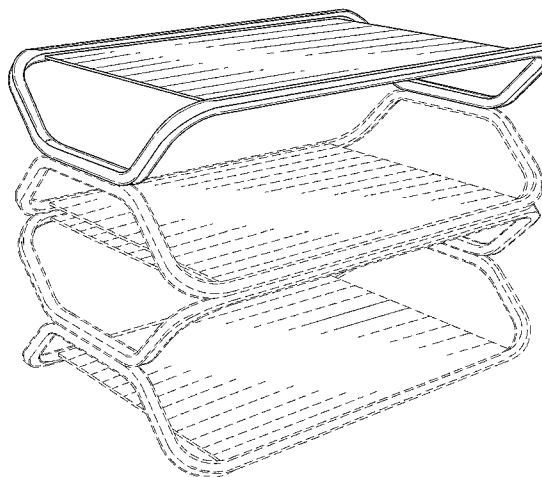
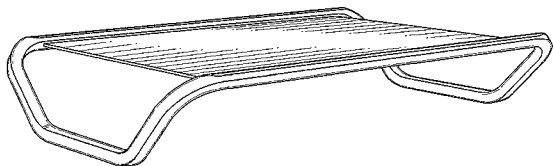
FIG. 8 is another perspective view thereof, showing the shoe stacker while in use, with another shoe stacker engaged;

FIG. 9 is another perspective view thereof, showing the shoe stacker while in use, with two other shoe stackers engaged; and,

FIG. 10 is another perspective view thereof, showing the shoe stacker while not in use, with three other shoe stackers stacked together.

The broken lines are shown for the purpose of illustrating environmental structure and form no part of the claimed design.

**1 Claim, 7 Drawing Sheets**



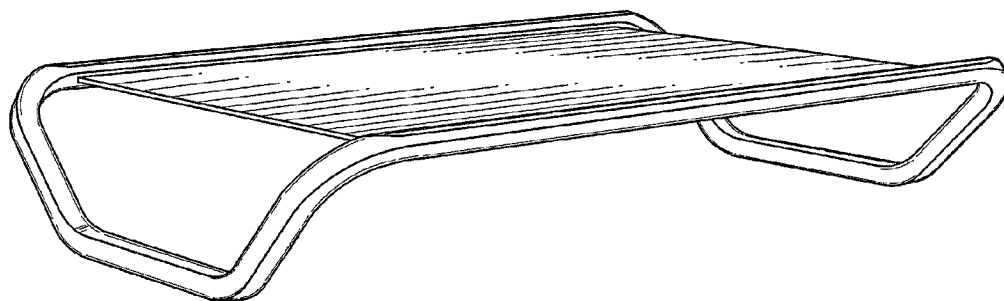


FIG. 1

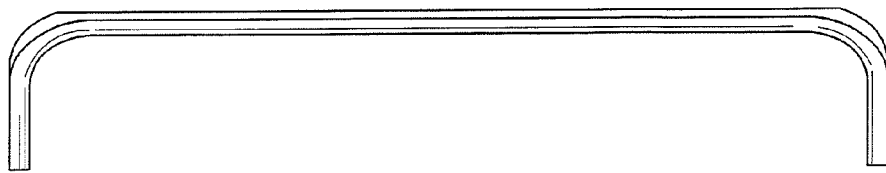


FIG. 2

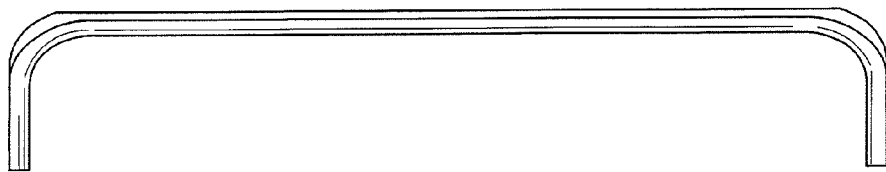


FIG. 3

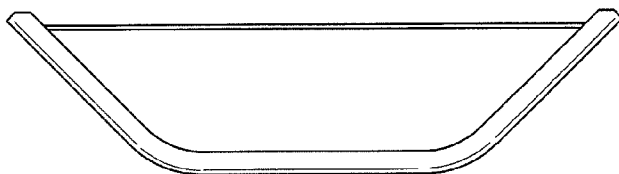


FIG. 4

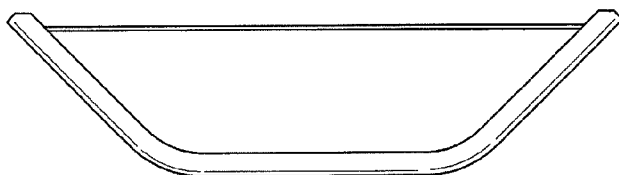


FIG. 5

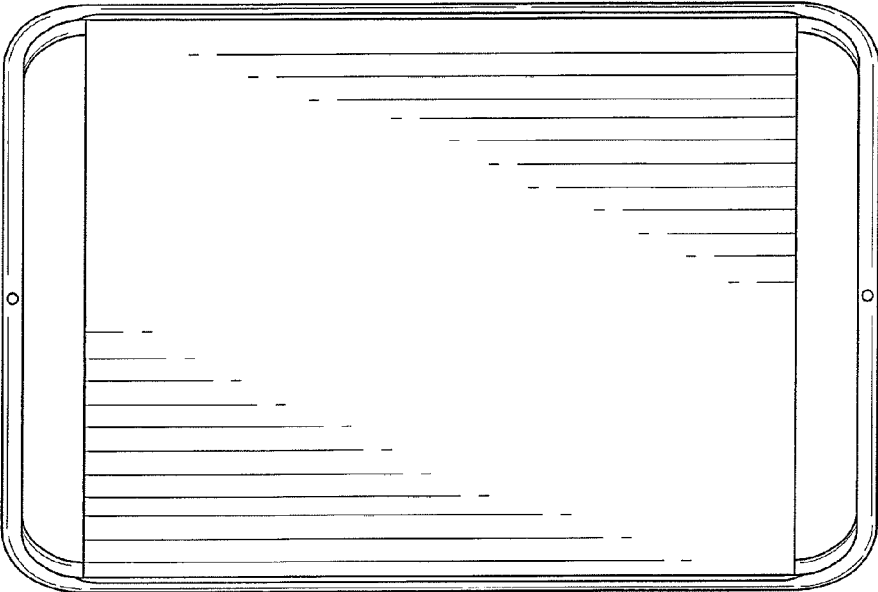


FIG. 6

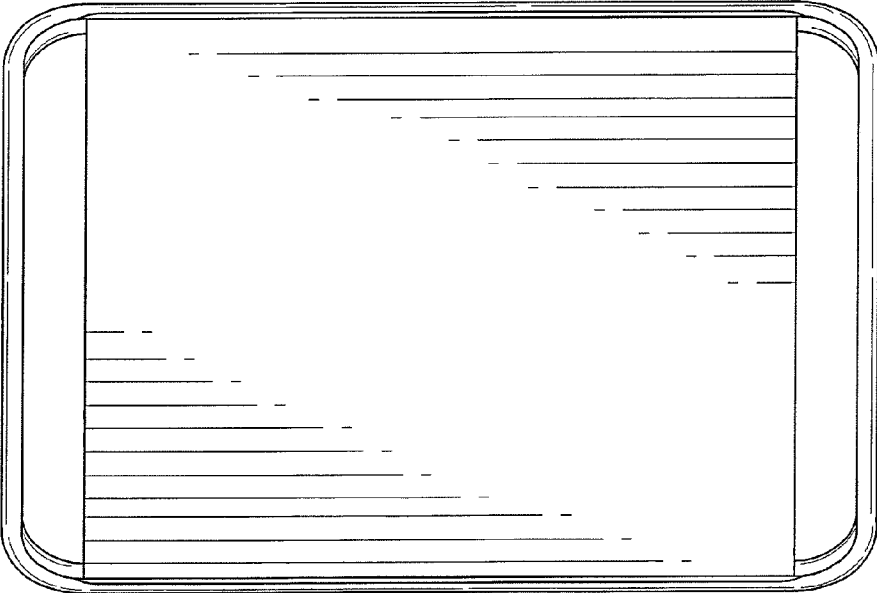


FIG. 7

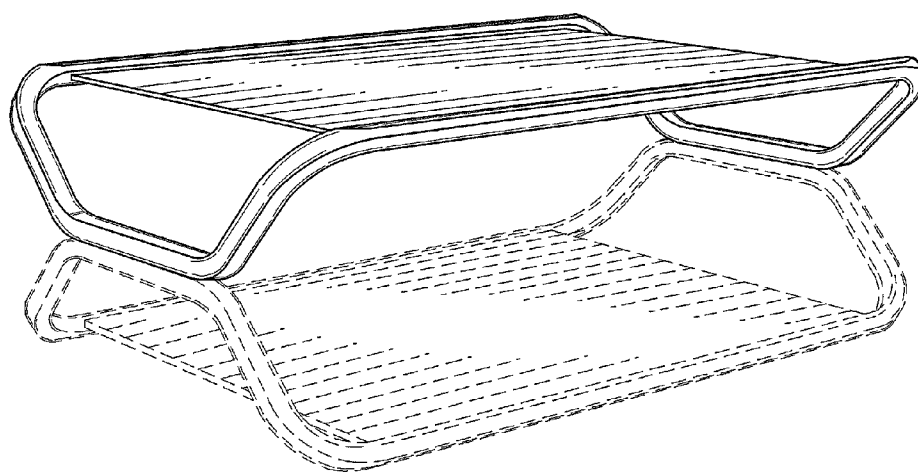


FIG. 8

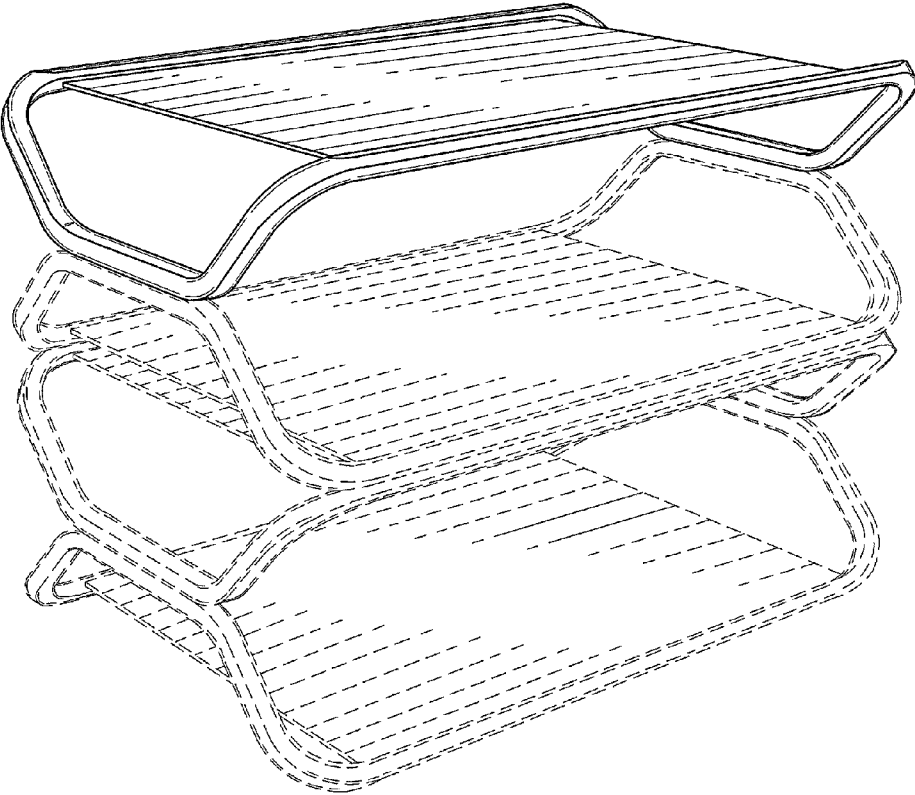


FIG.9

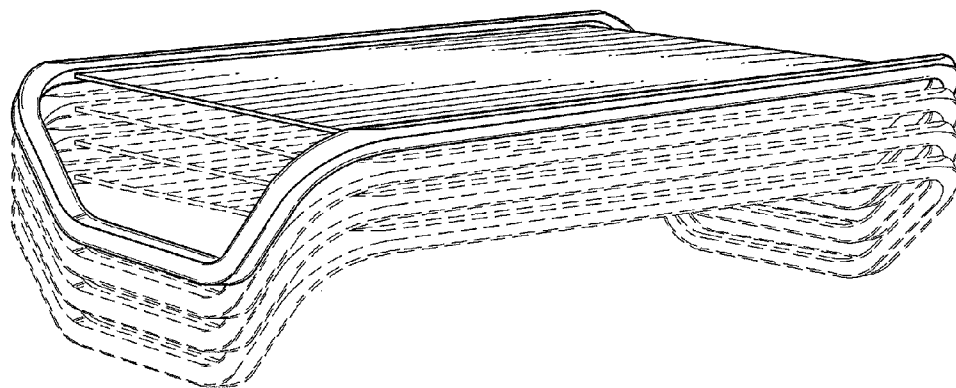


FIG. 10