

(19) World Intellectual Property Organization  
International Bureau



(43) International Publication Date  
28 February 2008 (28.02.2008)

PCT

(10) International Publication Number  
**WO 2008/024812 A3**

(51) International Patent Classification:

A61M 5/142 (2006.01) F04B 43/02 (2006.01)  
A61M 5/145 (2006.01) F04B 43/12 (2006.01)  
A61M 5/148 (2006.01)

(21) International Application Number:

PCT/US2007/076471

(22) International Filing Date: 22 August 2007 (22.08.2007)

(25) Filing Language: English

(26) Publication Language: English

(30) Priority Data:

60/839,832 23 August 2006 (23.08.2006) US

(71) Applicant (for all designated States except US):

MEDTRONIC MINIMED, INC. [US/US]; 18000  
Devonshire Street, Northridge, California 91325 (US).

(72) Inventors; and

(75) Inventors/Applicants (for US only): MOUNCE, R., Paul

[US/US]; 211 N. Beachwood Drive, Burbank, California  
91506 (US). HANSON, Ian, B. [US/US]; 11480 Ghiberti  
Way, Northridge, California 91326 (US). BENTE, Paul,  
F., IV [US/US]; 646 S. Barrington Avenue Apt. 207, Los  
Angeles, California 90049 (US). MOBERG, Sheldon, B.  
[US/US]; 1030 Chalet Circle, Thousand Oaks, California  
91362 (US). GUEZURAGA, Robert, M. [US/US]; 518  
Lakeview Canyon Road, Westlake Village, California  
91362 (US). ENEGREN, Bradley, J. [US/US]; 11253  
Bentcreek Road, Moorpark, California 93021 (US).  
KAVAZOV, Julian, D. [US/US]; 919 N. Santa Anita

Avenue, Arcadia, California 91006 (US). GRIFFIN,  
Christopher [US/US]; 14124 El Casco, Sylmar, Cali-  
fornia 91342 (US). MAULE, Susie, E. [US/US]; 832  
Magnolia Avenue #9, Pasadena, California 91106 (US).  
HOLT, Mark, D. [US/US]; 11607 Blossomwood Court,  
Moorpark, California 93021 (US). STUTZ, William, H.,  
Jr. [US/US]; 5261 College View Avenue, Eagle Rock,  
California 90041 (US).

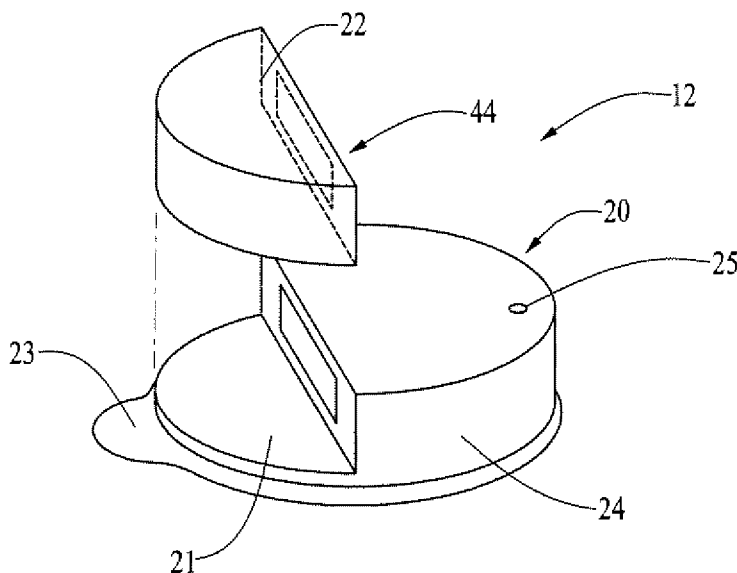
(74) Agent: RITTMASER, Ted, R.; Foley & Lardner LLP.,  
2029 Century Park East - Suite 3500, Los Angeles, CA  
90067-3021 (US).

(81) Designated States (unless otherwise indicated, for every  
kind of national protection available): AE, AG, AL, AM,  
AT, AU, AZ, BA, BB, BG, BH, BR, BW, BY, BZ, CA, CH,  
CN, CO, CR, CU, CZ, DE, DK, DM, DO, DZ, EC, EE, EG,  
ES, FI, GB, GD, GE, GH, GM, GT, HN, HR, HU, ID, IL,  
IN, IS, JP, KE, KG, KM, KN, KP, KR, KZ, LA, LC, LK,  
LR, LS, LT, LU, LY, MA, MD, ME, MG, MK, MN, MW,  
MX, MY, MZ, NA, NG, NI, NO, NZ, OM, PG, PH, PL,  
PT, RO, RS, RU, SC, SD, SE, SG, SK, SL, SM, SV, SY,  
TJ, TM, TN, TR, TT, TZ, UA, UG, US, UZ, VC, VN, ZA,  
ZM, ZW.

(84) Designated States (unless otherwise indicated, for every  
kind of regional protection available): ARIPO (BW, GH,  
GM, KE, LS, MW, MZ, NA, SD, SL, SZ, TZ, UG, ZM,  
ZW), Eurasian (AM, AZ, BY, KG, KZ, MD, RU, TJ, TM),  
European (AT, BE, BG, CH, CY, CZ, DE, DK, EE, ES, FI,  
FR, GB, GR, HU, IE, IS, IT, LT, LU, LV, MC, MT, NL, PL,  
PT, RO, SE, SI, SK, TR), OAPI (BF, BJ, CF, CG, CI, CM,  
GA, GN, GQ, GW, ML, MR, NE, SN, TD, TG).

[Continued on next page]

(54) Title: INFUSION MEDIUM DELIVERY DEVICE AND METHOD WITH COMPRESSIBLE OR CURVED RESERVOIR OR CONDUIT



(57) Abstract: A delivery device includes a durable housing portion (22) and a separable disposable portion (26) that selectively engage and disengage from each other. The disposable housing portion secures to the patient-user and may be disposed of after it has been in use for a prescribed period. Components that normally come into contact with a patient-user or with infusion media are supported by the disposable housing portion for disposal after the prescribed use, while the durable housing portion supports other components such as electronics for controlling delivery of infusion media from the reservoir and a drive device and drive linkage.

WO 2008/024812 A3



**Published:**

- *with international search report*
- *before the expiration of the time limit for amending the claims and to be republished in the event of receipt of amendments*

**(88) Date of publication of the international search report:**  
31 July 2008

**INTERNATIONAL SEARCH REPORT**

International application No  
PCT/US2007/076471

**A. CLASSIFICATION OF SUBJECT MATTER**

INV. A61M5/142      A61M5/145      A61M5/148      F04B43/02      F04B43/12

According to International Patent Classification (IPC) or to both national classification and IPC

**B. FIELDS SEARCHED**

Minimum documentation searched (classification system followed by classification symbols)  
A61M B65D F04B G01F

Documentation searched other than minimum documentation to the extent that such documents are included in the fields searched

Electronic data base consulted during the international search (name of data base and, where practical, search terms used)

EPO-Internal, WPI Data, PAJ

**C. DOCUMENTS CONSIDERED TO BE RELEVANT**

Category*	Citation of document, with indication, where appropriate, of the relevant passages	Relevant to claim No.
X	WO 2005/072795 A (M 2 MEDICAL AS [DK]; MERNOEE MORTEN [DK]) 11 August 2005 (2005-08-11)	1, 15
Y	page 16, lines 9-33; figures 1-27  page 18, lines 20-28 pages 22-24	2-14, 16-28
X	WO 2005/002649 A (NOVO NORDISK AS [DK]; RADMER JIM [DK]; KLINT HENRIK SOENDERSKOV [DK]) 13 January 2005 (2005-01-13)	1, 15
Y	page 19, line 16 - page 20, line 13; figures 1,7A-7C page 15, lines 7-20	2-14, 16-28
	----- -/--	

Further documents are listed in the continuation of Box C.

See patent family annex.

\* Special categories of cited documents :

- \*A\* document defining the general state of the art which is not considered to be of particular relevance
- \*E\* earlier document but published on or after the international filing date
- \*L\* document which may throw doubts on priority claim(s) or which is cited to establish the publication date of another citation or other special reason (as specified)
- \*O\* document referring to an oral disclosure, use, exhibition or other means
- \*P\* document published prior to the international filing date but later than the priority date claimed

- \*T\* later document published after the international filing date or priority date and not in conflict with the application but cited to understand the principle or theory underlying the invention
- \*X\* document of particular relevance; the claimed invention cannot be considered novel or cannot be considered to involve an inventive step when the document is taken alone
- \*Y\* document of particular relevance; the claimed invention cannot be considered to involve an inventive step when the document is combined with one or more other such documents, such combination being obvious to a person skilled in the art.
- \*&\* document member of the same patent family

Date of the actual completion of the international search

27 May 2008

Date of mailing of the international search report

05/06/2008

Name and mailing address of the ISA/

European Patent Office, P.B. 5818 Patentlaan 2  
NL - 2280 HV Rijswijk  
Tel. (+31-70) 340-2040, Tx. 31 651 epo nl,  
Fax: (+31-70) 340-3016

Authorized officer

Björklund, Andreas

## INTERNATIONAL SEARCH REPORT

International application No  
PCT/US2007/076471

C(Continuation). DOCUMENTS CONSIDERED TO BE RELEVANT

Category*	Citation of document, with indication, where appropriate, of the relevant passages	Relevant to claim No.
X	US 4 619 652 A (ECKENHOFF JAMES B [US] ET AL) 28 October 1986 (1986-10-28) column 7, line 43 - column 9, line 18; figures 1-6	1
Y	DE 272 700 C (PORGES JULES) 7 April 1914 (1914-04-07) the whole document	2-14, 16-28
Y	EP 0 988 868 A (SOULAS YVES [FR]) 29 March 2000 (2000-03-29) paragraphs [0006] - [0011]; figures 1-16	2-14, 16-28
Y	US 2005/177108 A1 (PAUL PATRICK J [US] ET AL) 11 August 2005 (2005-08-11)	33,50
A	paragraphs [0029] - [0034]; figures 1-9	1-28
X	US 2002/169439 A1 (FLAHERTY J CHRISTOPHER [US]) 14 November 2002 (2002-11-14) paragraphs [0049] - [0052], [0062], [0063], [7071], [0087] - [0090]; figures 1-8,11,12	29-63
X	US 2004/116862 A1 (RAY CLAUDE [CH]) 17 June 2004 (2004-06-17)	29-32, 34,36, 40-42, 46-49, 51,53, 58-60
Y	paragraphs [0036] - [0048]; figures 1-3	33,35, 37-39, 43-45, 50,52, 54-57, 61-63
X	US 6 203 296 B1 (RAY CLAUDE [CH] ET AL) 20 March 2001 (2001-03-20)	29-32, 34,36, 40-42, 46-49, 51,53, 58-60
Y	column 3, line 63 - column 6, line 62; figures 1-10	33,35, 37-39, 43-45, 50,52, 54-57, 61-63
	----- -/--	

## INTERNATIONAL SEARCH REPORT

International application No  
PCT/US2007/076471

C(Continuation). DOCUMENTS CONSIDERED TO BE RELEVANT

Category*	Citation of document, with indication, where appropriate, of the relevant passages	Relevant to claim No.
X	WO 2006/015301 A (BREG INC [US]; MASON JEFFREY [US]; YAP MARCH [US]; PADERI ELIZABETH [U]) 9 February 2006 (2006-02-09)	29-32, 34, 36, 40-42, 46-49, 51, 53, 58-60
Y	paragraphs [0040] - [0047]; figures 2-15	33, 35, 37-39, 43-45, 50, 52, 54-57, 61-63
Y	US 2002/062105 A1 (TANNER HOWARD M C [US] ET AL) 23 May 2002 (2002-05-23)  paragraphs [0037] - [0040]; figures 1-5	37-39, 43-45, 54-57, 61-63
Y	BE 685 301 A (DE VROY, EDMOND) 16 January 1967 (1967-01-16) page 1 page 6, paragraph 2 - page 8, paragraph 1; figures 7-9	35, 52
P, X	WO 2007/052277 A (MEDINGO LTD [IL]; YODFAT OFER [IL]; IDAN GAVRIEL J [IL]; NETA AVRAHAM) 10 May 2007 (2007-05-10) paragraphs [0158] - [0178]; figures 25-29	29-63
P, X	WO 2006/127905 A (CHRONO THERAPEUTICS INC [US]; HUANG JOSEPH ZHILI [US]; DIPIERRO GUY [U]) 30 November 2006 (2006-11-30) paragraphs [0064] - [0066]; figures 1-19	29-63
Y	US 4 793 239 A (EICKMANN KARL [JP]) 27 December 1988 (1988-12-27) column 3, line 12 - column 4, line 6; figures 1-3, 6, 7 column 8, lines 23-51	64-68
Y	WO 2004/032994 A (THERASENSE INC [US]) 22 April 2004 (2004-04-22) paragraphs [0022], [0027], [0028], [0030]; figures 1A-2C	64-68
A	EP 0 980 690 A (WESTON MEDICAL LTD [GB]) 23 February 2000 (2000-02-23) figures 1a-5	64-68
A	WO 2005/037350 A (NOVO NORDISK AS [DK]; HANSEN STEFFEN [DK]; LARSEN BJOERN GULLAK [DK];) 28 April 2005 (2005-04-28) page 26, lines 31-34; figures 1-1-27	64-68
	-/--	

## INTERNATIONAL SEARCH REPORT

International application No

PCT/US2007/076471

C(Continuation). DOCUMENTS CONSIDERED TO BE RELEVANT		
Category*	Citation of document, with indication, where appropriate, of the relevant passages	Relevant to claim No.
X	US 4 685 902 A (EDWARDS FLOYD V [US] ET AL) 11 August 1987 (1987-08-11) column 6, line 1 - column 8, line 24; figures 1-8 -----	69-88
X	DE 35 17 927 C1 (BRAUN MELSUNGEN AG) 24 July 1986 (1986-07-24) column 3, line 43 - column 5, line 26; figures 1-5 -----	69-88
X	US 4 044 764 A (SZABO ANTHONY W ET AL) 30 August 1977 (1977-08-30) column 5, line 4 - line 30; figures 1-6 -----	69-88
Y	US 4 525 164 A (LOEB MARVIN P [US] ET AL) 25 June 1985 (1985-06-25) figures 1-10 -----	2-14, 16-28
A		69-88
A	WO 81/01658 A (LOEB M; CEPURITIS T) 25 June 1981 (1981-06-25) abstract; figures 1-11 -----	69-88

# INTERNATIONAL SEARCH REPORT

International application No.  
PCT/US2007/076471

## Box No. II Observations where certain claims were found unsearchable (Continuation of item 2 of first sheet)

This international search report has not been established in respect of certain claims under Article 17(2)(a) for the following reasons:

1.  Claims Nos.:  
because they relate to subject matter not required to be searched by this Authority, namely:
  
2.  Claims Nos.:  
because they relate to parts of the international application that do not comply with the prescribed requirements to such an extent that no meaningful international search can be carried out, specifically:
  
3.  Claims Nos.:  
because they are dependent claims and are not drafted in accordance with the second and third sentences of Rule 6.4(a).

## Box No. III Observations where unity of invention is lacking (Continuation of item 3 of first sheet)

This International Searching Authority found multiple inventions in this international application, as follows:

see additional sheet

1.  As all required additional search fees were timely paid by the applicant, this international search report covers allsearchable claims.
2.  As all searchable claims could be searched without effort justifying an additional fees, this Authority did not invite payment of additional fees.
3.  As only some of the required additional search fees were timely paid by the applicant, this international search reportcovers only those claims for which fees were paid, specifically claims Nos.:
4.  No required additional search fees were timely paid by the applicant. Consequently, this international search report is restricted to the invention first mentioned in the claims; it is covered by claims Nos.:

### Remark on Protest

- The additional search fees were accompanied by the applicant's protest and, where applicable, the payment of a protest fee.
- The additional search fees were accompanied by the applicant's protest but the applicable protest fee was not paid within the time limit specified in the invitation.
- No protest accompanied the payment of additional search fees.

## FURTHER INFORMATION CONTINUED FROM PCT/ISA/ 210

This International Searching Authority found multiple (groups of) inventions in this international application, as follows:

## 1. claims: 1-28

The claims essentially define a delivery device comprising first and second housing portions, a reservoir defining an interior volume located in the first housing portion and a volume varying mechanism defining a border of the interior volume supported for motion in a curved path and methods of making such devices.

---

## 2. claims: 29-63

The claims essentially define delivery devices comprising first and second housing portions, a rotatable rotor, a conduit with a flexible portion supported by the first housing portion, a reservoir, and a drive device for the rotor supported by the second housing portion and methods of making such devices.

---

## 3. claims: 64-68

The claims essentially define delivery devices comprising a rotatable rotor supporting cam followers, a camming surface to move the cam followers, a fluid chamber having a volume associated with each cam follower, a flexible membrane arranged between each cam follower and its associated fluid chamber, inlet and outlet channels.

---

## 4. claims: 69-88

The claims essentially define delivery devices comprising first and second housing portions, a compressible reservoir located in the first housing portion, a compression mechanism operable on the reservoir and a drive device supported by the second housing and connectable to the reservoir to selectively cause relative movement between the reservoir and the compression mechanism and methods of making such devices.

---



## INTERNATIONAL SEARCH REPORT

Information on patent family members

International application No

PCT/US2007/076471

Patent document cited in search report		Publication date	Patent family member(s)	Publication date
WO 2005072795	A	11-08-2005	NONE	
WO 2005002649	A	13-01-2005	EP 1495775 A1 US 2006200073 A1	12-01-2005 07-09-2006
US 4619652	A	28-10-1986	NONE	
DE 272700	C		NONE	
EP 0988868	A	29-03-2000	FR 2783430 A1	24-03-2000
US 2005177108	A1	11-08-2005	AU 2005212323 A1 CA 2553194 A1 CN 1917911 A EP 1732624 A1 JP 2007521883 T WO 2005077438 A1	25-08-2005 25-08-2005 21-02-2007 20-12-2006 09-08-2007 25-08-2005
US 2002169439	A1	14-11-2002	US 2004204673 A1	14-10-2004
US 2004116862	A1	17-06-2004	WO 02081919 A1 EP 1249606 A1	17-10-2002 16-10-2002
US 6203296	B1	20-03-2001	WO 9811350 A1 DE 69709665 D1 DE 69709665 T2 EP 0927307 A1 ES 2171269 T3 FR 2753236 A1	19-03-1998 21-02-2002 22-08-2002 07-07-1999 01-09-2002 13-03-1998
WO 2006015301	A	09-02-2006	US 2007078377 A1 US 2007078380 A1	05-04-2007 05-04-2007
US 2002062105	A1	23-05-2002	US 2005191196 A1	01-09-2005
BE 685301	A	16-01-1967	NONE	
WO 2007052277	A	10-05-2007	US 2007106218 A1	10-05-2007
WO 2006127905	A	30-11-2006	US 2006271020 A1	30-11-2006
US 4793239	A	27-12-1988	NONE	
WO 2004032994	A	22-04-2004	AU 2003279237 A1 CA 2501825 A1 EP 1552146 A2 US 2005238503 A1 US 2004115067 A1	04-05-2004 22-04-2004 13-07-2005 27-10-2005 17-06-2004
EP 0980690	A	23-02-2000	JP 2000116771 A	25-04-2000
WO 2005037350	A	28-04-2005	AU 2004283018 A1 CA 2543545 A1 WO 2005039673 A2 EP 1696981 A2 JP 2007509661 T KR 20060099520 A US 2007021733 A1	06-05-2005 06-05-2005 06-05-2005 06-09-2006 19-04-2007 19-09-2006 25-01-2007

# INTERNATIONAL SEARCH REPORT

Information on patent family members

International application No PCT/US2007/076471
---

Patent document cited in search report	Publication date	Patent family member(s)	Publication date
WO 2005037350 A		US 2006264835 A1	23-11-2006
US 4685902 A	11-08-1987	NONE	
DE 3517927 C1	24-07-1986	NONE	
US 4044764 A	30-08-1977	NONE	
US 4525164 A	25-06-1985	DE 3241313 T0 EP 0077382 A1 GB 2108853 A WO 8203556 A1	20-09-1984 27-04-1983 25-05-1983 28-10-1982
WO 8101658 A	25-06-1981	CA 1156114 A1 EP 0041563 A1 GB 2076658 A IT 1174329 B JP 56501670 T SE 8104820 A	01-11-1983 16-12-1981 09-12-1981 01-07-1987 19-11-1981 13-08-1981