



US00D490890S

(12) **United States Design Patent**
Li

(10) **Patent No.:** **US D490,890 S**

(45) **Date of Patent:** **** Jun. 1, 2004**

(54) **PERCUTANEOUS ENDOSCOPIC GASTRONOMY DEVICE**

D323,887 S	*	2/1992	Picha et al.	D24/108
5,125,897 A	*	6/1992	Quinn et al.	604/99.03
D328,787 S	*	8/1992	Picha et al.	D24/108
5,865,816 A	*	2/1999	Quinn	604/523

(75) Inventor: **Changqing Li**, Ellettsville, IN (US)

(73) Assignee: **SciMed Life Systems, Inc.**, Maple Grove, MN (US)

(**) Term: **14 Years**

(21) Appl. No.: **29/181,032**

(22) Filed: **May 2, 2003**

(51) **LOC (7) Cl.** **24-01**

(52) **U.S. Cl.** **D24/108**

(58) **Field of Search** D24/108, 138;
604/96.01, 99.03, 104, 264, 523, 910, 916

(56) **References Cited**

U.S. PATENT DOCUMENTS

4,573,576 A	*	3/1986	Krol	206/471
4,863,438 A	*	9/1989	Gauderer et al.	604/247
D323,886 S	*	2/1992	Picha et al.	D24/108

* cited by examiner

Primary Examiner—Stella Reid

(74) *Attorney, Agent, or Firm*—Kriegsman & Kriegsman

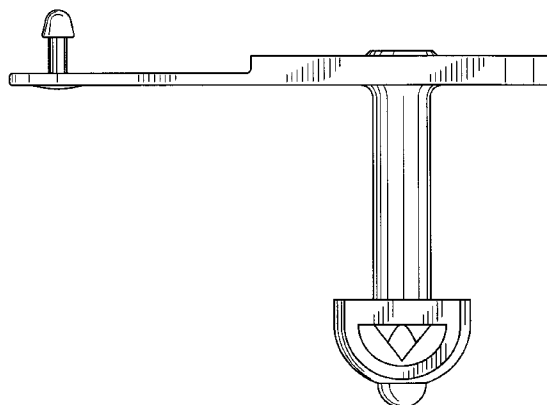
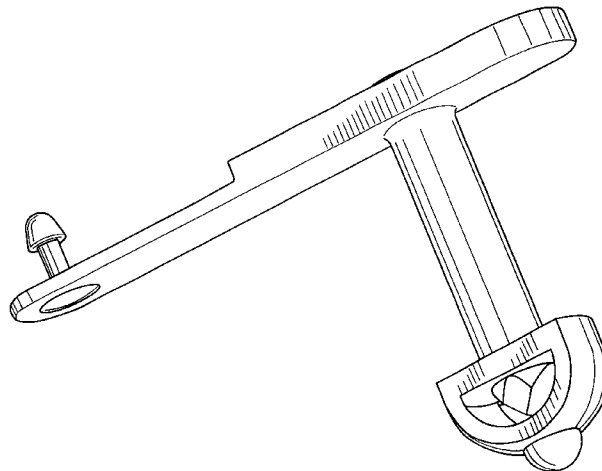
(57) **CLAIM**

The ornamental design for a percutaneous endoscopic gastronomy device, as shown and described.

DESCRIPTION

FIG. 1 is a perspective view of a percutaneous endoscopic gastronomy device, showing my new design;
 FIG. 2 is a left side view thereof;
 FIG. 3 is a front view thereof;
 FIG. 4 is a top view thereof;
 FIG. 5 is a right side view thereof;
 FIG. 6 is a rear view thereof; and,
 FIG. 7 is a bottom view thereof.

1 Claim, 3 Drawing Sheets



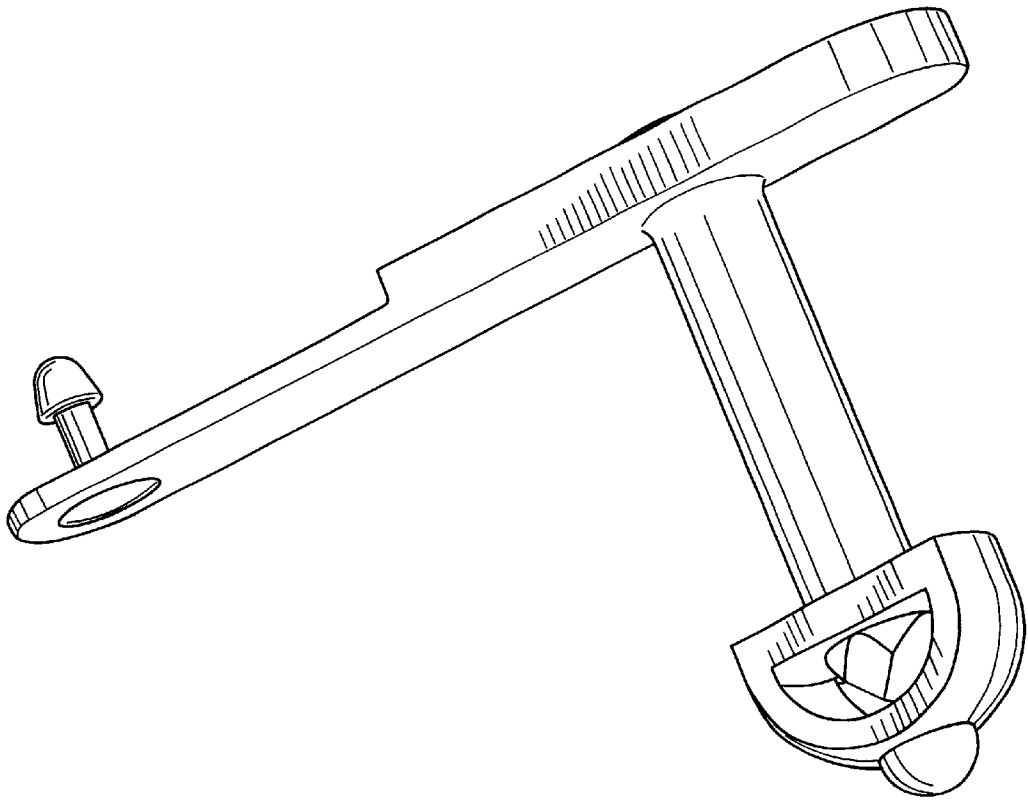


FIG. 1

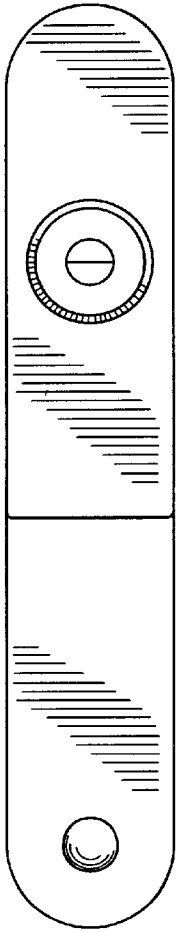


FIG. 4

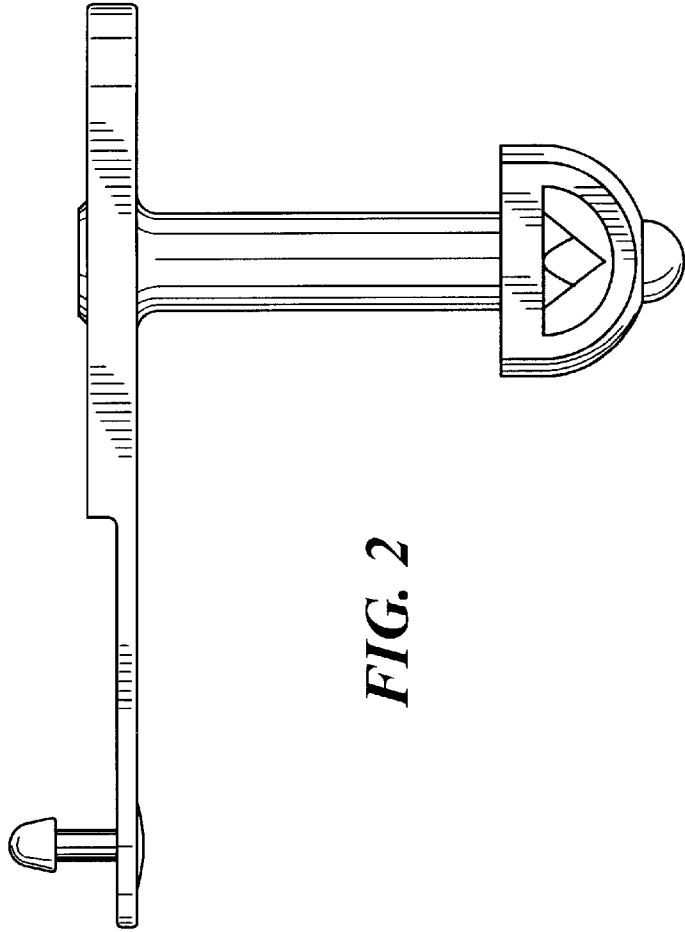


FIG. 2

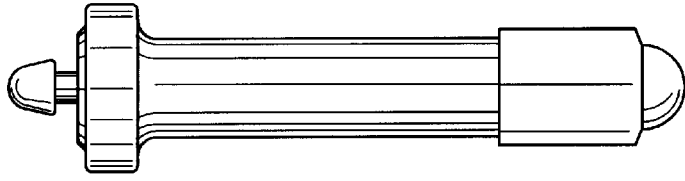


FIG. 3

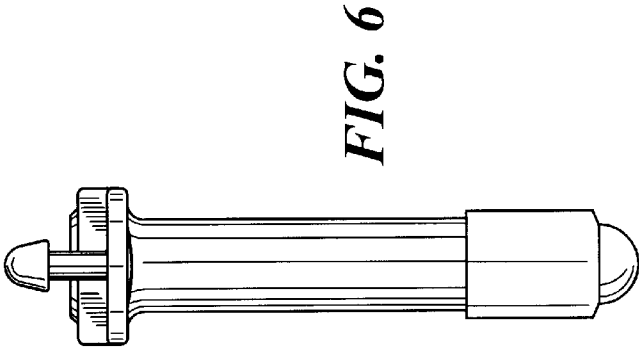


FIG. 6

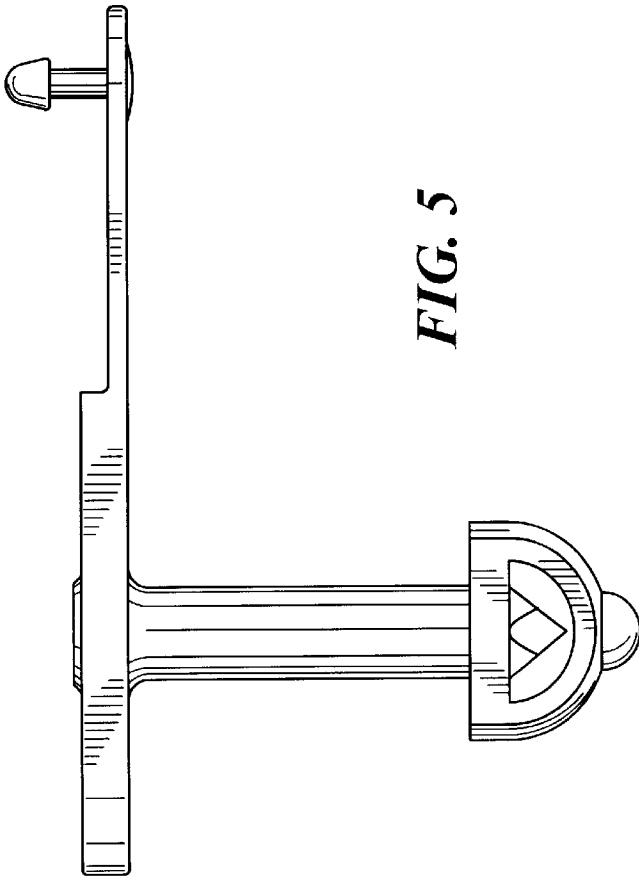


FIG. 5

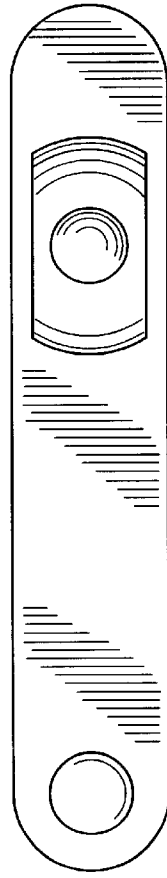


FIG. 7