



US00D706136S

(12) **United States Design Patent**
Roberts

(10) **Patent No.:** **US D706,136 S**

(45) **Date of Patent:** **** Jun. 3, 2014**

(54) **SUSPENSION PACKAGING**

(76) Inventor: **Larry Roberts**, Coral Springs, FL (US)

(**) Term: **14 Years**

(21) Appl. No.: **29/419,712**

(22) Filed: **May 1, 2012**

Related U.S. Application Data

(63) Continuation-in-part of application No. 13/417,919, filed on Mar. 12, 2012.

(51) **LOC (10) Cl.** **09-07**

(52) **U.S. Cl.**
USPC **D9/456**

(58) **Field of Classification Search**

USPC D9/456, 432, 433; D6/407, 632, 634, D6/585; D3/272, 313, 318, 319; 219/730; 206/521-594, 736-774; 426/107, 118, 426/124; 229/125.08, 125.28; 53/397, 449; D25/153; 283/157 R

See application file for complete search history.

(56) **References Cited**

U.S. PATENT DOCUMENTS

D26,685 S *	2/1897	Smith	D9/456
3,027,062 A *	3/1962	Huss et al.	229/125.28
D198,513 S *	6/1964	Caprioli	D9/456
D214,487 S *	6/1969	Reichl	D9/456
3,521,743 A	7/1970	Sposito		
3,853,220 A	12/1974	Luray		
4,470,538 A *	9/1984	Heathcock et al.	229/125.08
4,606,460 A	8/1986	Luray		
4,852,743 A	8/1989	Ridgeway		
4,865,200 A *	9/1989	Sullivan et al.	206/583
5,153,402 A *	10/1992	Quick et al.	219/730
5,218,510 A	6/1993	Bradford		
5,251,760 A *	10/1993	Smith et al.	206/583
5,323,896 A	6/1994	Jones		

5,388,701 A	2/1995	Ridgeway		
5,405,000 A	4/1995	Hagedon et al.		
5,678,695 A	10/1997	Ridgeway et al.		
5,722,541 A	3/1998	Lofgren et al.		
5,741,535 A *	4/1998	Cope et al.	426/124
5,762,200 A	6/1998	Goudreau		
5,894,932 A *	4/1999	Harding et al.	206/583
5,901,852 A	5/1999	Simpson		
5,967,327 A	10/1999	Jones		
5,975,307 A *	11/1999	Harding et al.	206/583
6,006,917 A	12/1999	Loeffler		
6,073,761 A	6/2000	Jones		
6,158,589 A	12/2000	Smith et al.		
6,223,901 B1	5/2001	Lofgren et al.		
6,289,655 B1	9/2001	Ridgeway et al.		
6,302,274 B1	10/2001	Ridgeway		
6,311,843 B1	11/2001	Smith et al.		
6,675,973 B1	1/2004	McDonald et al.		
6,685,025 B1 *	2/2004	Kari	206/583
7,086,534 B2	8/2006	Roesel et al.		

(Continued)

Primary Examiner — Susan Bennett Hattan

Assistant Examiner — Marie Fast Horse

(74) *Attorney, Agent, or Firm* — Malloy & Malloy, P.L.

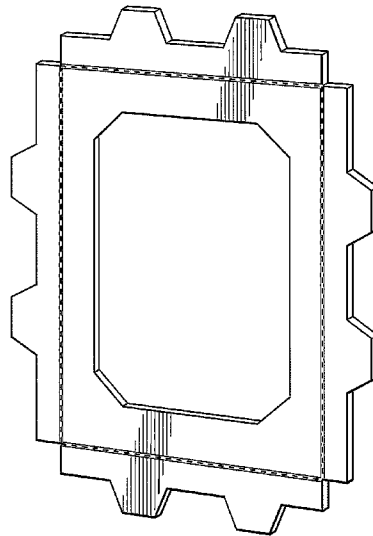
(57) **CLAIM**

The ornamental design for a suspension packaging, as shown and described.

DESCRIPTION

FIG. 1 is a front perspective view illustrating my design for a suspension packaging;
FIG. 2 is a front elevation view thereof;
FIG. 3 is a right side view thereof;
FIG. 4 is a top view thereof;
FIG. 5 is a left side view thereof;
FIG. 6 is a bottom view thereof; and,
FIG. 7 is a rear elevation view thereof.
Included in the claim are the evenly spaced broken lines shown in FIGS. 1, 2 and 7 which depict straight fold lines.

1 Claim, 3 Drawing Sheets



(56)

References Cited

U.S. PATENT DOCUMENTS

7,290,062 B2 10/2007 Henrion
7,290,662 B2 11/2007 Lofgren et al.
7,743,924 B2 6/2010 McDonald et al.

7,882,956 B2 2/2011 McDoald et al.
D667,305 S * 9/2012 Kuhn et al. D9/456
2001/0047950 A1 12/2001 Beneroff et al.
2008/0029419 A1 * 2/2008 Appelbaum 206/463
2009/0272667 A1 11/2009 McDonald et al.

* cited by examiner

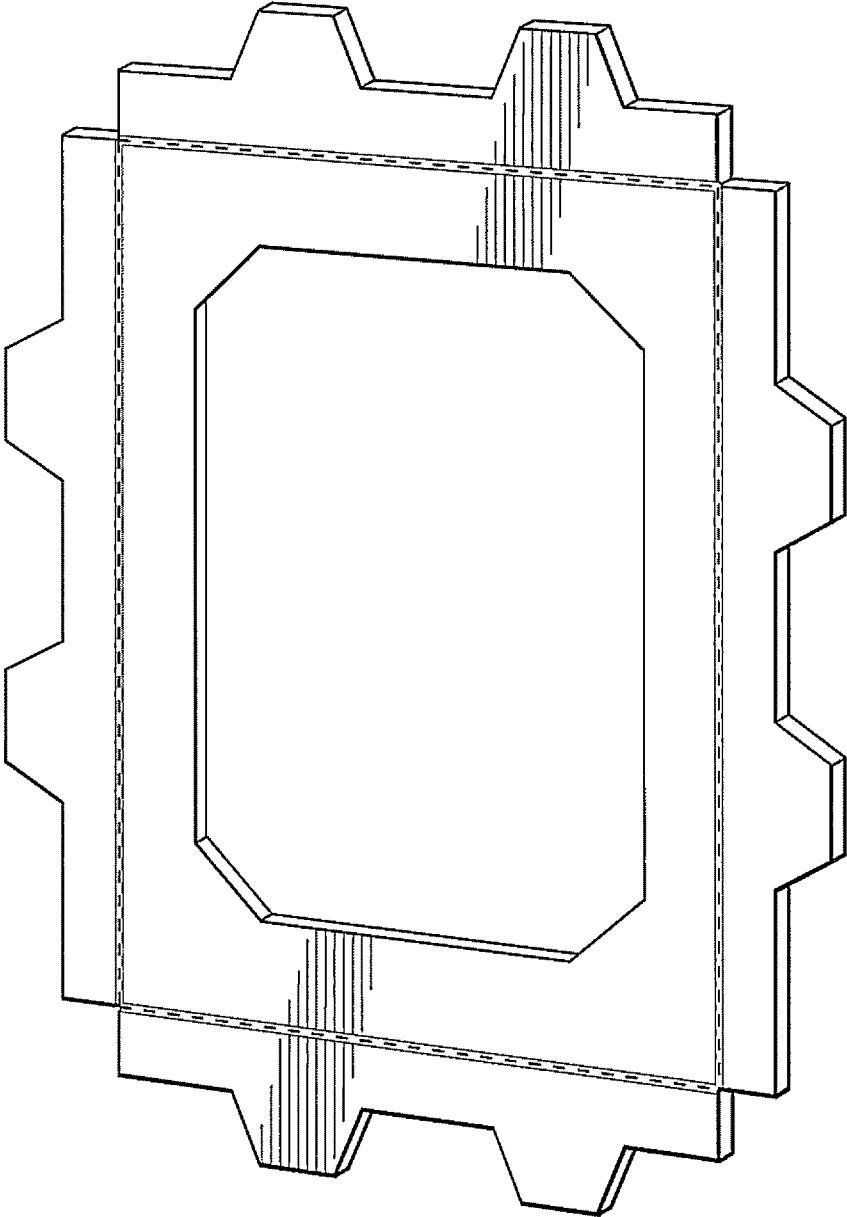


FIG. 1



FIG. 4



FIG. 3

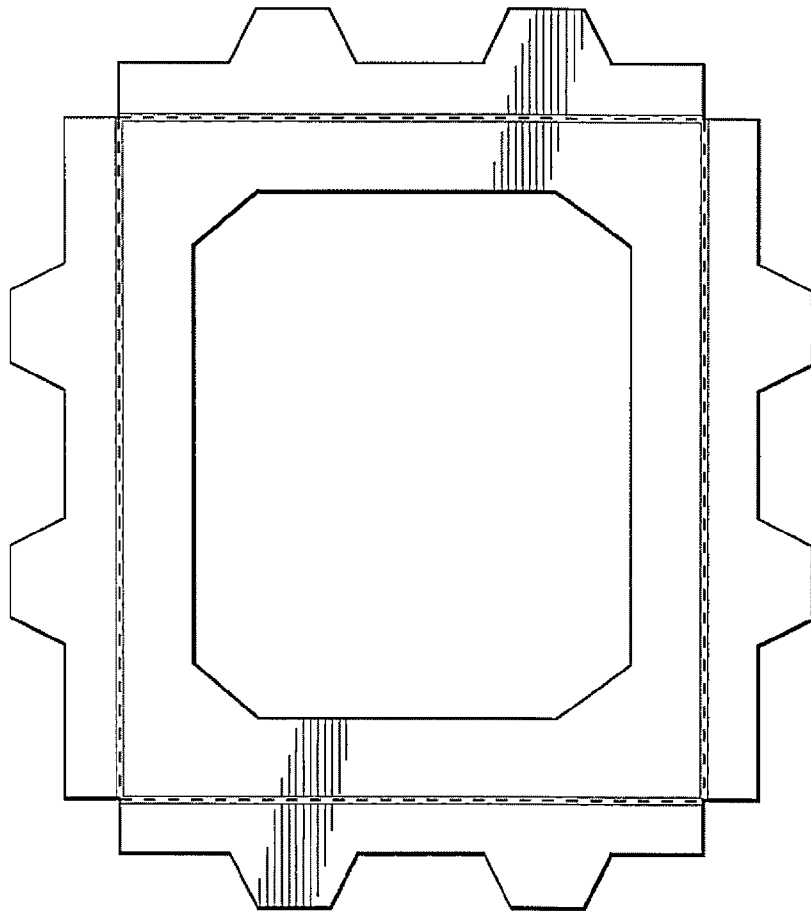


FIG. 2

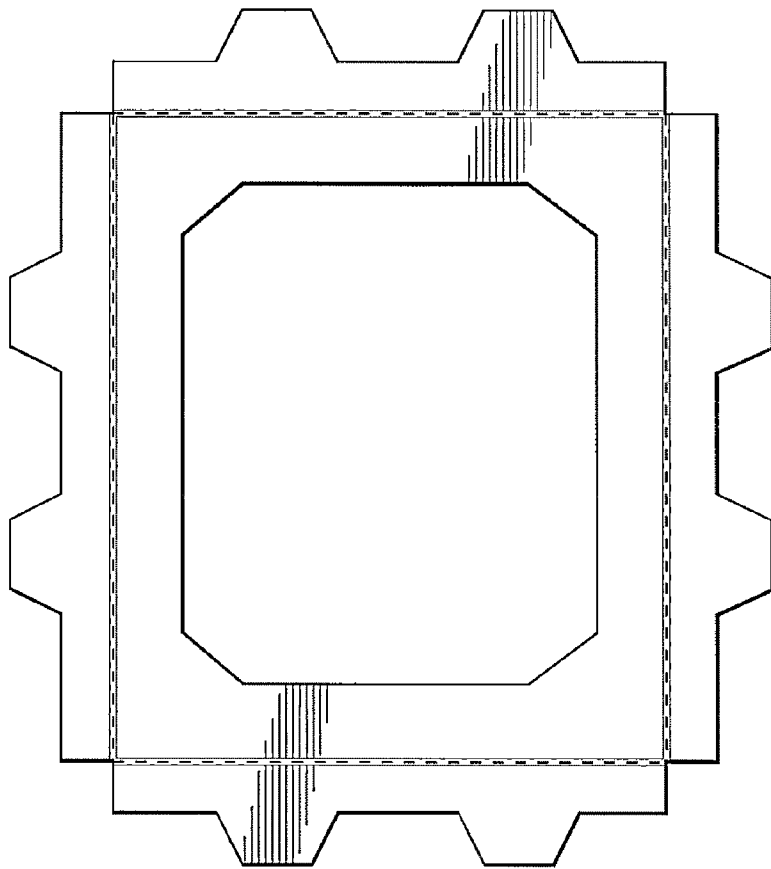


FIG. 7



FIG. 5

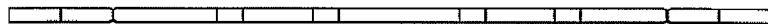


FIG. 6